

Product Specification

SPECIFICATION

For

APPROVAL

(●) Preliminary Specification (SIT Entry level)

() Final Specification

Title	13.3" XGA TFT LCD
-------	-------------------

BUYER NAME	
MODEL NAME	HOSHI-ZAME 3, 4

SUPPLIER	LG. Philips LCD
MODEL NAME	LP133X5-A2IB

SIGNATURE	DATE
_____ / _____	_____
_____ / _____	_____
_____ / _____	_____

Please return 1 copy for our confirmation with your signature and comments.

APPROVED BY	DATE
<u>S. H. Kang / G.Manager</u>	_____
REVIEWED BY	
<u>S. C. Yoon / S.Engineer</u>	_____
PREPARED BY	
<u>J. C. Hong / S.Engineer</u>	_____

**Product Engineering Dept.
LCD Division LG.Philips LCD**

Product Specification

CONTENTS

NO.	ITEM	Page
-	COVER	1
-	CONTENTS	2
-	RECORD of REVISION	3
1.	GENERAL DESCRIPTION	4
2.	MAXIMUM RATINGS	5
3.	ELECTRICAL SPECIFICATIONS	5
4.	OPTICAL SPECIFICATIONS	6
5.	ENVIRONMENT	7
6.	INTERFACE CONNECTION	8
7.	SIGNAL TIMING SPECIFICATIONS	9
8.	SIGNAL TIMING WAVE FORMS	10
9.	COLOR INPUT DATA REFERENCE	11
10.	POWER SEQUENCE	12
11.	MECHANICAL CHARACTERISTICS	13-14
12.	COSMETICS	15
13.	RELIABILITY	16
14.	SAFETY	16
15.	PACKAGING	16
16.	SMOKE FREE DESIGN	16
17.	PERFORMANCE	16
18.	PRECAUTIONS	17-18
-	APPENDIX	19-20

Product Specification

Record of Revision

DATE AND VERSION	DESCRIPTION
15/03/99. Version 1.0	Preliminary Specification (DV Entry level)
24/03/99. Version 2.0	Preliminary Specification (DV Entry level) page 5: Change of <u>3. Electrical Specifications</u> (Refer to Table 2) <ul style="list-style-type: none"> • Module Part - Power Supply Input Current (I_{DD}) <ul style="list-style-type: none"> - Ripple/Noise - Logic Input Level, Low (V_{IL}) - Power Consumption (P_C) • Backlight Part - Lamp Start-up Voltage page 6: Change of <u>4. Optical Specifications</u> (Refer to Table 3) <ul style="list-style-type: none"> • CIE Color Coordinates page 13: Change of <u>11. Mechanical Specifications</u> <ul style="list-style-type: none"> • Weight : 485±10g → 485g(TYP.), 500g(MAX.)
24/04/99. Version 3.0	Preliminary Specification (BBFV Entry level) page 5: Change of <u>3. Electrical Specifications</u> (Refer to Table 2) <ul style="list-style-type: none"> • Module Part - Power Supply Input Current (I_{DD}) <ul style="list-style-type: none"> : 0.200A(TYP.) →0.190A(TYP.) - Power Consumption (P_C) <ul style="list-style-type: none"> : 1.00W(TYP.) →0.95W(TYP.) page 6: Change of <u>4. Optical Specifications</u> (Refer to Table 3) <ul style="list-style-type: none"> • Contrast Ratio: 80(MIN.), 100(TYP.) → 100(MIN.), 200(TYP.)
27/07/99. Version 4.0	Preliminary Specification (SIT Entry level) page 5: Change of <u>6. Interface Connections</u> (LCM Bottom view) page 14: Change of <u>11. Mechanical Characteristics</u> <LCM BACK SIDE >

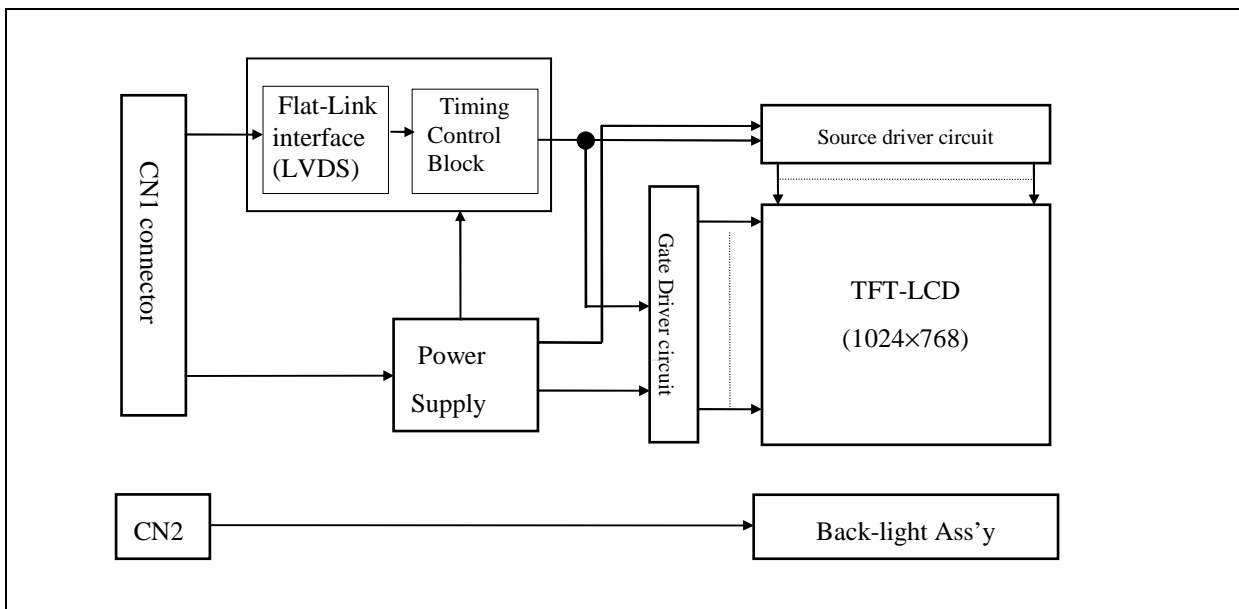
Product Specification

1. General Description

The LG LCD Inc. model LP133X5-A2IB LCD is a Color Active Matrix Liquid Crystal Display with an integral Cold Cathode Fluorescent Tube(CCFT) back light system. The matrix employs a-Si Thin Film Transistor as the active element. It is a transmissive type display operating in the normally white mode. This TFT-LCD has a 13.3 inch diagonally measured active display area with XGA resolution(768 vertical by 1024 horizontal pixel array). Each pixel is divided into Red, Green and Blue sub-pixels or dots which are arranged in vertical stripes. Gray scale or the brightness of the sub-pixel color is determined with a 6-bit gray scale signal for each dot, thus, presenting a palette of 262,144 colors.

LP133X5-A2IB has been designed to apply the interface method that enables low power, high speed and low EMI. Flat Link must be used as a LVDS(Low Voltage Differential Signaling) chip.

The LP133X5-A2IB LCD is intended to support applications where thin thickness, low power are critical factors and graphic displays are important. In combination with the vertical arrangement of the sub-pixels, the LP133X5-A2IB characteristics provide an excellent flat panel display for office automation products such as Notebook PC.



General Display Characteristics

The following are general feature of the model LP133X5-A2IB LCD;

- Active display area 13.3 inches(33.78cm) diagonal
- Outsize dimensions 292(H) × 215(V) × 6.5(W) mm(typ.)
- Pixel pitch 0.264 mm × 0.264 mm
- Pixel format 1024 horiz. By 768 vert. pixels
- RGB stripe arrangement
- Color depth 6-bit, 262,144 colors
- Display operating mode transmissive mode, normally white
- Surface treatments hard coating(3H),
 anti-glare treatment of the front polarizer

Product Specification

2. Maximum Ratings

The following are maximum values which, if exceeded, may cause faulty operation or damage to the unit.

Table 1 ABSOLUTE MAXIMUM RATINGS

Parameter	symbol	Values		Units	Notes
		Min.	Max.		
Power Input Voltage	V _{DD}	-0.5	+5.5	Vdc	at 25 °C Flat-Link Tx 1
Operating Temperature	T _{OP}	0	+50	°C	
Storage Temperature	T _{ST}	-20	+60	°C	

Note: 1. The Relative Humidity must not exceed 95% non-condensing at temperatures of 40 °C or less.
At temperatures greater than 40 °C, the wet bulb temperature must not exceed 39 °C.

3. Electrical Specifications

Table 2 ELECTRICAL CHARACTERISTICS

Parameter	Symbol	Values			Units	Notes
		Min.	Typ.	Max.		
MODULE:						
Power Supply Input Voltage	V _{DD}	4.5	5.0	5.5	Vdc	
Power Supply Input Current	I _{DD}	-	0.190	0.230	A	1
Ripple/Noise	-	-	-	200	mV	
Logic Input Level, High	V _{IH}	2.0	-	V _{DD} +0.3	Vdc	2
Logic Input Level, Low	V _{IL}	0	-	1.0	Vdc	2
Power Consumption	P _c	-	0.95	1.15	Watts	1
BACK LIGHT						
Back light Input voltage	V _{BL}	473	528	560	V _{RMS}	
Back-light Current	I _{BL}	3.0	3.8	7.0	mA _{RMS}	
Lamp Start-up Voltage		750	-	-	V _{RMS}	25 ± 2 °C
		1050	-	-	V _{RMS}	
Operating Frequency	F _{BL}	-	55	-	KHz	0 °C
Power Consumption	P _{BL}	-	2.00	3.31	Watts	3

Notes: 1. The current draw and power consumption specified is for 5.0 Vdc at 25 °C and fv at 60Hz.
(at Black pattern displayed)

- Logic levels are specified for 3.3Vdc at Flat-Link chips, transmitter & receiver. The values specified apply to all logic inputs to Flat-Link; data enable, clock, data signals, etc.
- The back-light current consumption shown above does not include loss of external inverter.

Product Specification

4. Optical Specifications

Optical characteristics are determined after the unit has been ‘ON’ and stable for approximately 30 minutes in a dark environment at 25°C. The values specified are at an approximate distance 50cm from the LCD surface at a viewing angle of Φ and θ equal to 0°.

Appendix A presents additional information concerning the specified characteristics.

Table 3 OPTICAL CHARACTERISTICS

Parameter	Symbol	Values			Units	Notes
		Min.	Typ.	Max.		
Contrast Ratio	CR	100	200	-		1
Surface Brightness, white	SB _{WH}	-	90 150	-	cd/m ²	(I _{BL} =3.8mA _{RMS}) ² (I _{BL} =7.0mA _{RMS})
Brightness Variation	SB _V	-	1.25	1.45		3
Response Time						
Rise Time	Tr				msec	4
Decay Time	Tr _R Tr _D	-	30	50		
CIE Color Coordinates						
Red	x _R y _R		0.540 0.308	0.570 0.338	0.600 0.368	
Green	x _G y _G		0.280 0.533	0.310 0.563	0.340 0.593	
Blue	x _B y _B		0.128 0.127	0.158 0.157	0.188 0.187	
White	x _W y _W		0.282 0.326	0.310 0.346	0.338 0.366	
Viewing Angle					degree °	5
x axis, right ($\Phi=0^\circ$)	θ_x	+40	-	-		
x axis, left ($\Phi=180^\circ$)	θ_x	-40	-	-		
y axis, up ($\Phi=90^\circ$)	θ_y	+10	-	-		
y axis, down ($\Phi=270^\circ$)	θ_y	-30	-	-		
Flicker			-20	-18	dB	6

Notes 1. Contrast Ratio (CR) is defined mathematically as :

$$\text{(Surface Brightness with all white pixels)} \div \text{(Surface Brightness with all black pixels)}$$

2. Surface brightness is the center point across the LCD surface 50cm from the surface with all pixels displaying white. For more information see Appendix A - 1.

3. The variation in surface brightness, SB_V is determined by measuring B_{ON} at each test position 0 through 9, and then dividing the maximum B_{ON} of 9 points luminance by minimum B_{ON} of 9 points luminance. For more information see Appendix A - 1.

$$SB_V = \text{Maximum (B}_{ON1}, B_{ON2}, \dots, B_{ON9})} \div \text{Minimum (B}_{ON1}, B_{ON2}, \dots, B_{ON9})}$$

4. Response time is the time required for the display to transition from white to black (Rise Time, Tr_R) and from black to white (Decay Time, Tr_D). For additional information see Appendix A - 2.

5. Viewing angle is the angle at which the contrast ratio is greater than 10. The angles are determined for the horizontal or x axis and the vertical or y axis with respect to the z axis which is normal to the LCD surface. For more information see Appendix A - 3

6. When the lcd is refreshed at 60Hz rate with the backlight on, there are no noticeable flicker at green dot level 31 when the screen is viewed with the naked eye.

Product Specification

Table 4 Luminance of Grey Level

Gray Level	Luminance (%) (min)	Luminance (%) (max)
L0	0.0	1.4
L7	0.0	2.0
L15	0.0	10.0
L23	3.0	29.0
L31	10.0	53.0
L39	27.0	80.0
L47	51.0	93.0
L55	78.0	100
L63	100	100

5. Environment

- 5.1 Altitude : operating 0 - 10,000 feet (3048m)
storage/shipment 0 - 40,000 feet (12192m)
- 5.2 Corrosive gas : use at indoor & outdoor in a big city.
- 5.3 Environment test condition

No.	Test ITEM	Conditions
1	High temperature storage test	Ta = 60 °C 240h
2	Low temperature storage test	Ta = -20 °C 240h
3	High temperature & high humidity operation test	Ta = 40 °C 95%RH 240h (no condensation)
4	High temperature operation test	Ta = 50 °C 240h
5	Low temperature operation test	Ta = 0 °C 240h
6	Vibration test (non-operating)	Sine wave, 10~500~10Hz, 1.5G, 0.37oct/min, 3 axis, 1 hour/axis
7	Shock test (non-operating)	- half sine wave, 100G, 6ms, one shock of each six faces (i.e. run 100G 6ms for all six faces.) - square wave, 50G, 18ms. (for box packaging)

{Result Evaluation Criteria}

There should be no change which might affect the practical display function when the display quality test is conducted under normal operating condition.

Product Specification

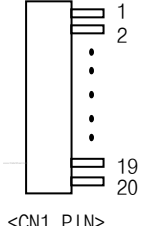
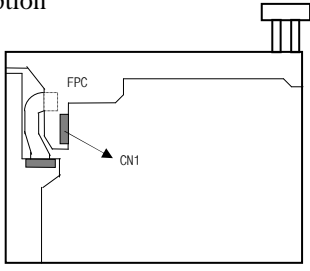
6. Interface Connections

Interface chip must be used Flat-Link, part No. THC63LVDM63A(Transmitter), KZ4E038C12CFP(THC63LVDF64A<Receiver> + Timing Controller) made by THine Microsystems,Inc. This LCD employs two interface connections, a 20 pin connector is used for the module electronics and two connectors is used for the integral back-light system.

The electronics interface connector is a model FI-SEB20P manufactured by JAE. The pin configuration for the connector is shown in the table below.

Table 5 MODULE CONNECTOR PIN CONFIGURATION (CN1)

Pin	Symbol	Description	Notes
1	VDD	Power (5V)	1. Interface chips 1.1 LCD : KZ4E038C12CFP 100TQ (THC63LVDF64A+Timing Controller) 1.2 System : THC63LVDM63A 48TSSOP * Pin to Pin compatible with TI LVDS 2. Connector 2.1 LCD : FI-SEB20P-HF13(JAE) or 15020-2040(UJU Electronics) 2.2 System : FI-WEB21P-HF 2.3 Connector pin arrangement 3.PIN 3,4: 3.3V Option
2	VDD	Power (5V)	
3	RETURN	Ground	
4	RETURN	Ground	
5	NC	No Connection	
6	NC	No Connection	
7	GND	Ground	
8	A0M	Difference Signal	
9	A0P	Difference Signal	
10	GND	Ground	
11	A1M	Difference Signal	
12	A1P	Difference Signal	
13	GND	Ground	
14	A2M	Difference Signal	
15	A2P	Difference Signal	
16	GND	Ground	
17	CLKM	Difference Signal	
18	CLKP	Difference Signal	
19	GND	Ground	
20	NC	No Connection	

<CN1 PIN> LCM Bottom view

The back-light interface connector is a model BHSR-02VS-1, manufactured by JST. The mating connector part number is SM02B-BHSS-1 or equivalent. The pin configuration for the connector is shown in the table below.

Table 6 BACK-LIGHT CONNECTOR PIN CONFIGURATION(CN2)

Pin	Symbol	Description	Wire color
1	HV	Lamp high voltage input	Pink
2	LV	Lamp low voltage input	White

Product Specification

7. Signal Timing Specification(Between Flat-Link and Timing Controller

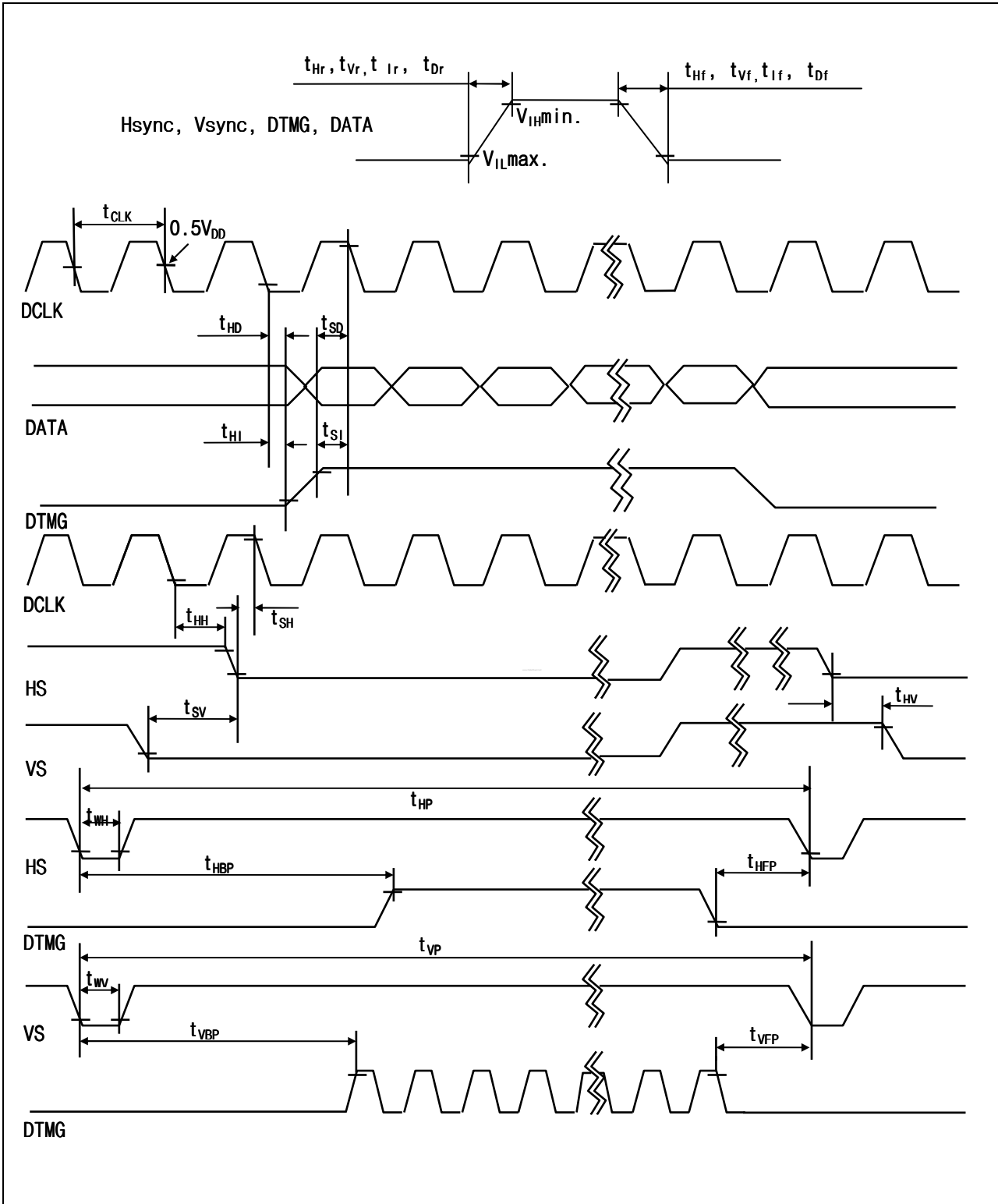
This is the signal timing required at the input of the LVDS transmitter inside system. All of the interface signal timing should be satisfied with the following specifications for it's proper operation.

Table 7 Timing Table

	ITEM	SYMBOL	MIN.	TYP.	MAX.	UNIT	NOTE
DCLK	Period	t_{CLK}	14.3	15.4	16.7	ns	65MHz (typ.)
Hsync	Set up Time	t_{SH}	5	-	-	ns	for DCLK
	Hold Time	t_{HH}	5	-	-		
	Period	t_{HP}	1206	1344	1364	t_{CLK}	
	Width-Active	t_{WH}	8	136	240		
	Rise/Fall Time	t_{Hr}, t_{Hf}	-	-	10	ns	
Vsync	Set up Time	t_{SV}	0	-	-	t_{CLK}	for Hsync
	Hold Time	t_{HV}	2	-	-		
	Period	t_{VP}	780	806	830	t_{HP}	
	Width-Active	t_{WV}	1	-	24		
	Frame Rate	V_{FR}	55	60	70	Hz	
	Rise/Fall Time	t_{Vr}, t_{Vf}	-	-	30	ns	
DTMG	Set up Time	t_{SI}	5	-	-	ns	for DCLK
	Hold Time	t_{HI}	5	-	-		
	Rise/Fall Time	t_{Ir}, t_{If}	-	-	10	ns	
	Horizontal Back Porch	t_{HBP}	10	-	-	t_{CLK}	
	Horizontal Front Porch	t_{HFP}	10	-	-		
	Vertical Back Porch	t_{VBP}	2	-	-	t_{HP}	
	Vertical Front Porch	t_{VFP}	1	-	-		
DATA	Set up Time	t_{SD}	5	-	-	ns	for DCLK
	Hold Time	t_{HD}	5	-	-		
	Rise/Fall Time	t_{Dr}, t_{Df}	-	-	5	ns	

Product Specification

8. Signal Timing Wave form



Product Specification

9. Color Input Data Reference

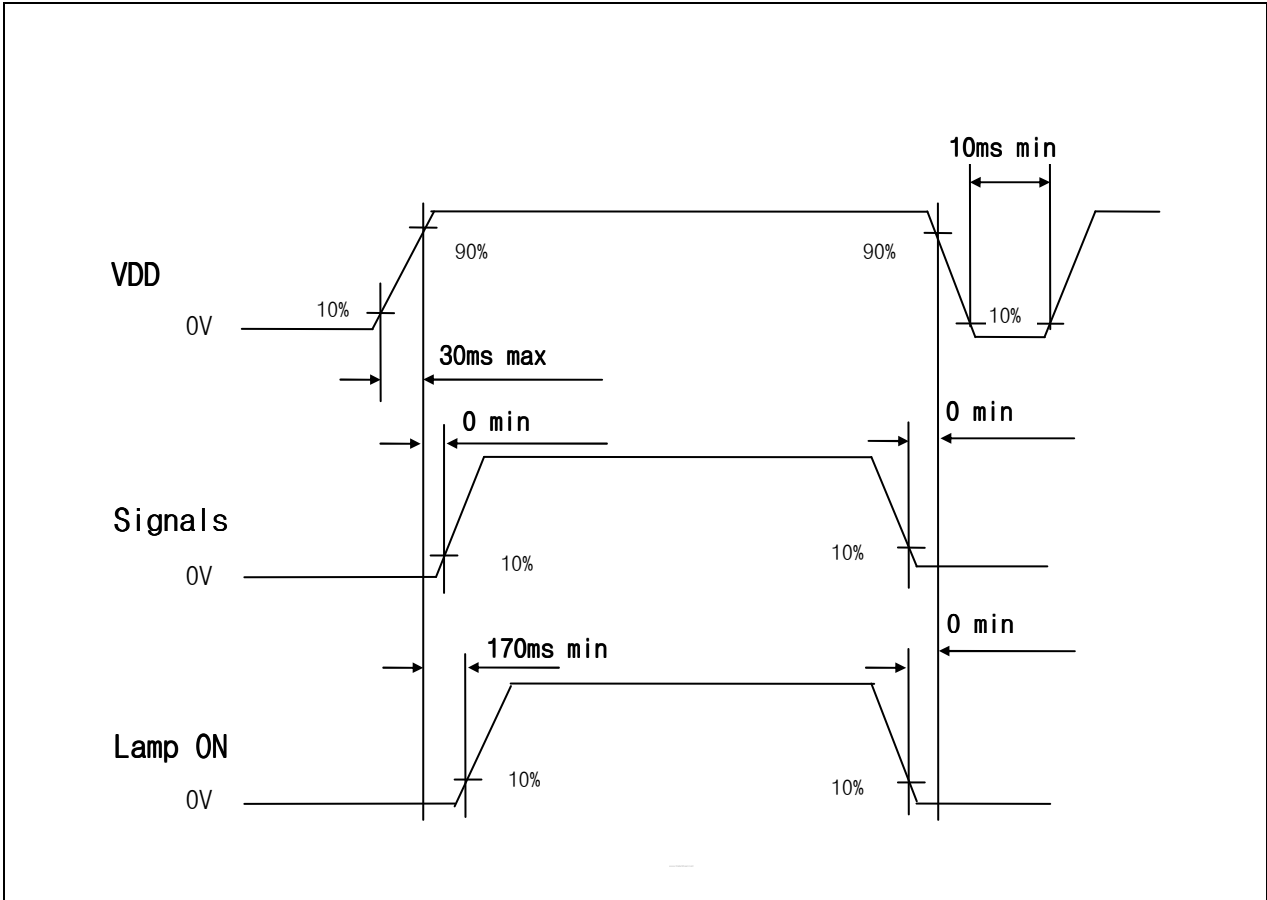
The brightness of each primary color(red, green and blue) is based on the 6-bit gray scale data input for the color; the higher the binary input, the brighter the color. The table below provides a reference for color versus data input.

Table 8 COLOR DATA REFERENCE

Color		Input Color Data																	
		Red						Green						Blue					
		MSB		LSB				MSB		LSB				MSB		LSB			
		R5	R4	R3	R2	R1	R0	G5	G4	G3	G2	G1	G0	B5	B4	B3	B2	B1	B0
Basic Colors	Black	0	0	0	0	0	0	0	0	0	0	0	0	0	0	0	0	0	0
	Red(63)	1	1	1	1	1	1	0	0	0	0	0	0	0	0	0	0	0	0
	Green(63)	0	0	0	0	0	0	1	1	1	1	1	1	0	0	0	0	0	0
	Blue(63)	0	0	0	0	0	0	0	0	0	0	0	0	1	1	1	1	1	1
	Cyan	0	0	0	0	0	0	1	1	1	1	1	1	1	1	1	1	1	1
	Magenta	1	1	1	1	1	1	0	0	0	0	0	0	1	1	1	1	1	1
	Yellow	1	1	1	1	1	1	1	1	1	1	1	1	0	0	0	0	0	0
	White	1	1	1	1	1	1	1	1	1	1	1	1	1	1	1	1	1	1
Red	Red(00) Dark	0	0	0	0	0	0	0	0	0	0	0	0	0	0	0	0	0	0
	Red(01)	0	0	0	0	0	1	0	0	0	0	0	0	0	0	0	0	0	0
	Red(02)	0	0	0	0	1	0	0	0	0	0	0	0	0	0	0	0	0	0
	:	:	:	:	:	:	:	:	:	:	:	:	:	:	:	:	:	:	:
	Red(61)	1	1	1	1	0	1	0	0	0	0	0	0	0	0	0	0	0	0
	Red(62)	1	1	1	1	1	0	0	0	0	0	0	0	0	0	0	0	0	0
	Red(63) Bright	1	1	1	1	1	1	0	0	0	0	0	0	0	0	0	0	0	0
Green	Green(00)Dark	0	0	0	0	0	0	0	0	0	0	0	0	0	0	0	0	0	0
	Green(01)	0	0	0	0	0	0	0	0	0	0	0	1	0	0	0	0	0	0
	Green(02)	0	0	0	0	0	0	0	0	0	0	1	0	0	0	0	0	0	0
	:	:	:	:	:	:	:	:	:	:	:	:	:	:	:	:	:	:	:
	Green(61)	0	0	0	0	0	0	1	1	1	1	0	1	0	0	0	0	0	0
	Green(62)	0	0	0	0	0	0	1	1	1	1	1	0	0	0	0	0	0	0
Green(63)Bright	0	0	0	0	0	0	1	1	1	1	1	1	0	0	0	0	0	0	
Blue	Blue(00) Dark	0	0	0	0	0	0	0	0	0	0	0	0	0	0	0	0	0	0
	Blue(01)	0	0	0	0	0	0	0	0	0	0	0	0	0	0	0	0	0	1
	Blue(02)	0	0	0	0	0	0	0	0	0	0	0	0	0	0	0	0	1	0
	:	:	:	:	:	:	:	:	:	:	:	:	:	:	:	:	:	:	:
	Blue(61)	0	0	0	0	0	0	0	0	0	0	0	0	1	1	1	1	0	1
	Blue(62)	0	0	0	0	0	0	0	0	0	0	0	0	1	1	1	1	1	0
Blue(63) Bright	0	0	0	0	0	0	0	0	0	0	0	0	1	1	1	1	1	1	

Product Specification

10. Power On/Off Sequence



- Notes :
1. Please avoid floating state of interface signal at invalid period.
 2. When the interface signal is invalid, be sure to pull down the power supply for LCD V_{DD} to 0V.

Product Specification

11. Mechanical Characteristics

The chart below provides general mechanical characteristics for the model LP133X5-A2IB LCD. In addition, the figure below is a detailed mechanical drawing of the LCD. Note that dimension are given for reference purposes only.

Outside dimensions :

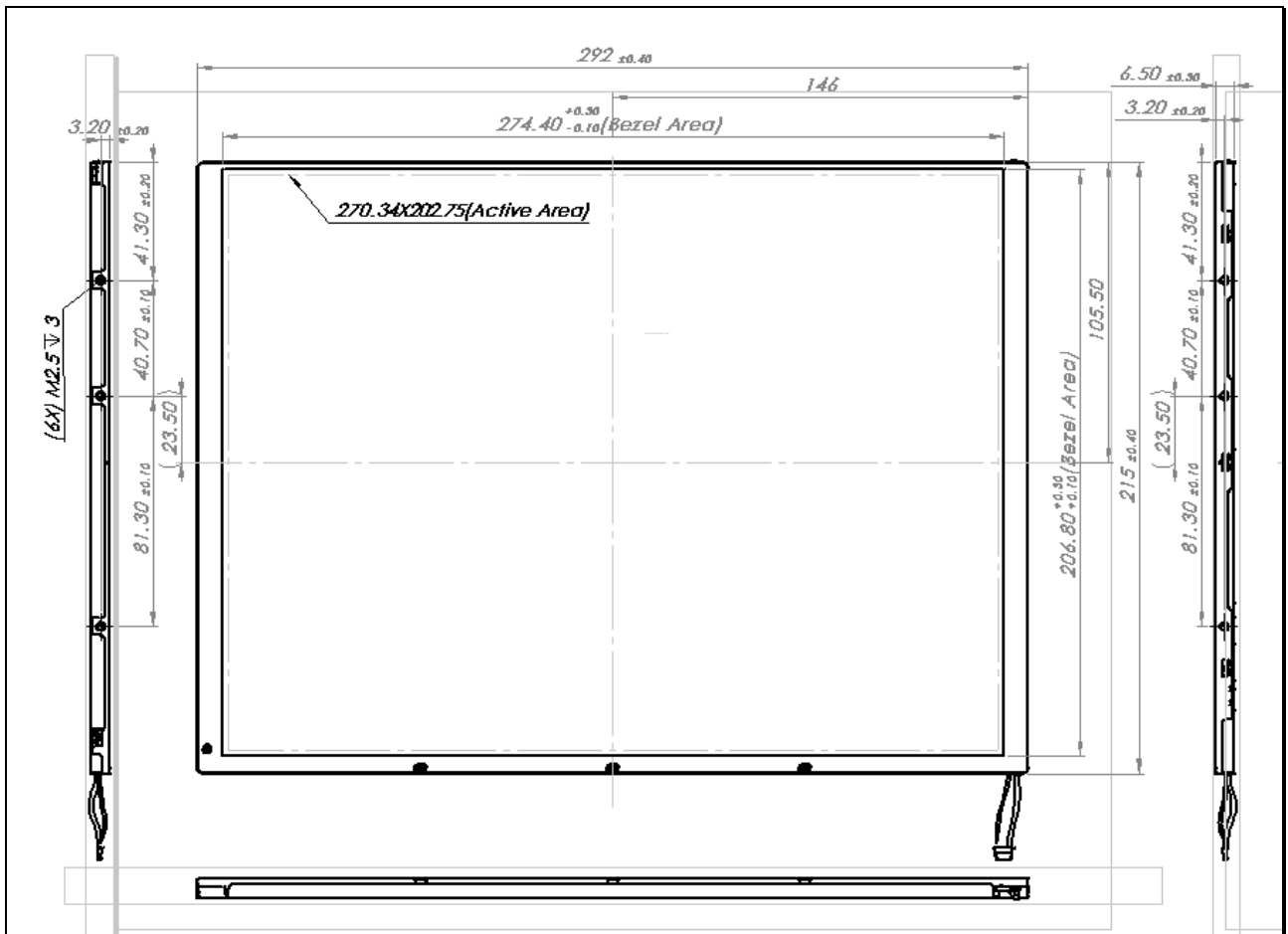
Width	292 mm(TYP.)
Height	215 mm(TYP.)
Thickness	6.5 mm(TYP.)

Active Display area :

Width	270.34 mm
Height	202.75 mm

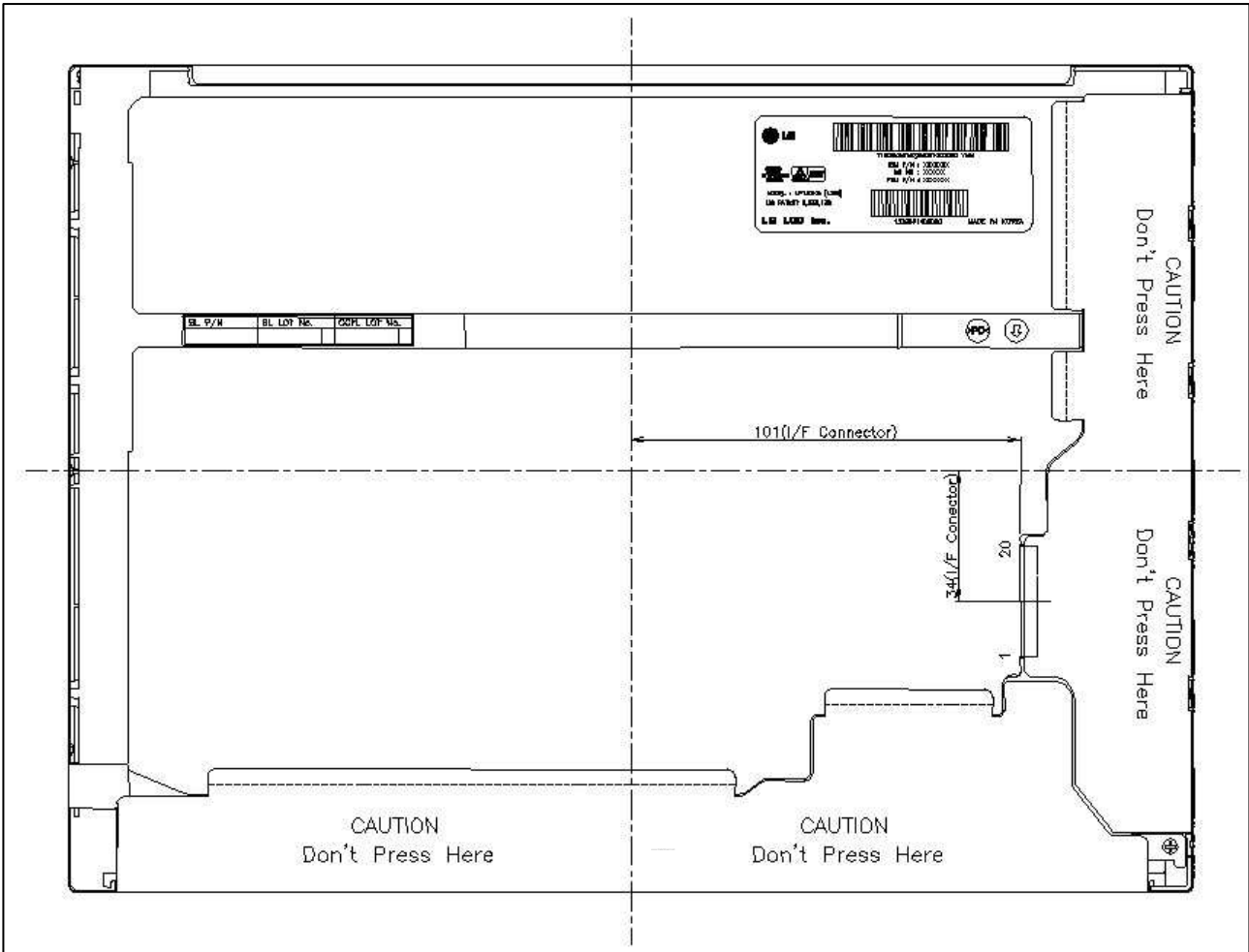
Weight (approximate) : 485g (TYP.), 500g(MAX.)

< LCM FRONT SIDE >



Product Specification

<LCM BACK SIDE>



Product Specification

12. COSMETICS

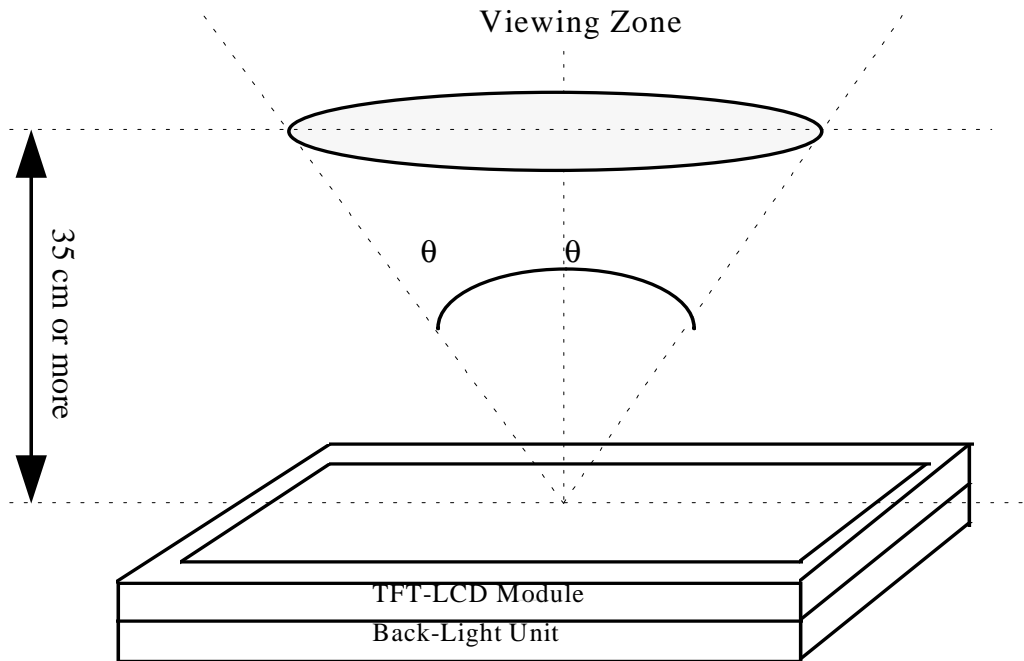
This cosmetic inspection is related to the acceptance quality levels of any defects in the LCD module which we produce.

For more information about the following , contact LG LCD Inc. any time.

12.1 Cosmetic Inspection Conditions

12.1.1 Inspective viewing angle

- This inspection should be executed according to the following figure.



- Viewing angle should be in the range of :

- $q < 45^\circ$ when non-operating inspection
- $q < 20^\circ$ when operating inspection (Horizontal direction)
- $q < 10^\circ$ when operating inspection (Vertical direction)

12.1.2 Environment Conditions

- Ambient temperature : $25 \pm 5^\circ\text{C}$
- Ambient Humidity : $65 \pm 5\% \text{ RH}$
- Ambient Lumination : Using single 20 watts fluorescent lamp (about 500 lux)

Product Specification

13. Reliability

13.1 Mean Time Between Failure

: The LCD Panel and interface board assembly (excluding the CCFTs) shall have a mean time between failures of 30,000 hours with a confidence level 90%.

13.2 CCFL Life(Continuous)

: The assured CCFL Life will be longer than 10,000 hours at the general test condition.
(The operating life of the lamp is defined as having ended when the illumination of light has reached 50% of the initial value)

13.3 ON/OFF Cycle

: The display module will be capable of being operated over 24,000 ON/OFF cycles (B/L, Vdd ON/OFF)

14. Safety

14.1 Sharp edge : There will be no sharp edges or corners on the display assembly that could cause injury.

14.2 materials

14.2.1 Toxicity : There is no carcinogenic materials used anywhere in the display module.

14.2.2 Flammability : All components including electrical components of the module should meet the flammability grade Min.UL94-V1.

The printed circuit board is made from material rated UL94-V1 or better.

The actual UL flammability rating is printed on the printed circuit board.

14.2.3 capacitors : If any polarized capacitors are used in the display assembly, provisions will be made to keep them from being inserted backwards.

14.2.4 Hazardous Voltages : Any points exceeding 42.2volts meets the requirement of the limited current circuit.

The current through a 2 Kohm resistance is less than $0.7 \times f(\text{Khz})\text{mA}$.

15. Packaging

: The packaging of the LCD meets 75 cm drop test.

16. Smoke free design

: No smoke or strange smell shall not be observed by the operator as a result of any single failure.

17. Performance

: All electromagnetic compatibility apply when the display module is attached to the host system.

18.PRECAUTIONS

Please pay attention to the followings when you use this TFT/LCD module with Back-light unit.

18.1 MOUNTING PRECAUTIONS

- (1) You must mount a module using four holes arranged in both sides.
- (2) You should consider the mounting structure so that uneven force (ex. twisted stress) is not applied to the module. And the case on which a module is mounted should have sufficient strength so that external force is not transmitted directly to the module.
- (3) Please attach the surface with a transparent protective plate in order to protect the polarizer LC cell. Transparent protective plate should have sufficient strength in order to resist external force.
- (4) You should adopt radiation structure to satisfy the temperature specification.
- (5) Acetic acid type and chlorine type materials for the cover case are not desirable because the former generates corrosive gas of attacking the polarizer at high temperature and the latter causes circuit break by electro-chemical reaction.
- (6) Do not touch, push or rub the exposed polarizers with glass, tweezers or anything harder than HB pencil lead. And Please do not rub with dust clothes with chemical treatment. Do not touch the surface of polarizer for bare hand or greasy cloth. (Some cosmetics are detrimental to the polarizer.)
- (7) When the surface becomes dusty, please wipe gently with absorbent cotton or other soft materials like chamois soaked with petroleum benzene. Normal-hexane is recommended for cleaning the adhesives used to attach front / rear polarizers. Do not use acetone, toluene and alcohol because they cause chemical damage to the polarizer.
- (8) Wipe off saliva or water drops as soon as possible. Their long time contact with polarizer causes deformations and color fading.
- (9) Do not open the case because inside circuits do not have sufficient strength.
- (10) Do not touch, push the TCP bonding area strongly, because that area is very fragile and sensitive.

18.2 OPERATING PRECAUTIONS

- (1) The spike noise causes the mis-operation of circuits. It should be lower than following voltage :
VDD = $\pm 200\text{mV}$, V1 = $\pm 200\text{mV}$ (Over and under shoot voltage).
- (2) Response time depends on the temperature. (In lower temperature, it becomes longer.)
- (3) Brightness depends on the temperature. (In lower temperature, it becomes lower.)
And in lower temperature, response time (required time that brightness is stable after turned on) becomes longer.
- (4) Be careful for condensation at sudden temperature change. Condensation makes damage to polarizer or electrical contacted parts. And after fading condensation, smear or spot will occur.
- (5) When fixed patterns are displayed for a long time, remnant image is likely to occur.
- (6) A module has high frequency circuit. If you need to shield the electromagnetic noise, please do in yours.
- (7) When a Back-light unit is operating, it sounds. If you need to shield the noise, please do in yours.

18.3 ELECTROSTATIC DISCHARGE CONTROL

Since a module is composed of electronic circuits, it is not strong to electrostatic discharge. Make certain that treatment persons are connected to ground through wrist band etc . . And don't touch I/F pin directly.

18.4 PRECAUTION FOR STRONG LIGHT EXPOSURE

Strong light exposure causes degradation of polarizer and color filter.

Product Specification**18.5 STORAGE**

When storing modules as spares for a long time. The following precautions are necessary.

- (1) Store them in a dark place. Do not expose the module to sunlight or fluorescent light. Keep the temperature between 5 °C and 35 °C at normal humidity.
- (2) The polarizer surface should not come in contact with any other object.
It is recommended that they be stored in the container in which they were shipped.

18.6 HANDLING PRECAUTIONS FOR PROTECTION FILM

- (1) When the protection film is peeled off, static electricity is generated between the film and polarizer. This should be peeled off slowly and carefully by people who are electrically grounded and with well ion-blown equipment or in such a condition, etc..
- (2) The protection film is attached to the polarizer with a small amount of glue. If some stress is applied to rub the protection film against the polarizer during the time you peel off the film, the glue is apt to remain on the polarizer.
Please carefully peel off the protection film without rubbing it against the polarizer.
- (3) When the module with protection film attached is stored for a long time, sometimes there remains a very small amount of glue still on the polarizer after the protection film is peeled off.
- (4) You can remove the glue easily. When the glue remains on the polarizer surface or its vestige is recognized, please wipe them off with absorbent cotton waste or other soft material like chamois soaked with normal-hexane.

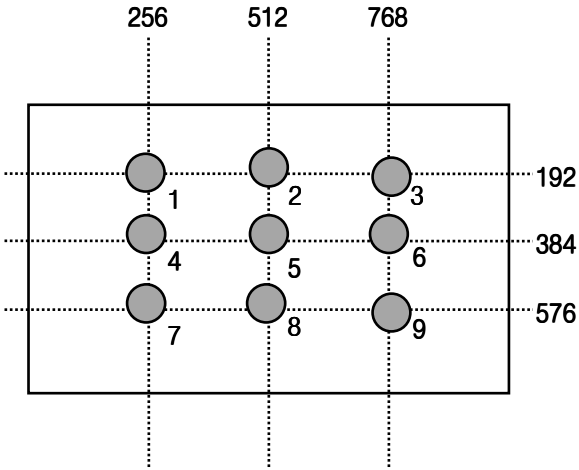
18.7 HANDLING PRECAUTIONS FOR TCP BONDING AREA

- (1) Please, handle the LCD Module with care and don't hold the TCP bonding area strongly, because that area is very fragile and sensitive.

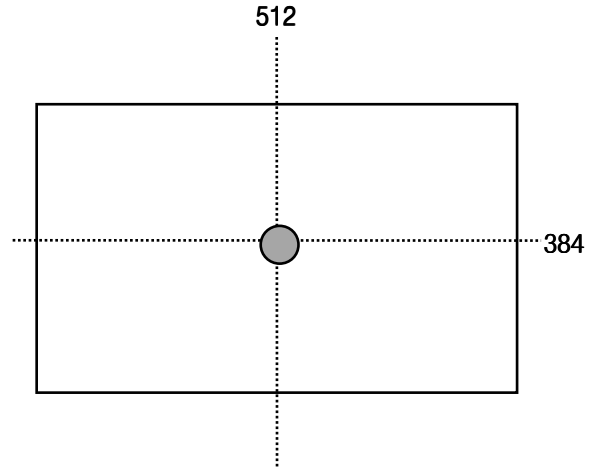
Product Specification

A-1 Brightness

<Measuring point for brightness variation>

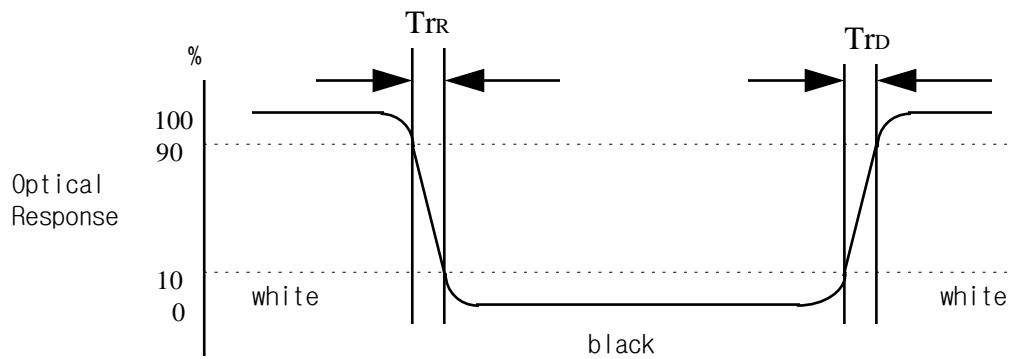


< Measuring point for surface brightness>



A-2 RESPONSE TIME

The response time is defined as the following figure and shall be measured by switching the input signal for “black” and “white”.



Product Specification

A-3 Viewing angle

<Definition of viewing angle range>

