



Features

- ◇ For RF SAW filter
- ◇ Single-ended operation
- ◇ Ceramic Surface Mount Package
- ◇ Small size
- ◇ No matching required for operation at 50Ω
- ◇ RoHS compliant (2002/95/EC), Pb-free

Specifications

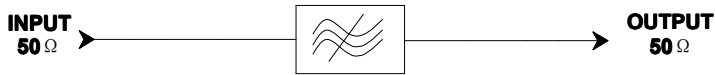
Parameter	Unit	Minimum	Typical	Maximum
Center Frequency	MHz		492.5	
Insertion Loss(490~495MHz)	dB		3.5	4.5
VSWR(490~495MHz)	dB		1.4	2
1dB bandwidth	MHz	4.9	5.94	
Attenuation	100 ~ 480MHz	dB	30	
	480 ~ 487.5MHz	dB	15	
	497.5 ~ 505MHz	dB	15	
	505 ~ 1000MHz	dB	30	
Material Temperature coefficient	kHz/° C		-17.73	
Substrate Material	-		42LT	
Ambient Temperature	° C		25	
Operating Temperature Range	° C		25	
Storage Temperature Range	° C	-55	-	+100
ESD Class	-		1A	
Package Size		SMD3.8*3.8		

Notes:

1. All specifications are based on the test circuit shown;
2. In production, all specifications are measured by Agilent Network analyzer and full 2 port calibration at room temperature;
3. Electrical margin has been built into the design to account for the variations due to temperature drift and manufacturing tolerances;
4. This is the optimum impedance in order to achieve the performance show.

	SIPAT Co., Ltd. (CETC No.26 Research Institute) #14 Nanping Huayuan Road, Chongqing, China, 400060	Part Number	LBT49301	
		Rev. Date	2013-05-13	
		Ver.	1.0	Page 1/3

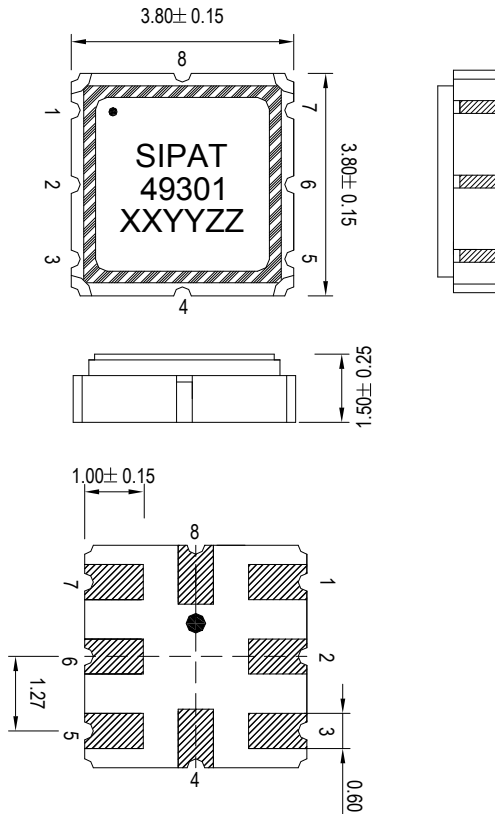
Matching Configuration



Source/Load Impedance=50 ohm

Notes - Component values may change depending on board layout.

Package Dimension



Pad Configuration:

Input: 2
Output: 6
Ground: All Others

Marking Configuration:

- 1) SIPAT: Manufacturer Name
- 2) 49301: Part Number
- 3) XXYY: Date(Year/month)
- 4) ZZ: Identified Code

Package: SMD3.8*3.8

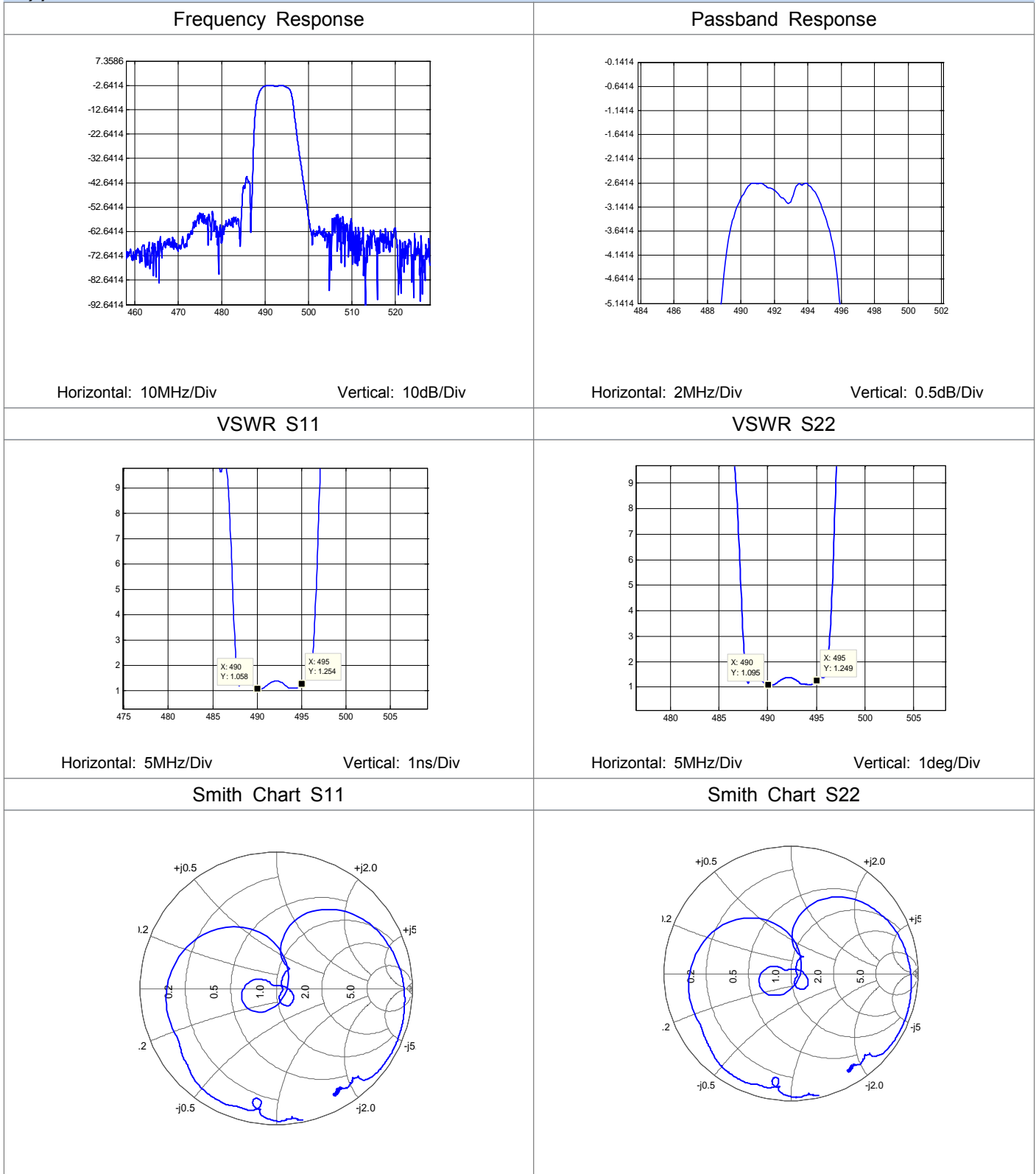
Unit: mm



SIPAT Co., Ltd.
(CETC No.26 Research Institute)
#14 Nanping Huayuan Road,
Chongqing, China, 400060

Part Number	LBT49301	
Rev. Date	2013-05-13	
Ver.	1.0	Page 2/3

Typical Performance



SIPAT Co., Ltd.
(CETC No.26 Research Institute)
#14 Nanping Huayuan Road,
Chongqing, China, 400060

Part Number	LBT49301	
Rev. Date	2013-05-13	
Ver.	1.0	Page 3/3