



ON Semiconductor®

<http://onsemi.com>

# LA72715NV

---

## Monolithic Linear IC

# JPN MTS (Multi Channel Television Sound) Decoder IC

### Overview

JPN MTS (Multi Channel Television Sound) Decoder IC

### Features

- With SIF circuit, alignment-free\* STEREO channel separation.  
\* In base band signal input mode, separation is adjusted by input level.
- Three I<sup>2</sup>C slave-addresses are prepared.
- The maximum output level is as large as 4.2dBV.  
(Frequency = 1kHz, distortion = less than 3%, V<sub>CC</sub> = 5V, TYP)
- The external clock is unnecessary.
- A couple of external input terminal is prepared.

### Functions

- Stereo & Bilingual demodulation.
- Stereo & Bilingual detection.
- Just clock out.

### Specifications

Maximum Ratings at Ta = 25°C

Parameter	Symbol	Conditions	Ratings	Unit
Maximum power supply voltage	V <sub>CCH</sub> max		7.0	V
Allowable power dissipation	Pd max	Ta ≤ 80°C, Mounted on a specified board*	203	mW
Operating temperature	Topr		-20 to +80	°C
Storage temperature	Tstg		-55 to +150	°C

\* Mounted on a specified board: 114.3mm × 76.1mm × 1.6mm glass epoxy board

Stresses exceeding Maximum Ratings may damage the device. Maximum Ratings are stress ratings only. Functional operation above the Recommended Operating Conditions is not implied. Extended exposure to stresses above the Recommended Operating Conditions may affect device reliability.

# LA72715NV

## Operating Ranges at Ta = 25°C

Parameter	Symbol	Conditions	Ratings	Unit
Recommended operating voltage	V <sub>CCH</sub>		5.0	V
Allowable operating voltage	V <sub>CCH op</sub>		4.5 to 5.5	V

## Electrical Characteristics at Ta = 25°C, V<sub>DD</sub> = 5V

[Condition of input signal at pin 5]

BASE BAND input

[Output] L-ch: pin 18, R-ch: pin 17

Parameter	Symbol	Conditions	Ratings			unit
			min	typ	max	
Current dissipation	I <sub>CC1</sub>	No signal, Inflow current at pin 19	18	26	34	mA
MONO output level	V <sub>OMN1</sub>	fm = 1kHz, 100% Mod, Pre-emphasis OFF	-6	-4.5	-3	dBV
			501	595	708	mVrms
MONO L/R level difference	ΔV <sub>OMN1</sub>	fm = 1kHz, 100% Mod, Pre-emphasis OFF	-1	0	1	dB
MONO distortion	THDM1	fm = 1kHz, 100% Mod, Pre-emphasis OFF		0.2	0.5	%
MONO frequency characteristics	FCM1	fm = 10kHz/1kHz, 100% Mod, 15kHz LPF Pre-emphasis OFF	-18	-13.5		dB
MONO S/N	SNM1	Non Mod, 15kHz LPF	60	65		dB
STEREO output level	V <sub>OST1</sub>	fm = 1kHz, 100% Mod, Cue (Stereo), 15kHz LPF	-6	-4.5	-3	dBV
			501	595	708	mVrms
STEREO distortion	THDS1	fm = 1kHz, 100% Mod, Cue (Stereo), 15kHz LPF		0.5	1	%
STEREO S/N	SNS1	Sub Carrier (Non Mod), Cue (Stereo), 15kHz LPF	50	60		dB
Main output level	V <sub>OMA1</sub>	fm = 1kHz, 100% Mod, Cue (Bilingual), 15kHz LPF	-6	-4.5	-3	dBV
			501	595	708	mVrms
Main distortion	THDMA1	fm = 1kHz, 100% Mod, Cue (Bilingual), 15kHz LPF		0.2	0.5	%
Main S/N	SNMA1	Sub Carrier (Non Mod), Cue (Bilingual), 15kHz LPF	60	65		dB
SUB output level	V <sub>SU1</sub>	fm = 1kHz, 100% Mod, Cue (Bilingual), 15kHz LPF	-6	-4.5	-3	dBV
			501	595	708	mVrms
SUB distortion	THDSU1	fm = 1kHz, 100% Mod, Cue (Bilingual), 15kHz LPF		0.7	1.5	%
SUB frequency characteristics	FCSU1	fm = 10kHz/1kHz, 60% Mod, Cue (Bilingual), 15kHz LPF, Pre-emphasis OFF	-18	-14.5		dB
SUB Main S/N	SNSU1	Sub Carrier (Non Mod), Cue (Bilingual), 15kHz LPF	50	60		dB
STEREO separation L → R	SEPR1	fm = 1kHz (L-only), 60% Mod, Cue (Stereo), 15kHz LPF	35	43		dB
STEREO separation R → L	SEPL1	fm = 1kHz (R-only), 60% Mod, Cue (Stereo), 15kHz LPF	35	43		dB
Stay behind carrier level (SUB)	CLSU1	Main = 0%, Sub = 0% (Carrier) Cue (Bilingual)		-50	-40	dBV
Stay behind carrier level (MAIN)	CLMA1	Main = 0%, Sub = 0% (Carrier) Cue (Bilingual)		-55	-45	dBV
Cross-talk MAIN → SUB	CTSUB1	Main : fm = 1kHz, 100% modulation, Cue (Bilingual), 1kHz BPF	55	62		dB
Cross-talk SUB → MAIN	CTMA1	Sub : fm = 1kHz, 100% modulation, Cue (Bilingual), 1kHz BPF	55	62		dB
MODE output MONO	MODMO1	Input = Mono Signal	1.7	2	2.3	V
MODE output STEREO	MODST1	Input = Stereo Signal	0	1	1.3	V
MODE output BILINGUAL	MODBI1	Input = Bilingual Signal	2.7	3	3.3	V
Just Clock output High voltage	JCH1	f = 400Hz (mono), 25% Mod	4			V
Just Clock output Low voltage	JCL1	f = 400Hz (mono), 10% Mod			1	V
Max Output level	MOL1	f = 1kHz, distortion = 3%	3.3	4.2		dBV
			1462	1622		mVrms

Continued on next page.

# LA72715NV

Continued from preceding page.

Parameter	Symbol	Conditions	Ratings			unit
			min	typ	max	
EXTERNAL input level	EXTIN1	f = 1kHz, (pin 12 & pin 13 input)		-14.5		dBV
				188.4		mVrms
8pin-CONTROL "H"	MUTEH	MUTE-ON	3.0		V <sub>CC</sub>	V
8pin-CONTROL "OPEN"	MUTEOP	MUTE-OFF		0.9		V
8pin-CONTROL "L"	MUTEL	MUTE-OFF & Detection AREA CONROL	0		0.2	V

[Condition of input signal at pin 5]

Deviation of SIF input MONO : (fm = 1kHz) 100%→4.5MHz±25kHz Pre-Emphasis ON

[Output] L-ch : pin 18, R-ch : pin 17

Parameter	Symbol	Conditions	Ratings			unit
			min	typ	max	
Current dissipation	I <sub>CC2</sub>	No signal, Inflow current at pin 19	20	28	36	mA
Input sensitivity level	V <sub>SIN</sub>	fc = 4.5MHz	70	90	110	dBμV
			3.16	31.62	316.2	mVrms
MONO output level	V <sub>OMN2</sub>	fm = 1kHz, 100% Mod, Pre-emphasis OFF	-6	-4.5	-3	dBV
			501	595	708	mVrms
MONO L/R level difference	ΔV <sub>OMN2</sub>	fm = 1kHz, 100% Mod, Pre-emphasis OFF	-1	0	1	dB
MONO distortion	THDM2	fm = 1kHz, 100% Mod, Pre-emphasis OFF		0.2	0.5	%
MONO frequency characteristics	FCM2	fm = 10kHz/1kHz, 100% Mod, 15kHz LPF Pre-emphasis OFF	-18	-13.5		dB
MONO S/N	SNM2	Non Mod, 15kHz LPF	55	60		dB
STEREO output level	V <sub>OST2</sub>	fm = 1kHz, 100% Mod, Cue (Stereo), 15kHz LPF	-6	-4.5	-3	dBV
			501	595	708	mVrms
STEREO distortion	THDS2	fm = 1kHz, 100% Mod, Cue (Stereo), 15kHz LPF		0.5	1	%
STEREO S/N	SNS2	Sub Carrier (Non Mod), Cue (Stereo), 15kHz LPF	50	57		dB
Main output level	V <sub>OMA2</sub>	fm = 1kHz, 100% Mod, Cue (Bilingual), 15kHz LPF	-6	-4.5	-3	dBV
			501	595	708	mVrms
Main distortion	THDMA2	fm = 1kHz, 100% Mod, Cue (Bilingual), 15kHz LPF		0.2	0.5	%
Main S/N	SNMA2	Sub Carrier (Non Mod), Cue (Bilingual), 15kHz LPF	55	60		dB
SUB output level	V <sub>OSU2</sub>	fm = 1kHz, 100% Mod, Cue (Bilingual), 15kHz LPF	-6	-4.5	-3	dBV
			501	595	708	mVrms
SUB distortion	THDSU2	fm = 1kHz, 100% Mod, Cue (Bilingual), 15kHz LPF		0.7	1.5	%
SUB frequency characteristics	FCSU2	fm = 10kHz/1kHz, 60% Mod, Cue (Bilingual), 15kHz LPF, Pre-emphasis OFF	-18	-14.5		dB
SUB Main S/N	SNSU2	Sub Carrier (Non Mod), Cue (Bilingual), 15kHz LPF	50	58		dB
STEREO separation L → R	SEPR2	fm = 1kHz (L-only), 60% Mod, Cue (Stereo), 15kHz LPF	35	38		dB
STEREO separation R → L	SEPL2	fm = 1kHz (R-only), 60% Mod, Cue (Stereo), 15kHz LPF	35	38		dB
Stay behind carrier level (SUB)	CLSU2	Main = 0%, Sub = 0% (Carrier) Cue (Bilingual)		-50	-40	dBV
Stay behind carrier level (MAIN)	CLMA2	Main = 0%, Sub = 0% (Carrier) Cue (Bilingual)		-55	-45	dBV
Cross-talk MAIN → SUB	CTSUB2	Main : fm = 1kHz, 100% modulation, Cue (Bilingual), 1kHz BPF	55	62		dB
Cross-talk SUB → MAIN	CTMA2	Sub : fm = 1kHz, 100% modulation, Cue (Bilingual), 1kHz BPF	55	62		dB
MODE output MONO	MODMO2	Input = Mono Signal	1.7	2	2.3	V
MODE output STEREO	MODST2	Input = Stereo Signal	0	1	1.3	V
MODE output BILINGUAL	MODBI2	Input = Bilingual Signal	2.7	3	3.3	V
Just Clock output High voltage	JCH2	f = 400Hz (mono), 25%Mod	4			V

Continued on next page.

# LA72715NV

Continued from preceding page.

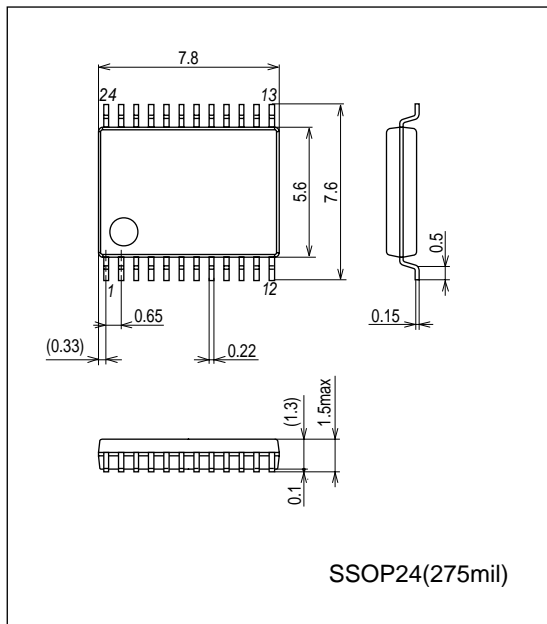
Parameter	Symbol	Conditions	Ratings			unit
			min	typ	max	
Just Clock output Low voltage	JCL2	f = 400Hz (mono), 10%Mod			1	V
Max Output level	MOL2	f = 1kHz, distortion = 3%	3.3	4.2		dBV
			1462	1622		mVrms
EXTERNAL input level	EXTIN2	f = 1kHz, (pin 12 & pin 13 input)		-14.5		dBV
				188.4		mVrms
8pin-CONTROL "H"	MUTEH	MUTE-ON	3.0		V <sub>CC</sub>	V
8pin-CONTROL "OPEN"	MUTEOP	MUTE-OFF		0.9		V
8pin-CONTROL "L"	MUTEL	MUTE-OFF & Detection AREA CONROL	0		0.2	V

## Package Dimensions

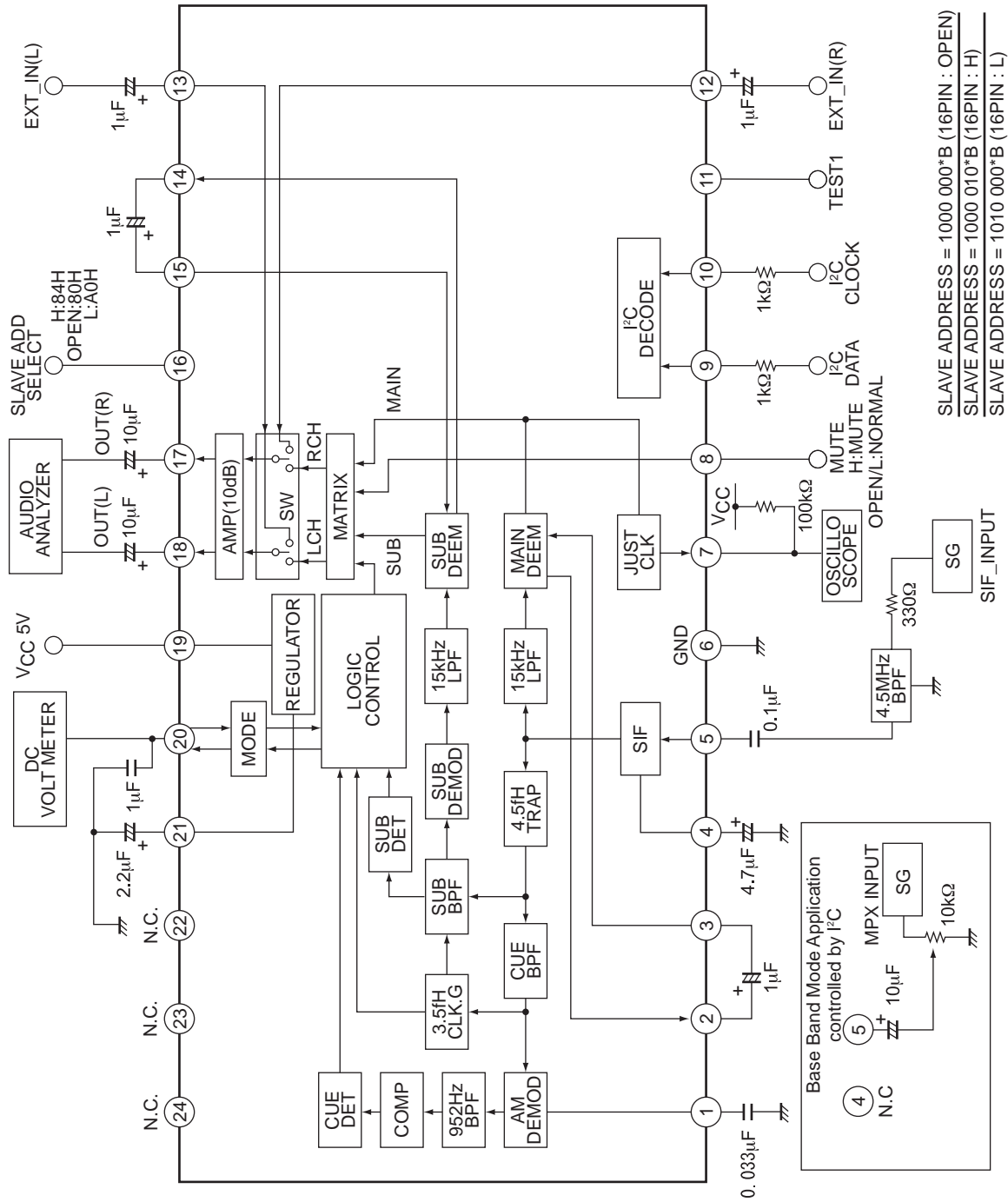
unit : mm (typ)

3175C

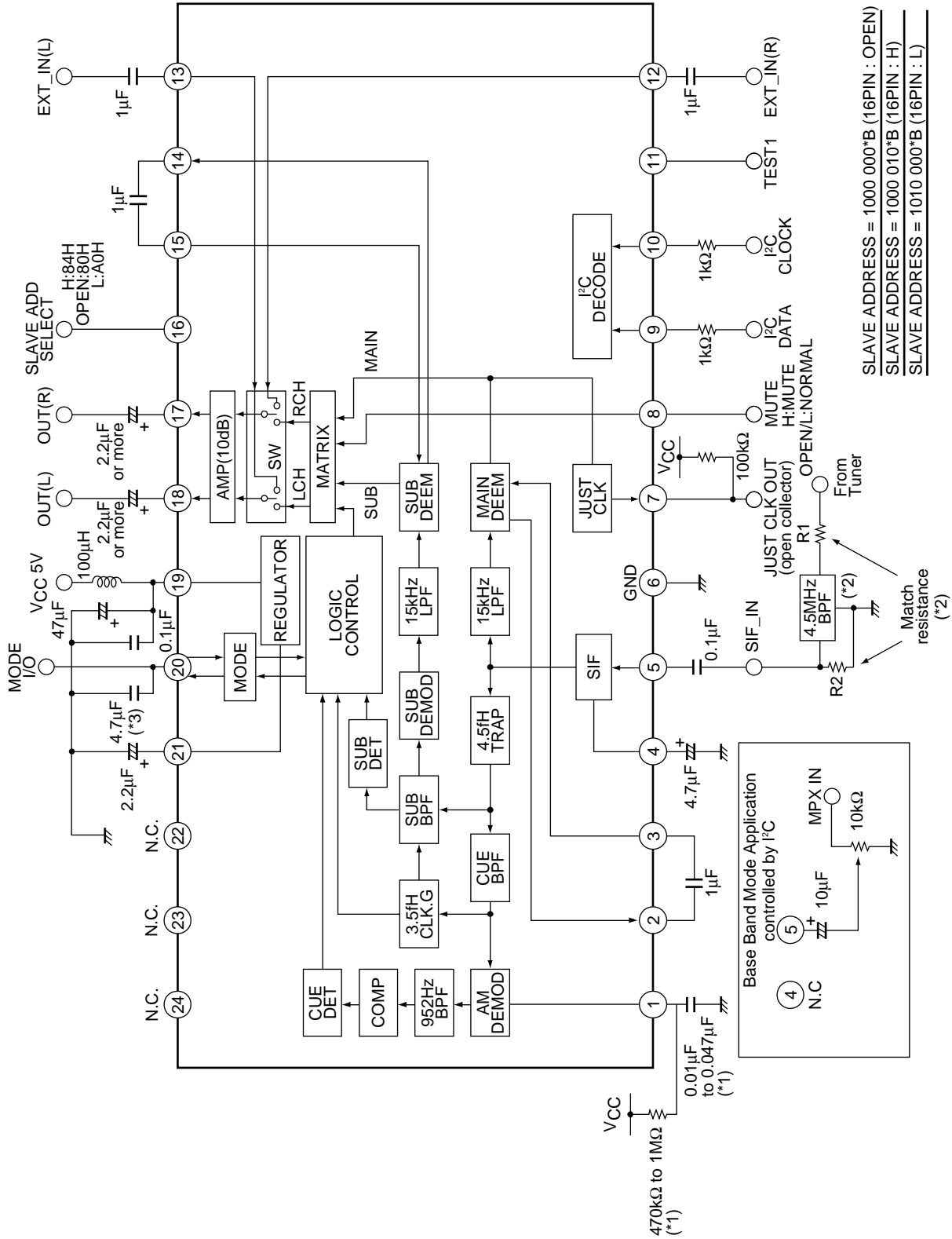
[LA72715NV]



Block Diagram and Test Circuit



Block Diagram and Application Circuit Example



SLAVE ADDRESS = 1000 000\*B (16PIN : OPEN)  
 SLAVE ADDRESS = 1000 010\*B (16PIN : H)  
 SLAVE ADDRESS = 1010 000\*B (16PIN : L)

The value of (1\*), (2\*), and (3\*) affects sensitivity for signal detection. It must be adjusted depending on the circumstances by the user.

(1\*): Recommended constant value  $0.0033\mu\text{F} + 470\text{k}\Omega$  (values when tested)

(2\*): Recommended matching resistor value  $R1=1\text{k}\Omega, R2=1\text{k}\Omega$

Recommended BPF Murata SFSRA4M50DF00-B0

(3\*): Recommended constant value  $4.7\mu\text{F}$  to  $10\text{k}\Omega$

The ceramic capacitor may be used for the electrolytic capacitor.

# LA72715NV

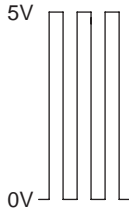
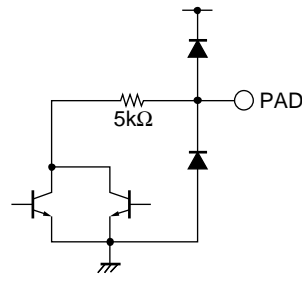
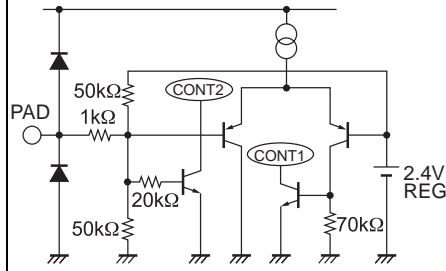
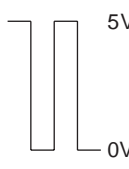
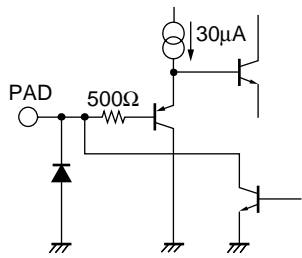
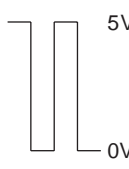
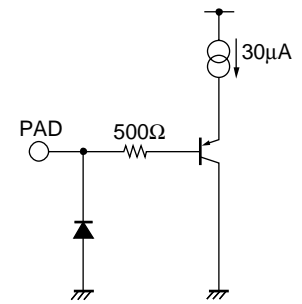
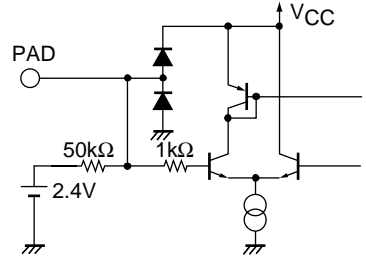
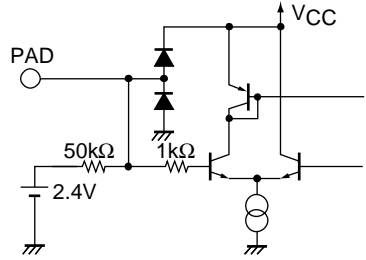
## Pin Functions

Pin No.	Pin Name	DC voltage AC level	Function	Equivalent Circuit
1	AM DETECTOR	DC : 2.3V	Reference terminal of AM detection.	
2 14	DC FILTER OUT	2pin DC : 2.6V 14pin DC : 2.1V	Absorbing the DC offset of signal line by external capacity.	
3 15	DC FILTER IN	DC : 2.4V	Absorbing the DC offset of signal line by external capacity.	
4	FM FILTER	DC : 2.9V	Filter terminal for making stable DC voltage of FM detection output in SIF part. Normally, use a condenser of 4.7μF. Increase the capacity value with concerning frequency characteristics of low level.	
5	SIF INPUT	DC : 2.4V	Input terminal for SIF. The input impedance is about 5kΩ. Be care for about pattern layout of the input circuit, because of causing buzz-beat and buzz by leaking noise signal into the input terminal. (The noise signal depending on sound is particularly video signal and chroma signal and so on. VIF carrier becomes noise signal.)	
6	GND			

Continued on next page.

# LA72715NV

Continued from preceding page.

Pin No.	Pin Name	DC voltage AC level	Function	Equivalent Circuit
7	JUST CLOCK OUT		Rectangle wave output for JUST CLOCK. (OPEN Collector) 100kΩ Pull-up	
8	MUTE control pin & Distinction control.	DC : 0V	3.0V to V <sub>CC</sub> : MUTE (CONT 1) OPEN (0.9V) : NORM 0V : NORM & Detection AREA Control (CONT2) Use it within the range of 0 to 0.2V when you operate usually.	
9	Serial data input pin.		High : 2.5V to 5V Low : 0V to 1.5V	
10	Serial CLK input pin		High : 2.5V to 5V Low : 0V to 1.5V	
11	TEST1			
12	EXTIN_R	DC : 2.4V -14.5dBV	EXT input Rch not used : OPEN	
13	EXTIN_L	DC : 2.4V -14.5dBV	EXT input Lch not used : OPEN	

Continued on next page.



# LA72715NV

Continued from preceding page.

Pin No.	Pin Name	DC voltage AC level	Function	Equivalent Circuit
16	SLAVE ADD SELECT			
17 18	Line Out (R) terminal Line Out (L) terminal	DC : 2.4V AC : -4.5dBV	Line output pin.	
19	V <sub>CC</sub> 5V			
20	MTS MODE OUT	No signal DC : 2.0V	Detection output for M.T.S. signal. BILINGUAL :3.0V MONO :2.0V STEREO :1.0V	
21	REG FILT	DC : 2.4V	Filter terminal of reference voltage source	
22 23 24	NC			

## I<sup>2</sup>C BUS Serial Interface Specification

### (1) Data Transfer Manual

This LSI adopts control method (I<sup>2</sup>C-BUS) with serial data, and controlled by two terminals which called SCL (serial clock) and SDA (serial data). At first, set up<sup>\*1</sup> the condition of starting data transfer, and after that, input 8 bit data to SDA terminal with synchronized SCL terminal clock. The order of transferring is first, MSB (the Most Scale of Bit), and save the order. The 9th bit takes ACK (Acknowledge) period, during SCL terminal takes 'H', this LSI pull down the SDA terminal. After transferred the necessary data, two terminals lead to set up and of<sup>\*2</sup> data transfer stop condition, thus the transfer comes to close.

\*1 Defined by SCL rise down SDA during 'H' period.

\*2 Defined by SCL rise up SDA during 'H' period.

### (2) Transfer Data Format

After transfer start condition, transfers slave address (1000 000\*) to SDA terminal, control data, then, stop condition (See figure 1).

Slave address is made up of 7bits, <sup>\*3</sup>8th bit shows the direction of transferring data, if it is 'L' takes write mode (As this LSI side, this is input operation mode), and in case of 'H' reading mode (As this LSI side, this is output operation mode).

Data works with all of bit, transfer the stop condition before stop 8bit transfer, and to stop transfer, it will be canceled the transfer dates. At READ mode, this LSI outputs during ACK period, please must input 9 clocks.

\*3 It is called R/W bit.

# LA72715NV

Fig.1 DATA STRUCTURE “WRITE” mode

START Condition	Slave Address	R/W L	ACK	Control data	ACK	STOP condition
-----------------	---------------	----------	-----	--------------	-----	----------------

Fig.2 DATA STRUCTURE “READ” mode

START condition	Slave Address	R/W H	ACK	Internal Data *	ACK	STOP condition
-----------------	---------------	----------	-----	-----------------	-----	----------------

\* The output data synchronizes with the clock of SCL pin. Then the ACK output is made after the output data.

- bit8 is result of STERO DET (H : STEREO)
- bit7 is result of BILINGUAL DET (H : BILINGUAL)
- bit6 is Initial Condition ‘H’
- bit5 to bit1 are fixed to ‘L’

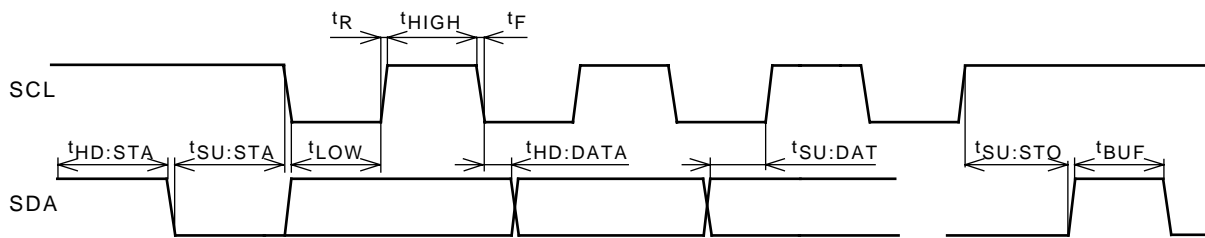
### (3) Initialize

This IC is initialized for circuit protection. Initial condition is “01h (Main-mode)”.

## Reference

Parameter	Symbol	min	max	unit
LOW level input voltage	$V_{IL}$	-0.5	1.5	V
HIGH level input voltage	$V_{IH}$	2.5	5.5	V
LOW level output current	$I_{OL}$		3.0	mA
SCL clock frequency	$f_{SCL}$	0	100	kHz
Set-up time for a repeated START condition	$t_{SU : STA}$	4.7		$\mu s$
Hold time START condition. After this period, the first clock pulse is generated	$t_{HD : STA}$	4.0		$\mu s$
LOW period of the SCL clock	$t_{LOW}$	4.7		$\mu s$
Rise time of both SDA and SDL signals	$t_R$	0	1.0	$\mu s$
HIGH period of the SCL clock	$t_{HIGH}$	4.0		$\mu s$
Fall time of both SDA and SDL signals	$t_F$	0	1.0	$\mu s$
Data hold time	$t_{HD : DAT}$	0		$\mu s$
Data set-up time	$t_{SU : DAT}$	250		ns
Set-up time for STOP condition	$t_{SU : STO}$	4.0		$\mu s$
BUS free time between a STOP and START condition	$t_{BUF}$	4.7		$\mu s$

## Definition of Timing



# LA72715NV

## I<sup>2</sup>C Control/LA72715NV Group number is ONLY 1 (Normal Use).

Grp-1

D8	D7	D6	D5	D4	D3	D2	D1	Condition
						0	0	Bilingual
*						0	1	Main
						1	0	Sub
						1	1	(Prohibit)
*					0			Normal
					1			Forced MONO
*				0				Normal (MUTE OFF)
				1				MUTE
*			0					TV Mode (SW Normal)
			1					EXT Mode (SW EXT)
*		0						JUST CLOCK OFF
		1						JUST CLOCK ON
*	0							SIF Mode
	1							BASE BAND Mode
*	0							Fix
	1							Prohibit (TEST Mode)

\*: Initial condition

Read out data

D8	D7	D6	D5	D4	D3	D2	D1	Condition
			0	0	0	0	0	Fixed
0								Normal
1								Stereo det
	0							Normal
	1							Bilingual det
		0						Except an initial condition
		1						Initial condition

### Test Mode Condition

When STOP condition transform at Grp-1 data-end, controlled NORMAL mode.

Grp-2 (Only test condition : Normally, this group is hidden group)

D8	D7	D6	D5	D4	D3	D2	D1	Condition/Moniter position
0	0	0	0	0	0	0	0	-
0	0	0	0	0	0	0	1	TEST-01 SIF out
0	0	0	0	0	0	1	0	TEST-02 SUB FIL out
0	0	0	0	0	0	1	1	TEST-03 CUE FIL out
0	0	0	0	0	1	0	0	TEST-04 SUD DET out
0	0	0	0	0	1	0	1	TEST-05 CUE DC1 out
0	0	0	0	0	1	1	0	TEST-06 SUB DET2 out
0	0	0	0	0	1	1	1	TEST-07 110K out
0	0	0	0	1	0	0	0	TEST-08 28K out
0	0	0	0	1	0	0	1	TEST-09 CUE PLS out
0	0	0	0	1	0	1	0	TEST-10 FIL ZAP LEVEL

SLAVE ADDRESS 80H (16pin : OPEN)

SLAVE ADDRESS 84H (16pin : V<sub>CC</sub>)

SLAVE ADDRESS A0H (16pin : GND)

# LA72715NV

## Mode Select (pin & I<sup>2</sup>C setting)

Broadcast signal	MUTE PIN setting	I <sup>2</sup> C					OUTPUT MODE			READ MODE OUT		MODE I/O
	8pin	D5	D4	D3	D2	D1	LCH (18pin)	RCH (17pin)	MODE	D8	D7	20pin
Bilingual	L or OPEN	0	0	0	0	0	MAIN	SUB	BOTH	0	1	3V
	L or OPEN	0	0	0	0	1	MAIN	MAIN	MAIN	0	1	
	L or OPEN	0	0	0	1	0	SUB	SUB	SUB	0	1	
	L or OPEN	0	0	1	*	*	MAIN	MAIN	MONO	0	1	
	*	*	1	*	*	*	MUTE	MUTE	MUTE	0	1	
	H	*	*	*	*	*	MUTE	MUTE	MUTE	0	1	
	L or OPEN	1	0	*	*	*	EXT L	EXT R	EXT	0	1	
STEREO	L or OPEN	0	0	0	*	*	L	R	STEREO	1	0	1V
	L or OPEN	0	0	1	*	*	L+R	L+R	MONO	1	0	
	*	*	1	*	*	*	MUTE	MUTE	MUTE	1	0	
	H	*	*	*	*	*	MUTE	MUTE	MUTE	1	0	
	L or OPEN	1	0	*	*	*	EXT L	EXT R	EXT	1	0	
MONO	L or OPEN	0	0	*	*	*	L+R	L+R	MONO	0	0	2V
	*	*	1	*	*	*	MUTE	MUTE	MUTE	0	0	
	H	*	*	*	*	*	MUTE	MUTE	MUTE	0	0	
	L or OPEN	1	0	*	*	*	EXT L	EXT R	EXT	0	0	

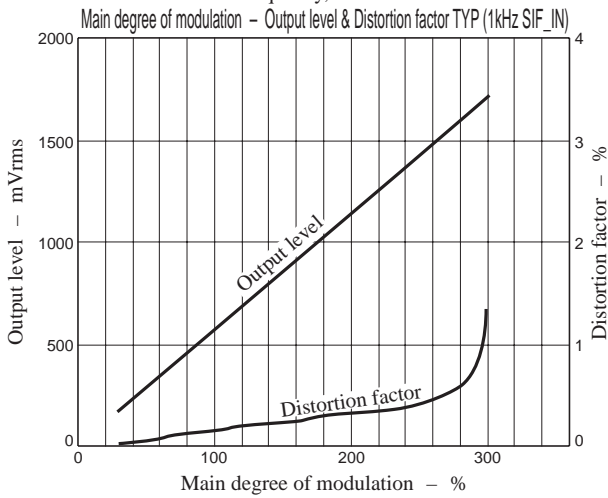
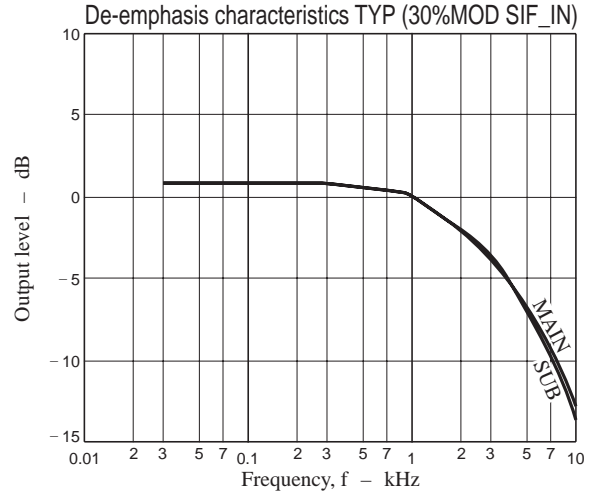
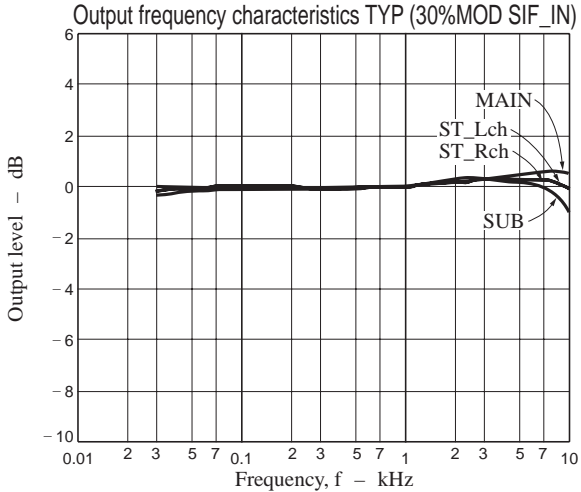
16pin : Slave address select. 0V to 1.5V : A0H, OPEN : 80H, 3.0V to V<sub>CC</sub> : 84H

## Serial Data Specification (I<sup>2</sup>C bus communication)

Data bit							
MSB D8	D7	D6	D5	D4	D3	D2	LSB D1
TEST	SIF or BASE BAND	JUST CLK	EXT SOURCE SELECT	NORMAL OUT MUTE	Forced MONO	Bilingual mode select	
<u>0 : OFF</u> 1 : ON	<u>0 : SIF</u> 1 : BASE BAND	<u>0 : OFF</u> 1 : ON	<u>0 : OFF(TV)</u> 1 : EXT	<u>0 : OFF</u> 1 : ON	<u>0 : OFF</u> 1 : ON	00: BILINGUAL <u>01 : MAIN</u> 10 : SUB 11 : Unusable	

Note : Underline shows default setting

LA72715NV Reference Characteristics



ON Semiconductor and the ON logo are registered trademarks of Semiconductor Components Industries, LLC (SCILLC). SCILLC owns the rights to a number of patents, trademarks, copyrights, trade secrets, and other intellectual property. A listing of SCILLC's product/patent coverage may be accessed at [www.onsemi.com/site/pdf/Patent-Marking.pdf](http://www.onsemi.com/site/pdf/Patent-Marking.pdf). SCILLC reserves the right to make changes without further notice to any products herein. SCILLC makes no warranty, representation or guarantee regarding the suitability of its products for any particular purpose, nor does SCILLC assume any liability arising out of the application or use of any product or circuit, and specifically disclaims any and all liability, including without limitation special, consequential or incidental damages. "Typical" parameters which may be provided in SCILLC data sheets and/or specifications can and do vary in different applications and actual performance may vary over time. All operating parameters, including "Typicals" must be validated for each customer application by customer's technical experts. SCILLC does not convey any license under its patent rights nor the rights of others. SCILLC products are not designed, intended, or authorized for use as components in systems intended for surgical implant into the body, or other applications intended to support or sustain life, or for any other application in which the failure of the SCILLC product could create a situation where personal injury or death may occur. Should Buyer purchase or use SCILLC products for any such unintended or unauthorized application, Buyer shall indemnify and hold SCILLC and its officers, employees, subsidiaries, affiliates, and distributors harmless against all claims, costs, damages, and expenses, and reasonable attorney fees arising out of, directly or indirectly, any claim of personal injury or death associated with such unintended or unauthorized use, even if such claim alleges that SCILLC was negligent regarding the design or manufacture of the part. SCILLC is an Equal Opportunity/Affirmative Action Employer. This literature is subject to all applicable copyright laws and is not for resale in any manner.