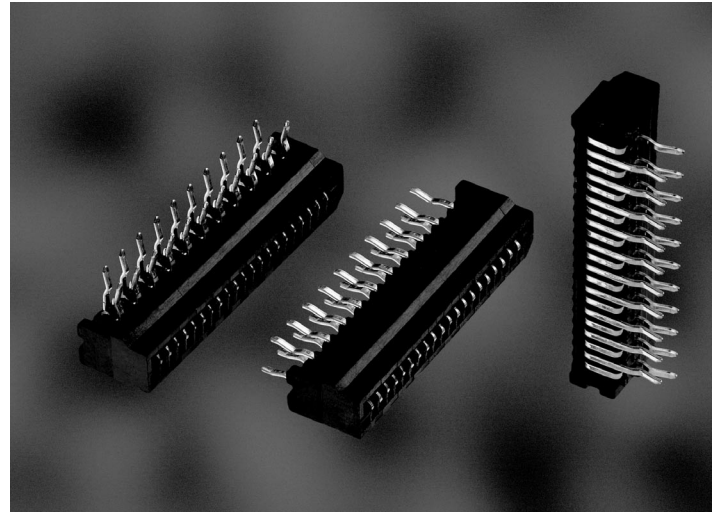


1.00 mm Spacing for FFC / FPC / CIC

Features

- Available in 4 to 32 positions
- Right angle and vertical type
- Kinked solder tails available



Benefits

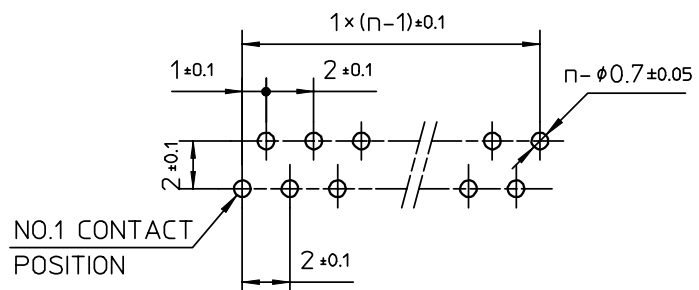
- The Gas-Tight, High pressure (GTH) contact system ensures a low cost connection with reliability equal to gold plating.
- The Low Insertion Force (LIF) contacts positioning provides a reliable and easy mating operation.
- Fork shaped contacts mean stable and low contact resistance.
- Kinked solder tails provide added PCB retention.

Technical Data

PC Board pattern (component side)

Material

- Housing** : PBT, glass reinforced, UL94V-0, Black
- Contact** : Phosphor Bronze, Tin alloy plated



THICKNESS : 1.2~1.6

1.00 mm Spacing for FFC / FPC / CIC

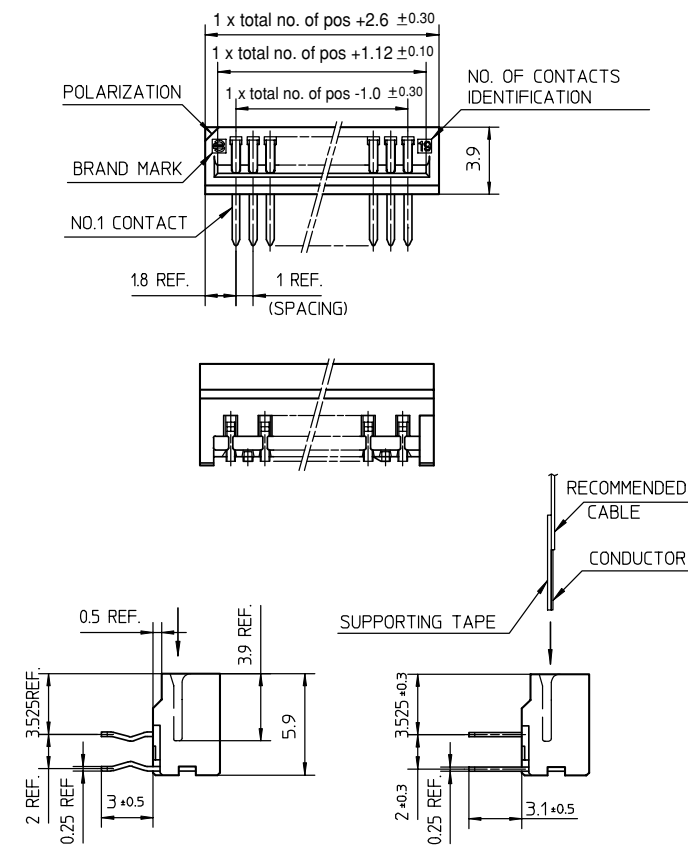
Ordering Data

Series HLW 10 R - 2 C 7

No of contacts 4 to 32		Variation A7 = non-kinked terminal C7 = kinked terminal
Terminal type R = Right angle S = Straight		Tray packaging
Cable type 2 = FPC/FFC 6 = CIC		

Dimensions

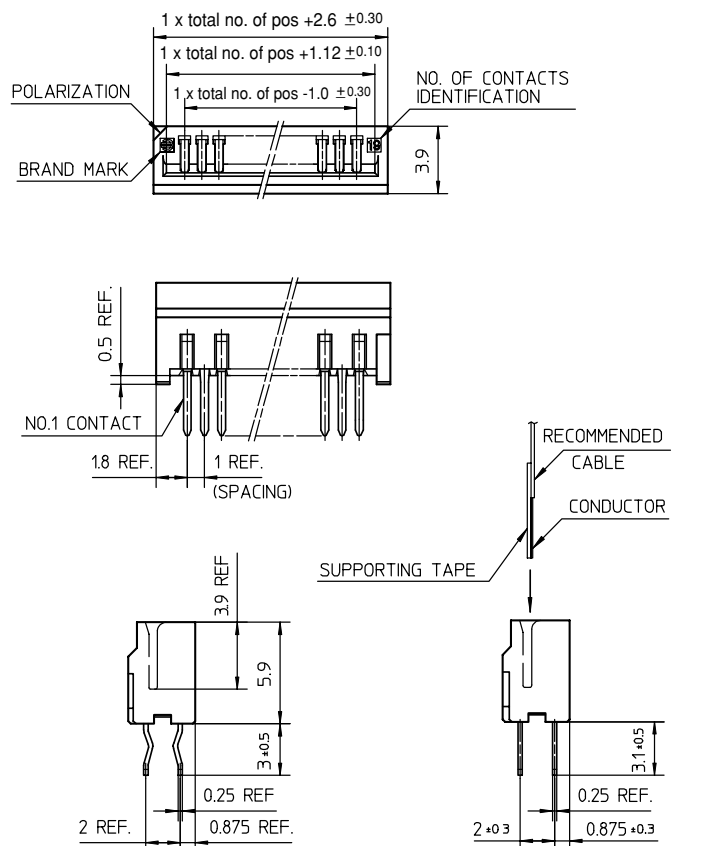
Right angle



kinked terminal

non-kinked terminal

Straight



kinked terminal

non-kinked terminal

Circuitry Type For Recommended Circuitry type see page 31