

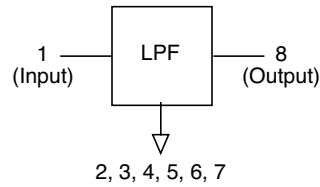
- Integrated LPF designed to work with Analog Devices AD9850
- Robust construction allows for IR/VP processes
- Available in SMD, DIP and DIL Packages

Electrical Parameters @ 25°C

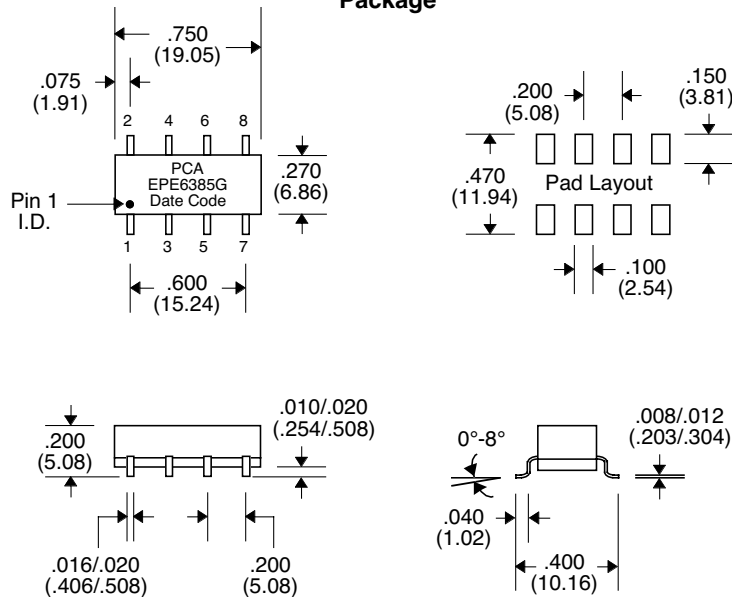
| Cut-Off Frequency (MHz) | Insertion Loss (dB Max.) | Return Loss (dB Min.) | Attenuation (dB Min.) | | | | Group Delay (nS Max.) |
|-------------------------|--------------------------|-----------------------|-----------------------|----------|-----------|-----------|-----------------------|
| | | | @ 47 MHz | @ 61 MHz | @ 100 MHz | @ 200 MHz | |
| ± 3 MHz | 0.1-30 MHz | 0.1-30 MHz | @ 47 MHz | @ 61 MHz | @ 100 MHz | @ 200 MHz | @ 30 MHz |
| 35 | -1 | -15 | -18 | -38 | -30 | -40 | 40 |

• Characteristics Filter Impedance : 200 Ω •

Schematic



Package



Unless Otherwise Specified Dimensions are in Inches /mm ± .010 / .25