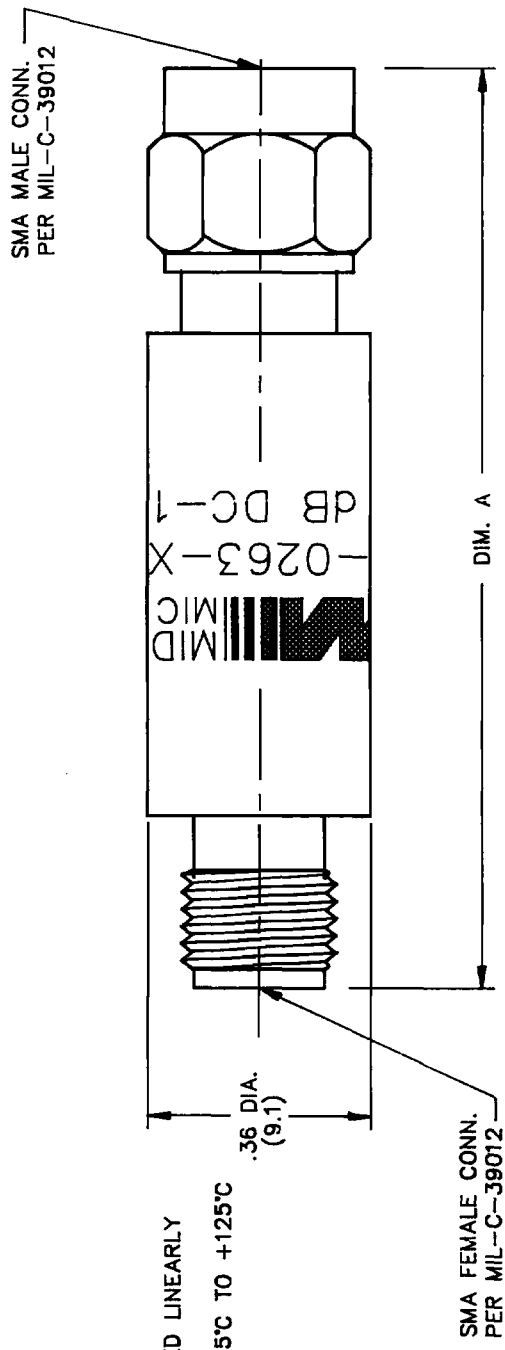


- NOTES:**
- 1.0 ELECTRICAL SPECIFICATIONS:
  - 1.1 FREQUENCY RANGE: DC to 18.0 GHz
  - 1.2 ATTENUATION VALUES AND ACCURACY:
    - 1.2.1 0 dB ±0.3 dB
    - 1.2.2 1 to 10 dB ±0.3 dB
    - 1.2.3 11 to 20 dB ±0.5 dB
    - 1.2.4 21 to 40 dB ±1.0 dB
    - 1.2.5 41 to 60 dB ±1.5 dB
  - 1.3 VSWR:
    - 1.3.1 DC to 4.0 GHz 1.15:1 MAX
    - 1.3.2 4.0 to 12.4 GHz 1.25:1 MAX
    - 1.3.3 12.4 to 18.0 GHz 1.35:1 MAX
  - 2.0 MAXIMUM INPUT POWER:
    - 2 WATTS AVERAGE AT +25°C DERATED LINEARLY
    - TO 0.5 WATTS AT +125°C
  - 3.0 OPERATING TEMPERATURE RANGE: -65°C TO +125°C
  - 4.0 MARKING: MARK UNIT AS SHOWN (REF.: INK-03803-27-XX)
  - 5.0 DIMENSIONS IN PARENTHESIS ARE IN MILLIMETERS.



21 to 60 dB	1.49(37.8)
0 to 20 dB	1.20(30.5)
-XX- ATTENUATION VALUE	DIM A

WAS DWG. 02332-01-00

REV	DESCRIPTION	DATE
-	RELEASED	
A	ENR 2000	8-17-88
B	ENR 4000	11-1-88
C	ENR 4800	7-24-88
D	ENR 6000	7-28-88
E	ENR 6200	8-17-88
F	ENR 12471	8/28/92
F	ENR 12471	10-1-93

ATT-0263-XX-000-02 AND  
ATT-0263-XX-SMA-02 ARE IDENTICAL  
MARKING SHOULD MATCH MODEL NO.  
AS IT APPEARS ON PURCHASE ORDER.

UNLESS OTHERWISE NOTED  
DIMENSIONS ARE IN INCHES  
AND TOLERANCES ARE:

- 3 PLACE DECIMALS ± .005
- 2 PLACE DECIMALS ± .02
- FRACTIONS ± 1/64
- FLATNESS: T.L.R.
- CONCENTRICITY: T.L.R.
- ANGLES AND PERPENDICULARITY: ±1°

FORM NO.  
34078

**MIDWEST MICROWAVE**

TITLE  
MINIATURE ATTENUATOR

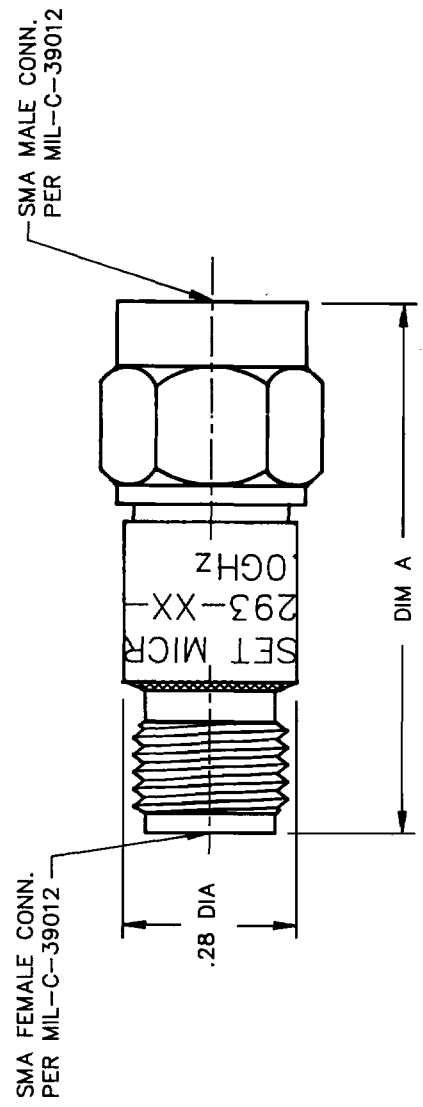
MODEL NUMBER  
ATT-0263-XX-SMA-02

SCALE: 5=1 SHEET 1 of 1



NOTES:

- 1.0 SPECIFICATIONS:
- 1.1 FREQ. RANGE: DC to 4.0 GHz
- 1.2 ATTENUATION ACCURACY:
  - 0dB +0.3/-0dB
  - 0.5 - 6dB ±0.3dB
  - 7 - 20dB ±0.5dB
  - 21 - 30dB ±1.0dB
- 1.3 MAXIMUM VSWR: 1.07 + .015 f (GHz)
- 1.4 MAXIMUM INPUT POWER: 2 WATTS AVG  
AT +25°C DERATED LINEARLY TO  
0.5 WATTS AT +125°C
- 1.5 PEAK POWER: 200 WATTS
- 1.6 OPERATING TEMP. RANGE: -65°C to +125°C
- 2.0 MARKING
- 2.1 MARK UNIT AS SHOWN  
(REF.: INK-09100-27-XX)
- 3.0 EPOXY SEAL WITH EMERSON CUMING ECCOBOND  
45LV WITH CATALYST 15LV



ATTENUATION VALUE	DIM A
0 - 12dB	.86
13 - 30dB	1.02

DATE	DESCRIPTION	REV
7/7/92	RELEASED	-

UNLESS OTHERWISE NOTED  
DIMENSIONS ARE IN INCHES  
AND TOLERANCES ARE:

3 PLACE DECIMALS ± .005  
2 PLACE DECIMALS ± .02  
FRACTIONS ± 1/64  
PARALLELITY: TLR  
FLATNESS: TLR  
CONCENTRICITY: TLR  
ANGLES AND PERPENDICULARITY: ±1°

PEN. NO.  
**34078**

DRW./DATE  
A. BEATTY  
7/9/92

CHK./DATE  
G. [Signature]  
7-13-92

APPROVED/DATE  
M. [Signature]  
7-10-92

**MIDWEST MICROWAVE**

TITLE  
ATTENUATOR

MODEL NUMBER  
ATT-0293-XX-SMA-02

SCALE: 5=1

SHEET 1 of 1