

DIN Connectors (Horizontal Type Sockets)

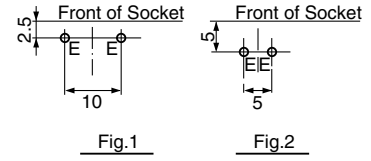
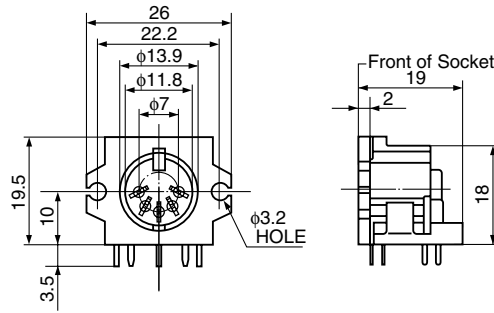
Unit: mm

TCS5300 Series

Quick Locking Type



TCS5350-01-4051



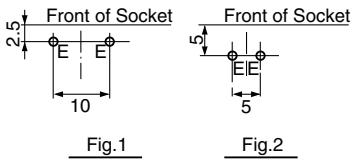
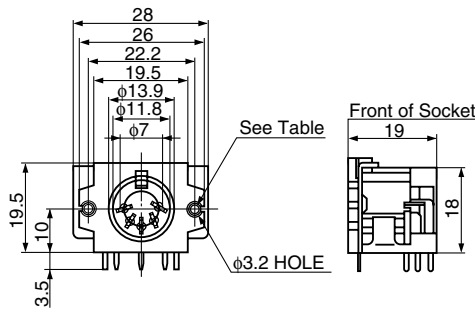
Ground Terminal Position Type

TCS5093 Series

Quick Locking Type



TCS5093-15-4051



Ground Terminal Position Type

No. of Poles	3	4	5a	5b
HOLE LAYOUT (BOTTOM VIEW) Ground Term. Position Type Fig.1				
5c	6	7	8a	8b

DIN Standard No.	41524	—	41524	—	45327	45322	45329	45326	—	
Number of Contacts	3	4	5a	5b	5c	6	7	8a	8b	
Arrangement										
	Mounting Hole	Ground Terminal Position								
TCS5300 Series	—	Fig.1		TCS5350-01-4051		TCS5360-01-4051	TCS5370-01-4051	TCS5380-01-4051	TCS5390-01-4051	
	—	Fig.2		TCS5350-01-4151		TCS5360-01-4151	TCS5370-01-4151	TCS5380-01-4151	TCS5390-01-4151	
TCS5093 Series	M3×0.5	Fig.1		TCS5093-15-4051		TCS5093-16-4051	TCS5093-17-4051	TCS5093-18-4051	TCS5093-19-4051	
		Fig.2		TCS5093-15-4151		TCS5093-16-4151	TCS5093-17-4151	TCS5093-18-4151	TCS5093-19-4151	
	M2.6×0.45	Fig.1		TCS5093-15-4061		TCS5093-16-4061	TCS5093-17-4061	TCS5093-18-4061	TCS5093-19-4061	
		Fig.2		TCS5093-15-4161		TCS5093-16-4161	TCS5093-17-4161	TCS5093-18-4161	TCS5093-19-4161	