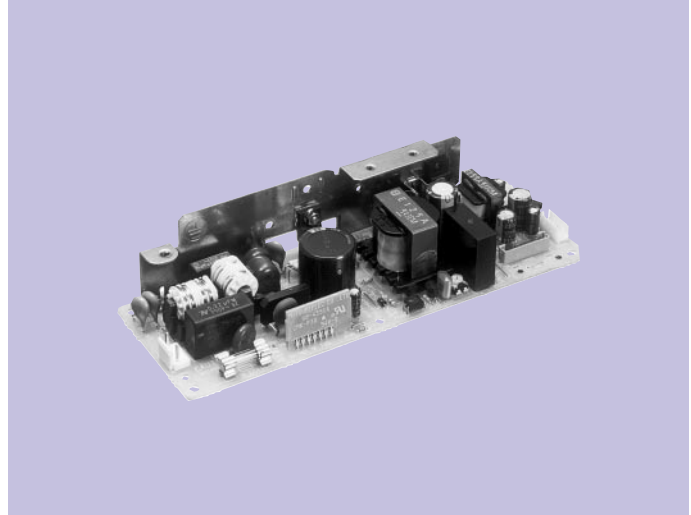


Switching Power Supply For Home Faxes SR590 Series

FEATURES

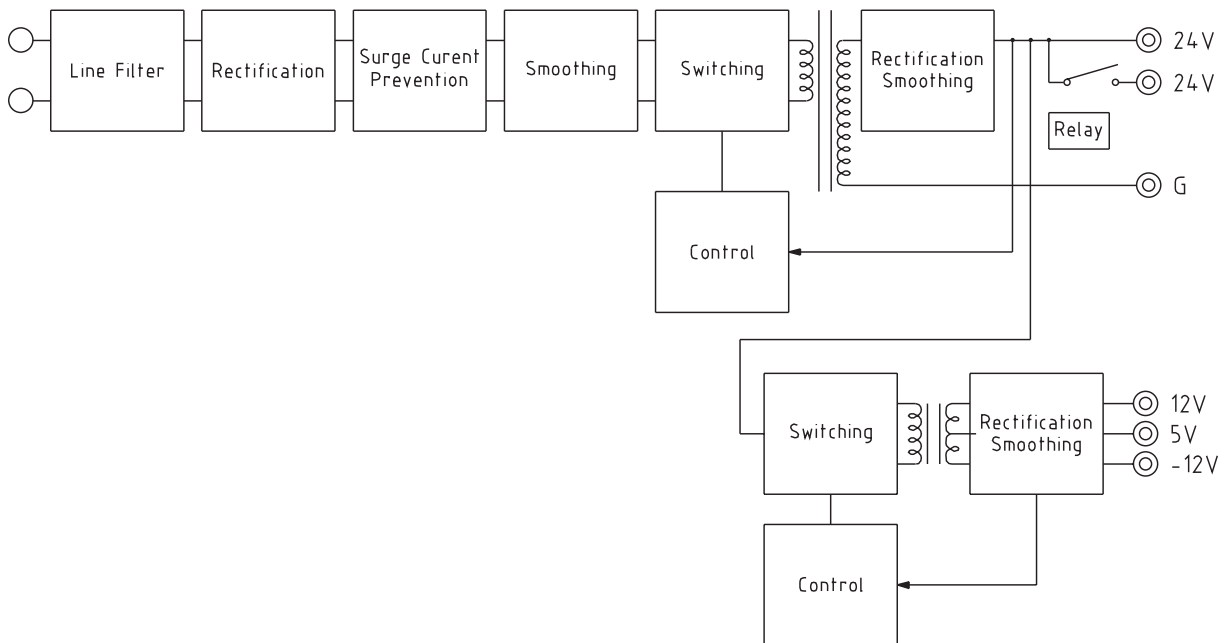
1. An inexpensive price for uniform performance, volume, and size.
2. Low generated heat due to on-off type switching power supply.
3. Low power consumption using two converter system.
4. Design protects against line surges in all regions.
5. Capable of use in Europe and the Mid-East.



APPLICATIONS

1. For home faxes

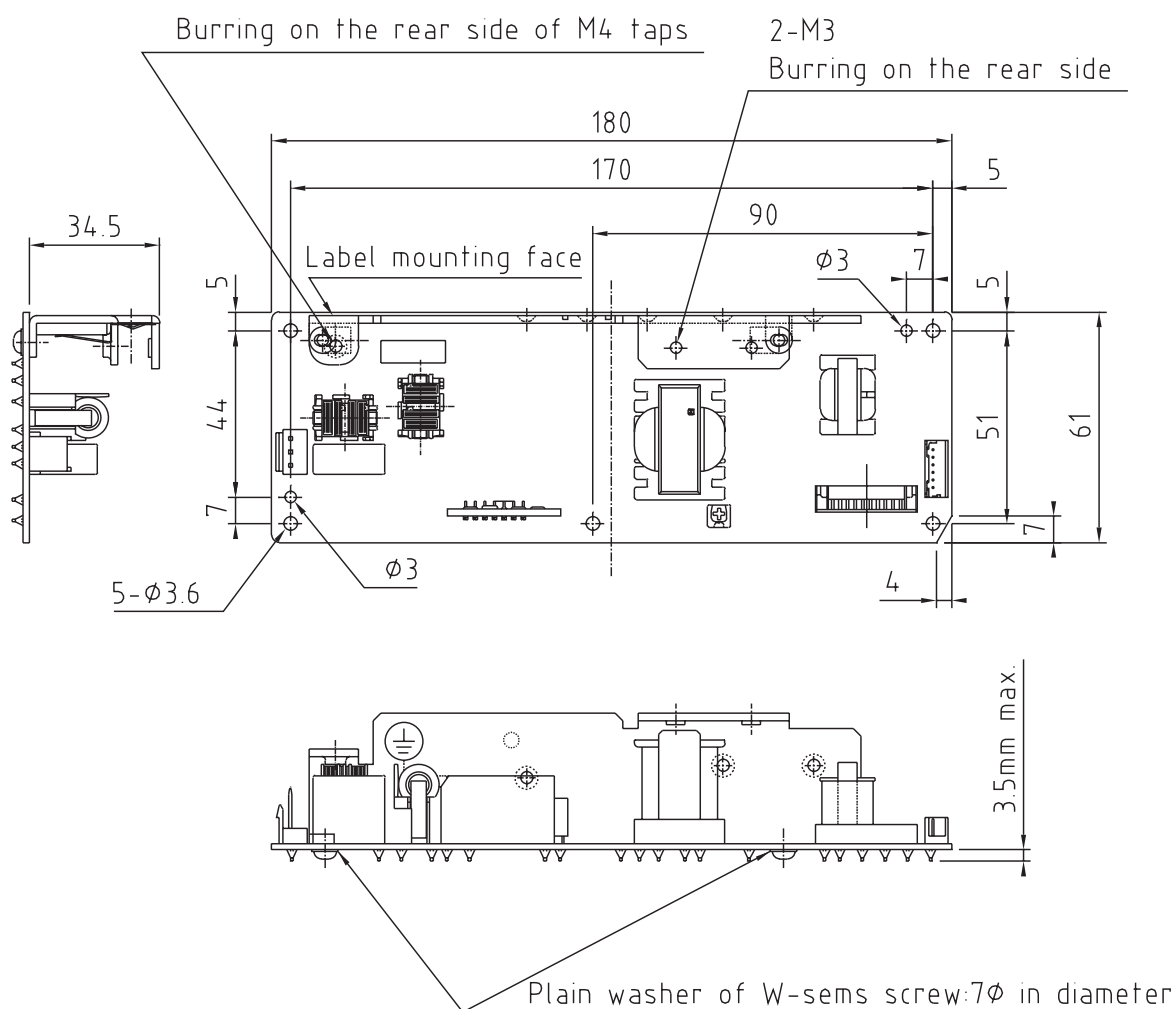
BLOCK DIAGRAM



SPECIFICATIONS

Item	Specifications	
Models	SR590	SR598
Printer Paper	Thermal sensitive type	Printing paper type
Destination	USA, Canada	USA, Canada
Input Voltage	AC 96~138V	AC 96~138V
Output Voltage-Current	5V	0.7A
	24V	1.1A (Peak 5A)
	+12V	0.2A
	-12V	0.06A
24V Sequence Circuit	Yes	Yes

DIMENSIONS



Unit : mm