

1. DESCRIPTION

The S1D16702 is a 68 output low-power resistance common (row) driver which is suitable for driving a very high capacity dotmatrix LCD panels up to a duty ratio of 1/300. It is intended to be used in conjunction with the S1D16006 as a pair.

Since the S1D16006 is so designed to drive LCD's over a wide range of voltages, and also the maximum potential V_0 of its LCD drive bias voltages is isolated from V_{DD} to allow the LCD driving bias voltages to be externally generated optionally with a high accuracy, it can cope with a wide range of LCD panels.

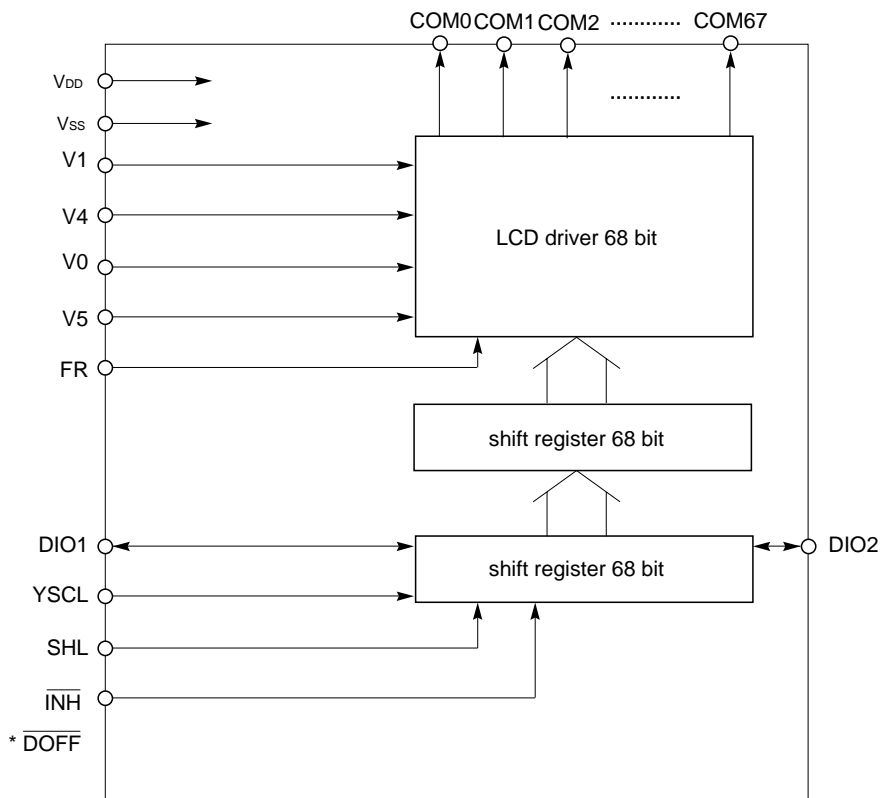
The S1D16702 is featured in its simple pad layout which is easy in mounting PC boards in addition to its selectable bidirectional driver output sequence. It also has 68 LCD output segments of high pressure resistance and low output impedance.

It can display the 65×132 panel when used as the expansion driver of S1D15301 being built in RAM (S1D16702*01**).

2. FEATURES

- Number of LCD drive output segments: 68
- Common output ON resistance: 700 Ω (Typ.)
- Display duty ratio: 1/64 to 1/300 (Reference)
- Display capacity: Possible to display 640×480 dots when used in combination with S1D16006.
- Selectable pin output shift direction
- Instantaneous display blanking enabled by inhibit function (S1D16702*00**)
- Non-bias display off function (S1D16702*01**)
- Adjustable offset bias of LCD power to V_{DD} level
- Wide range of LCD drive voltages: -7 V to -28 V (Absolute maximum rated voltage: -30 V)
- Logic system power supply: -2.7 V to -5.5 V
- Shipping pattern
 - S1D16702D00A* (Al pad chip)
 - S1D16702D01A* (Al pad chip)
 - S1D16702F00A* (80-pin QFP5)
- No radial rays countermeasure taken in designing
- Non-bias display off function

3. BLOCK DIAGRAM



* \overline{INH} in S1D16702*00**
 DOFF in S1D16702*01**

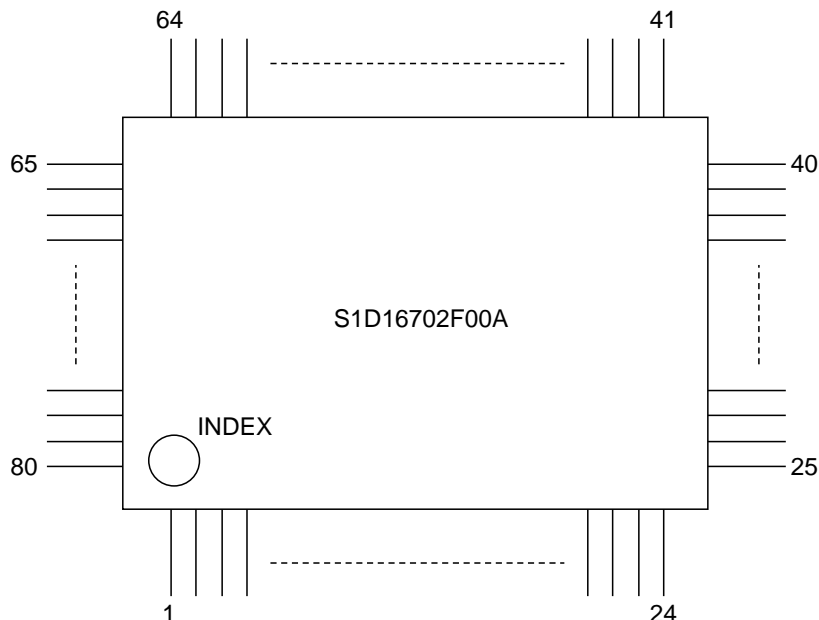
4. PIN DESCRIPTION

Pin name	I/O	Function	Number of pins												
COM0 to COM67	O	LCD drive common (row) output The output changes at the YSCL falling edge.	68												
DIO1, DIO2	I/O	100-bit shift register serial data input/output To be set to input or output according to the SHL input The output changes at the YSCL falling edge.	2												
YSCL	I	Serial data shift clock input The scanning data is shifted at the falling edge.	1												
SHL	I	Display data latch pulse input (Falling edge trigger) Shift direction selection and DIO pin I/O control input <table border="1" data-bbox="533 728 1198 891"> <thead> <tr> <th>SHL</th> <th>COM output shift direction</th> <th>DIO1</th> <th>DIO2</th> </tr> </thead> <tbody> <tr> <td>LOW</td> <td>0 → 67</td> <td>Input</td> <td>Output</td> </tr> <tr> <td>HIGH</td> <td>67 → 0</td> <td>Ourput</td> <td>Input</td> </tr> </tbody> </table>	SHL	COM output shift direction	DIO1	DIO2	LOW	0 → 67	Input	Output	HIGH	67 → 0	Ourput	Input	1
SHL	COM output shift direction	DIO1	DIO2												
LOW	0 → 67	Input	Output												
HIGH	67 → 0	Ourput	Input												
$\overline{\text{DOFF}}$	I	LCD display blanking control input when LOW is input, the content of shift register is cleared and all common outputs become the non-select level instantaneously. (S1D16702*01**)	1												
$\overline{\text{INH}}$	I	LCD display blanking control input When LOW is input, the content of shift register is cleared and all common outputs become the non-select level instantaneously. Common output = V ₄ (when FR = LOW) Common output = V ₁ (when FR = HIGH) (S1D16702*00**)	(1)												
FR	I	LCD drive output AC converted signal input	1												
V _{DD} , V _{SS}	Power supply	Logic power supply V _{DD} : 0 V (GND) V _{SS} : -5.0 V	2												
V ₀ , V ₁ , V ₄ , V ₅	Power supply	LCD drive power supply V ₅ : -7 V to -28 V V _{DD} ≥ V ₀ ≥ V ₁ > V ₄ ≥ V ₅	4												

$\overline{\text{INH}}$ in S1D16702*00**
 $\overline{\text{DOFF}}$ in S1D16702*01**

5. PIN LAYOUT

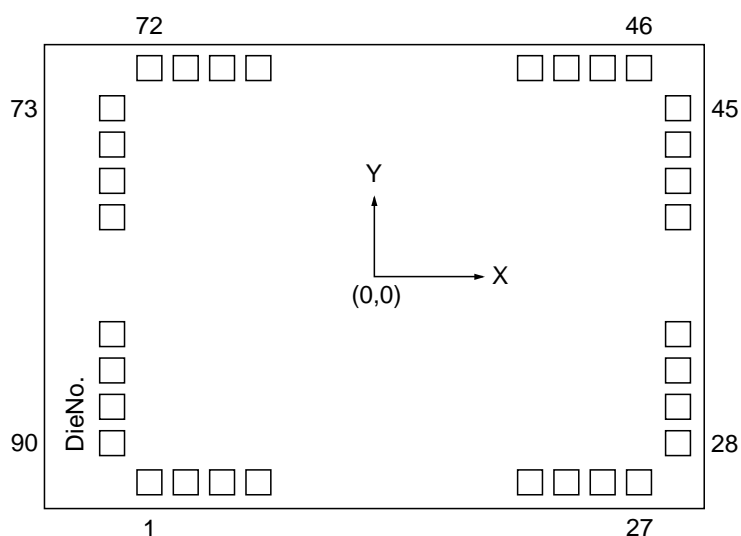
Package type: QFP-5 80pin



PIN No.	Pin Name	PIN No.	Pin Name	PIN No.	Pin Name	PIN No.	Pin Name
1	COM 3	21	COM 23	41	COM 43	61	COM 63
2	COM 4	22	COM 24	42	COM 44	62	COM 64
3	COM 5	23	COM 25	43	COM 45	63	COM 65
4	COM 6	24	COM 26	44	COM 46	64	COM 66
5	COM 7	25	COM 27	45	COM 47	65	COM 67
6	COM 8	26	COM 28	46	COM 48	66	DIO2
7	COM 9	27	COM 29	47	COM 49	67	INH
8	COM 10	28	COM 30	48	COM 50	68	FR
9	COM 11	29	COM 31	49	COM 51	69	YSCL
10	COM 12	30	COM 32	50	COM 52	70	SHL
11	COM 13	31	COM 33	51	COM 53	71	VDD
12	COM 14	32	COM 34	52	COM 54	72	VSS
13	COM 15	33	COM 35	53	COM 55	73	V0
14	COM 16	34	COM 36	54	COM 56	74	V1
15	COM 17	35	COM 37	55	COM 57	75	V4
16	COM 18	36	COM 38	56	COM 58	76	V5
17	COM 19	37	COM 39	57	COM 59	77	DIO1
18	COM 20	38	COM 40	58	COM 60	78	COM 0
19	COM 21	39	COM 41	59	COM 61	79	COM 1
20	COM 22	40	COM 42	60	COM 62	80	COM 2

6. PAD

• Pad layout



Chip size: 4.27×3.03 mm

Chip thickness: 400 μm (for AL pad product) and 525 μm (for BUMP product).

AL pad product: Pad opening is 100 \times 100 μm .

BUMP product: Vertical Au bump.

Bump size is 90 \times 90 μm .

Bump height is 17 to 25 μm .

• Pad center coordinates

PAD NO.	PIN NAME	X	Y	PAD NO.	PIN NAME	X	Y	PAD NO.	PIN NAME	X	Y
1	DM	-1579	-1357	31	COM 29	1976	-711	61	COM 56	-195	1357
2	COM 3	-1449		32	COM 30		-581	62	COM 57	-324	
3	COM 4	-1320		33	COM 31		-452	63	COM 58	-453	
4	COM 5	-1191		34	COM 32		-323	64	COM 59	-583	
5	COM 6	-1062		35	COM 33		-194	65	COM 60	-712	
6	COM 7	-933		36	COM 34		-65	66	COM 61	-841	
7	COM 8	-803		37	COM 35		65	67	COM 62	-970	
8	COM 9	-674		38	COM 36		194	68	COM 63	-1099	
9	COM 10	-545		39	COM 37		323	69	COM 64	-1229	
10	COM 11	-416		40	COM 38		452	70	COM 65	-1358	
11	COM 12	-287		41	COM 39		581	71	COM 66	-1487	
12	COM 13	-154		42	COM 40		711	72	DM	-1616	1357
13	COM 14	-28		43	COM 41		840	73	DM	-1865	1201
14	COM 15	101		44	COM 42		969	74	COM 67		1071
15	COM 16	230		45	DM	1976	1098	75	DIO2		941
16	COM 17	359		46	DM	1743	1357	76	*1 INH		715
17	COM 18	489		47	DM	1614		77	FR		585
18	COM 19	618		48	COM 43	1485		78	YSCL		455
19	COM 20	747		49	COM 44	1355		79	SHL		325
20	COM 21	876		50	COM 45	1226		80	V _{DD}		195
21	COM 22	1005		51	COM 46	1097		81	V _{SS}		55
22	COM 23	1135		52	COM 47	968		82	V ₀		-112
23	COM 24	1264		53	COM 48	839		83	V ₁		-252
24	COM 25	1393		54	COM 49	709		84	V ₄		-391
25	COM 26	1522		55	COM 50	580		85	V ₅		-531
26	DM	1651		56	COM 51	451		86	DIO1		-671
27	DM	1781	-1357	57	COM 52	322		87	COM 0		-810
28	DM	1976	-1098	58	COM 53	193		88	COM 1		-941
29	COM 27	1976	-969	59	COM 54	63		89	COM 2		-1071
30	COM 28	1976	-840	60	COM 55	-66	1357	90	DM	-1865	-1201

*1 PAD No. 76: INH for S1D16702*00**
DOFF for S1D16702*01**

7. FUNCTIONAL DESCRIPTION

Shift register

This is a bidirectional shift register to transfer common data.

Level shifter

This is a level interface circuit used to convert the signal voltage level from the logic system level to LCD drive level.

LCD driver circuit

This driver outputs the LCD drive voltage.

The relationship among the display blanking signal \overline{INH} , contents of shift register, AC converted signal FR and common output voltage is as shown in the table below:

(S1D16702*00**)

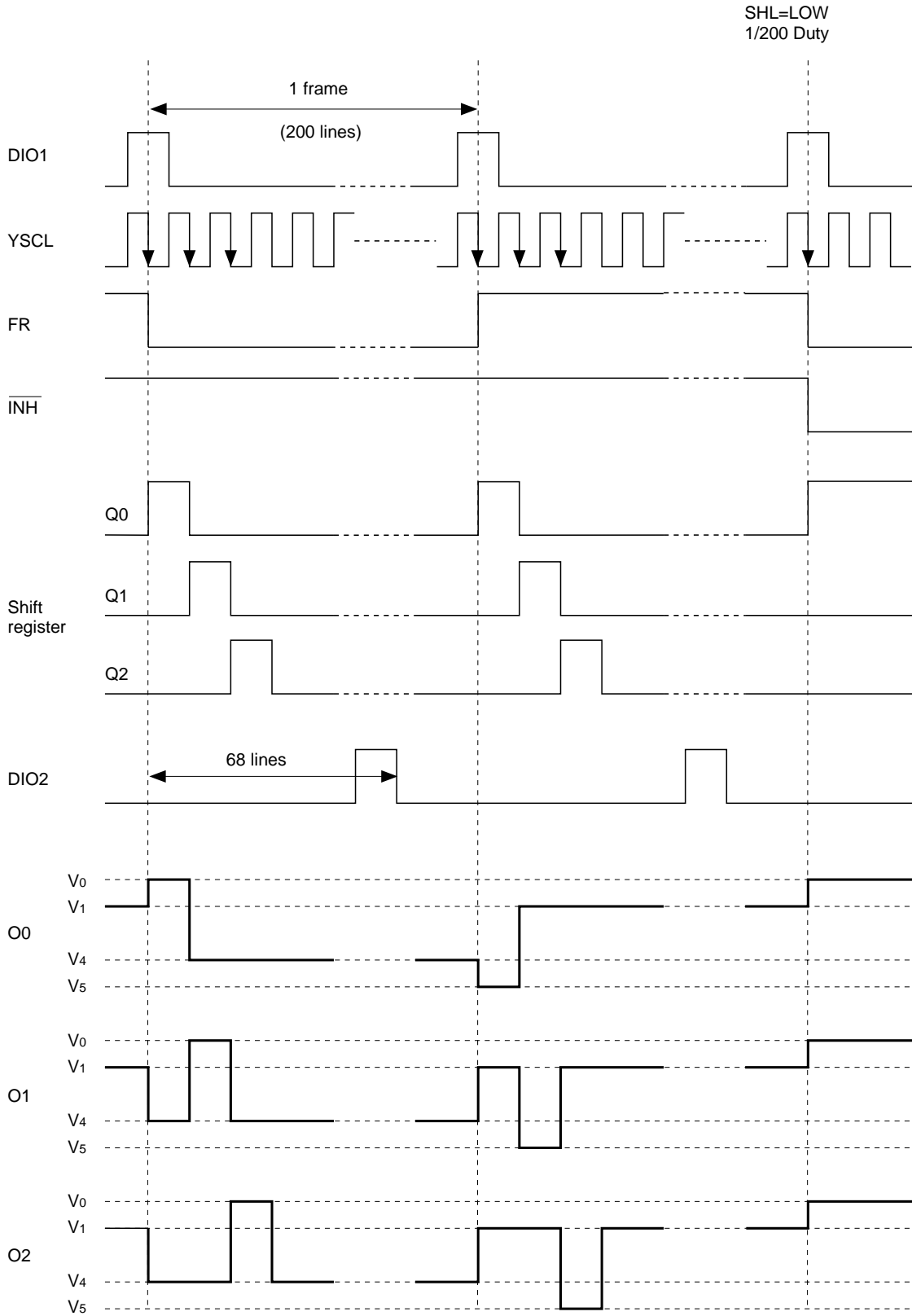
INH	Contents of shift register	FR	COM output voltage	
HIGH	HIGH	HIGH	V5	(Select level)
		LOW	V0	
	LOW	HIGH	V1	(Non-select level)
		LOW	V4	
LOW	Fixed to LOW	HIGH	V1	(Non-select level)
		LOW	V4	

The relationship among the display blanking signal \overline{DOFF} , contents of shift register, AC converted signal FR and common output voltage is as shown in the table below.

(S1D16702*01**)

\overline{DOFF}	Contents of shift register	FR	COM output voltage	
HIGH	HIGH	HIGH	V5	(Select level)
		LOW	V0	
	LOW	HIGH	V1	(Non-select level)
		LOW	V4	
LOW	Fixed to LOW	—	V0	(Non-select level)

8. TIMING CHART



9. ABSOLUTE MAXIMUM RATINGS

V_{DD}=0V

Parameter	Symbol	Rating	Unit
Supply voltage (1)	V _{SS}	-7.0 to +0.3	V
Supply voltage (2)	V ₅	-30.0 to +0.3	V
Supply voltage (3)	V ₀ , V ₁ , V ₄	V ₅ -0.3 to +0.3	V
Input voltage	V _I	V _{SS} -0.3 to +0.3	V
Output voltage	V _O	V _{SS} -0.3 to +0.3	V
Output current (1)	I _O	20	mA
Output current (2)	I _{OCOM}	20	mA
Operating temperature	T _{opr}	-40 to + 85	°C
Storing temperature	T _{stg}	-65 to +150	°C
Soldering temperature and time	T _{sol}	260°C · 10sec	-

Notes:

1. The voltage of V₀, V₁ and V₄ must always satisfy the condition of V_{DD} ≥ V₀ ≥ V₁ ≥ V₄ ≥ V₅.
2. Floating of the logic system power during while the LCD drive system power is applied, or exceeding V_{SS} = -2.6 V or more can cause permanent damage to the LSI. Functional operation under these conditions is not implied.
Care should be taken to the power supply sequence especially in the system power ON or OFF.
3. All the above voltage is based on V_{DD} = 0 V.

10. ELECTRICAL CHARACTERISTICS

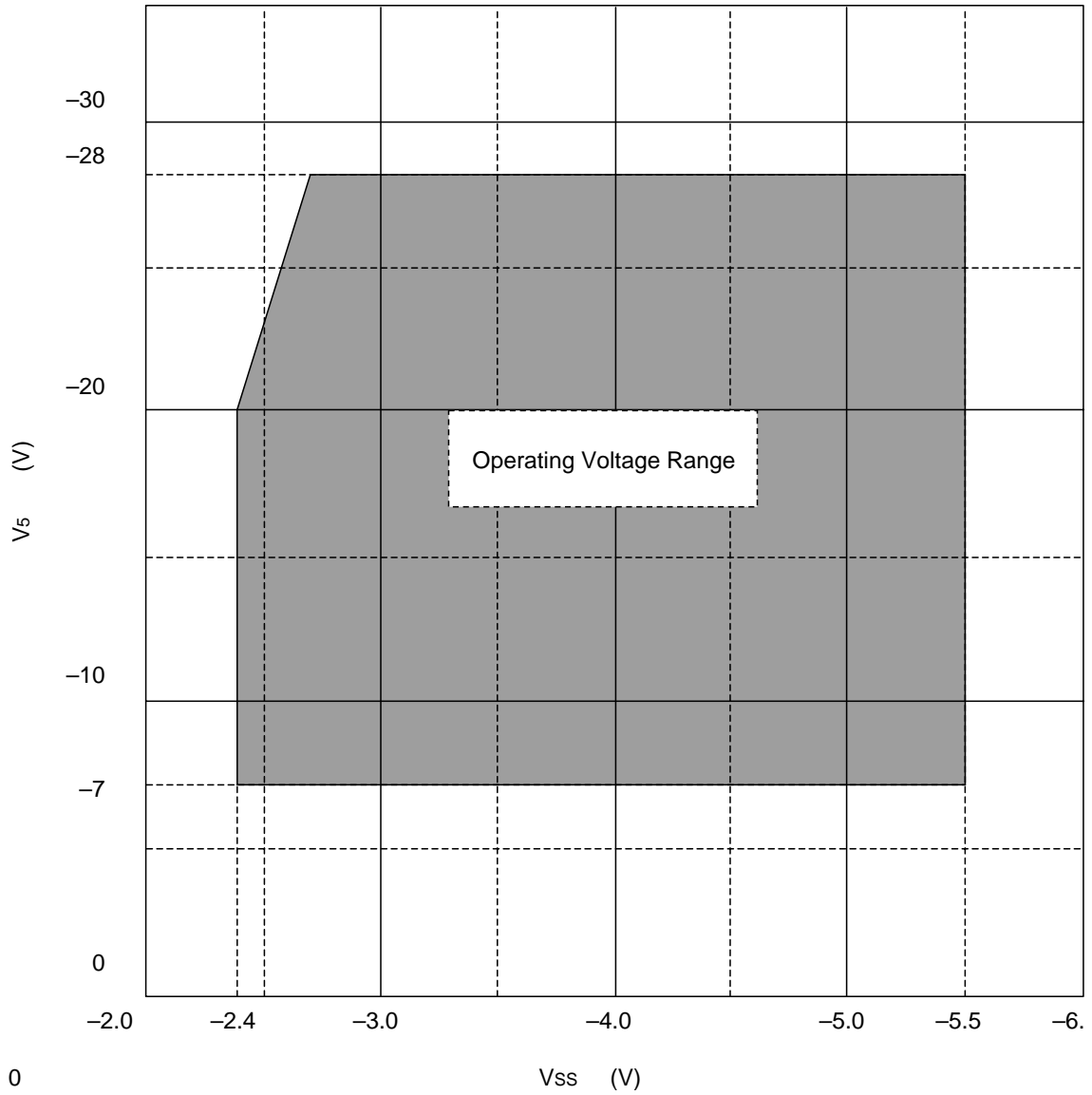
DC characteristics

Unless otherwise specified, $V_{DD} = V_0 = 0V$, $V_{SS} = -5.0V \pm 10\%$, $T_a = -40$ to $85^\circ C$.

Parameter	Symbol	Condition	Min.	Typ.	Max.	Unit	Applicable pin
Supply voltage (1)	V_{SS}	–	–5.5	–5.0	–2.7	V	V_{SS}
Recommended operating voltage	V_5	–	–28.0	–	–7.0	V	V_5
Operation enable voltage	V_5	Functional operation	–	–	–7.0	V	V_5
Supply voltage (2)	V_0	Recommended value	–2.5	–	0	V	V_0
Supply voltage (3)	V_1	Recommended value	$2/9 \cdot V_5$	–	V_{DD}	V	V_1
Supply voltage (4)	V_4	Recommended value	V_5	–	$7/9 \cdot V_5$	V	V_4
HIGH input voltage (1)	V_{IH}	$V_{SS} = -2.7V$ to $-5.5V$	$0.2V_{SS}$	–	0	V	DIO1, DIO2, YSCL, SHL, FR
LOW input voltage (1)	V_{IL}		V_{SS}	–	$0.8V_{SS}$	V	
HIGH input voltage (2)	V_{IHT}	$V_{SS} = -2.7V$ to $-5.5V$	$0.2V_{SS}$	–	0	V	\overline{INH}
LOW input voltage (2)	V_{ILT}		V_{SS}	–	$0.85V_{SS}$	V	
HIGH output voltage	V_{OH}	$I_{OH} = -0.3mA$ $I_{OH} = -0.2mA$ ($V_{SS} = -2.7$ to $-4.5V$)	–0.4	–	0	V	DIO1, DIO2
LOW output voltage	V_{OL}	$I_{OL} = +0.3mA$ $I_{OL} = +0.2mA$ ($V_{SS} = -2.7$ to $-4.5V$)	V_{SS}	–	$V_{SS} + 0.4$	V	
Input leakage current	I_{LI}	$V_{SS} \leq V_{IN} \leq 0V$	–	–	2.0	μA	YSCL, SHL, \overline{INH} , FR
Input/output leakage current	$I_{LI/O}$	$V_{SS} \leq V_{IN} \leq 0V$	–	–	5.0	μA	DIO1, DIO2
Static current	I_{DDS}	$V_5 = -7.0$ to $-28.0V$ $V_{IH} = V_{DD}$, $V_{IL} = V_{SS}$	–	–	25	μA	V_{DD}
Output resistance	R_{COM}	$\Delta V_{ON} = 0.5V$ $V_5 = -20.0V$ When the V_1 , V_4 , V_0 or V_5 level is output	–	0.70	1.40	k Ω	COM0 to COM99
Average operating current consumption (1)	I_{SS1}	$V_{SS} = -5.0V$, $V_{IH} = V_{DD}$, $V_{IL} = V_{SS}$, $f_{YSCL} = 12KHz$, Frame frequency = 60Hz Input data; HIGH at no load every 1/200 duty Other conditions are the same as $V_{SS} = -3.0V$	–	7	15	μA	V_{SS}
			–	5	10		
Average operating current consumption (2)	I_{SS2}	$V_{SS} = -5.0V$, $V_1 = -2.0V$, $V_4 = -18.0V$, $V_5 = -20.0V$ Other conditions are the same as in the item of I_{SS1} .	–	7	15	μA	V_5
Input pin capacitance	C_i	$T_a = 25^\circ C$	–	–	8	pF	YSCL, SHL, \overline{INH} , FR
Input/output pin capacitance	$C_{I/O}$		–	–	15	pF	DIO1, DIO2

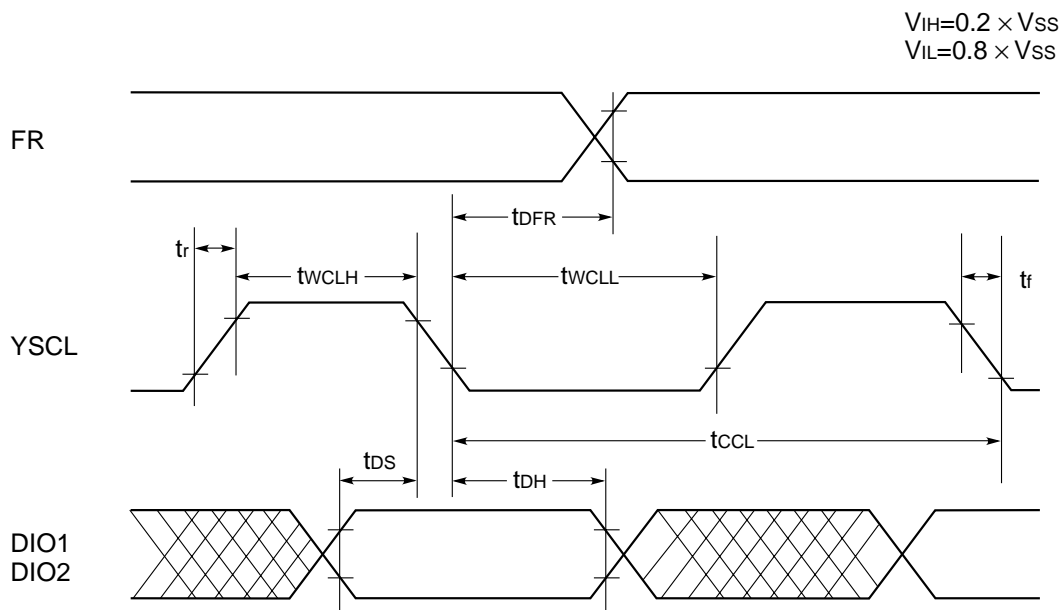
Operating Voltage Range VSS – V5

V5 voltage must be set within the following operating voltage range of VSS – V5.



AC Characteristics

Input timing characteristics



Unless otherwise specified $V_{SS}=-5.0V \pm 10\%$, $T_a=-40$ to 85°C

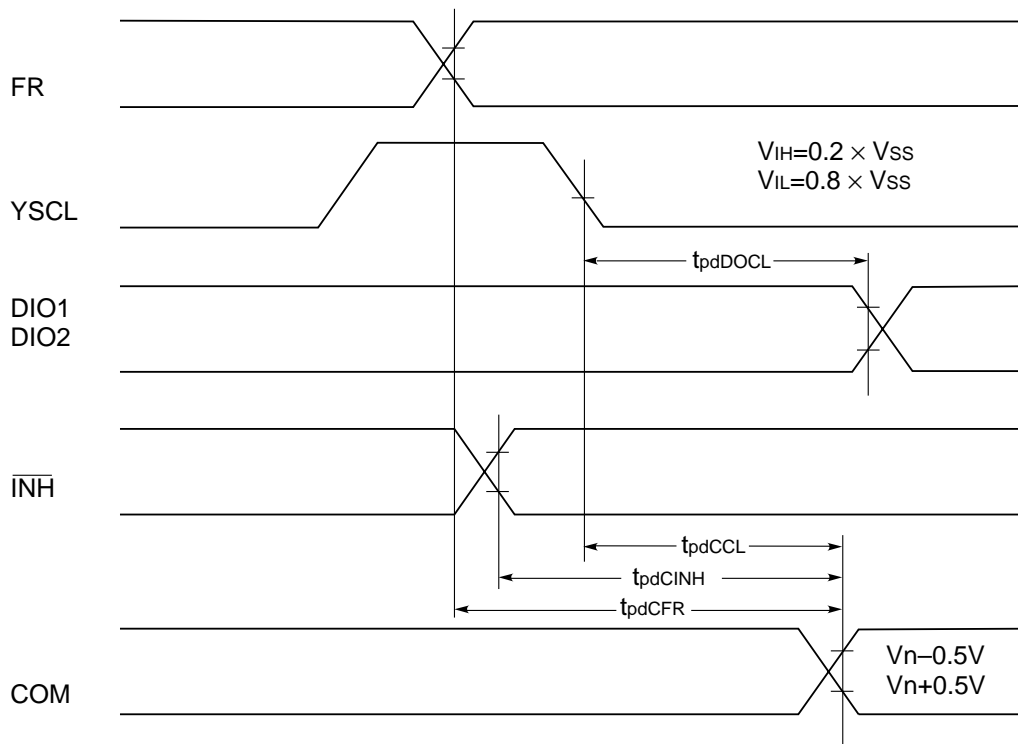
Parameter	Symbol	Condition	Min.	Max.	Unit
Input signal rise time	t_r	—	—	50	ns
Input signal fall time	t_f	—	—	50	ns
YSCL period	t_{CCL}	—	500	—	ns
YSCL HIGH pulsewidth	t_{WCLH}	—	70	—	ns
YSCL LOW pulsewidth	t_{WCLL}	—	330	—	ns
Data setup time	t_{DS}	—	100	—	ns
Data hold time	t_{DH}	—	10	—	ns
Allowable FR delay time	t_{DFR}	—	-500	500	ns

Unless otherwise specified $V_{SS}=-2.7V$ to $-4.5V$, $T_a=-40$ to 85°C

Parameter	Symbol	Condition	Min.	Max.	Unit
Input signal rise time	t_r	—	—	50	ns
Input signal fall time	t_f	—	—	50	ns
YSCL period	t_{CCL}	—	1000	—	ns
YSCL HIGH pulsewidth	t_{WCLH}	—	160	—	ns
YSCL LOW pulsewidth	t_{WCLL}	—	330	—	ns
Data setup time	t_{DS}	—	200	—	ns
Data hold time	t_{DH}	—	10	—	ns
Allowable FR delay time	t_{DFR}	—	-500	500	ns

The standard applicable to t_{CCL} , t_{WCLH} , t_{WCLL} , t_{DS} and t_{DH} when $V_{SS} = -2.4V$ must be 1.3 times of that applies when $V_{SS} = -2.7V$ to $-4.5V$.

Output timing characteristics



Unless otherwise specified $V_{SS}=-5.0V \pm 10\%$, $T_a=-40$ to $85^\circ C$

Parament	Symbol	Condition	Min.	Max.	Unit
(YSCL - fall to DIO) delay time	t_{pdDOCL}	$CL=15pF$	30	300	ns
(YSCL - fall to COM output) delay time	t_{pdCCL}	$V_5=-7.0$ to $-28.0V$	-	3.0	μs
(\overline{INH} to COM output) delay time	t_{pdCINH}				
(FR to COM output) delay time	t_{pdCFR}	$CL=100pF$	-	3.0	μs

Unless otherwise specified $V_{SS}=-2.7V$ to $-4.5V$, $T_a=-40$ to $85^\circ C$

Parament	Symbol	Condition	Min.	Max.	Unit
(YSCL - fall to DIO) delay time	t_{pdDOCL}	$CL=15pF$	60	600	ns
(YSCL - fall to COM output) delay time	t_{pdCCL}	$V_5=-7.0$ to $-28.0V$	-	3.0	μs
(\overline{INH} to COM output) delay time	t_{pdCINH}				
(FR to COM output) delay time	t_{pdCFR}	$CL=100pF$	-	3.0	μs

The standard applicable when $V_{SS} = -2.4 V$ must be 1.3 times of that applies when $V_{SS} = -2.7 V$ to $-4.5 V$.

11. LCD DRIVE POWER

Each voltage level forming method

To obtain each voltage level for LCD driving, it is the most simple to divide the resistance of potential as shown in the connection example.

On the other hand, to obtain a high quality display, it is necessary to raise the accuracy and constancy of each voltage level and to set the divided resistance value as low as possible in the range of system power capacity. Especially when a low-power LCD driving is required, set the divided resistance to a higher value and drive the LCD with a voltage follower by means of operational amplifier instead. In taking into consideration of a case where the operational amplifier is employed, the maximum potential level V_0 for LCD driving has been isolated from the VDD pin. When the potential of V_0 lowers than that of VDD and the potential difference between the two becomes larger, however, the capacity of LCD drive output driver lowers. To avoid it, use the system with the potential difference of 0 V to 2.5 V between V_0 and VDD.

When no operational amplifier is used, connect V_0 and VDD pins.

Note in power ON/OFF

Since this LSI is high in the voltage of LCD driving system, when a high voltage is applied to the LCD driving system with the logic system power supply kept floating, an overcurrent flows and LSI breaks down in some cases.

Be sure to follow the power ON/OFF sequence as shown below:

At power ON ... Logic system ON → LCD driving system ON or simultaneous ON of the both
 At power OFF ... LCD driving system OFF → Logic system OFF or simultaneous OFF of the both

Precautions:

Users of this development specification are reminded of the following precautions.

1. This development specification is subject to change without previous notice.
2. This specification does not warrant the user to exercise the industrial property right or other rights, nor does this specification vest such rights to the user.

Application examples provided in this specification are solely intended to ensure better understanding of the product. The manufacturer shall not be liable for any circuit related problem arising from using such examples.

Numeric representation of measure or size provided in the characteristics table is one obtained from the numeric line.

3. No part of this specification may be reproduced or duplicated in any form or by any means without the written permission of the manufacturer.
4. As for use of semiconductor elements, users are required to pay attention to the following points.

[Precautions on the Product Handling in Light]

Characteristics of semiconductor elements are changed if they are exposed to light. Thus, exposing this IC to light can result in its malfunction. In order to prevent IC malfunctioning due to light, make sure that the following measures are taken for the boards or products equipped with our IC.

- (1) Design and mounting procedure employed do not allow light to IC.
- (2) The inspection process is implemented in the environment that does not allow light to IC.
- (3) Light shielding measures are established not only for surface of IC but also for rear face and side faces, too.

12. DIFFERENT POINTS FROM REPLACEMENT PRODUCT

	S1D16702*00**	S1D16300*****
Function	Bidirectional shift register INH 68 output segments	Bidirectional shift register INH 68 output segments
Output Tr configuration	Fig. 1	Fig. 2
PAD layout	Identical to the equivalent product	-
PAD coordinates	Different from the equivalent product	-

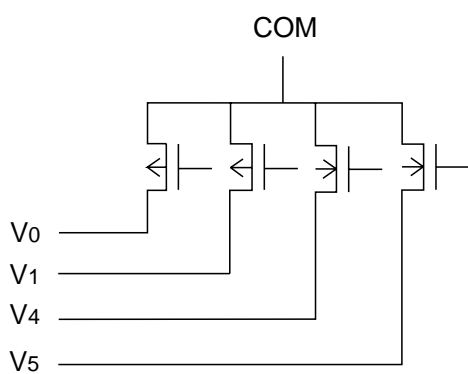


Fig. 1

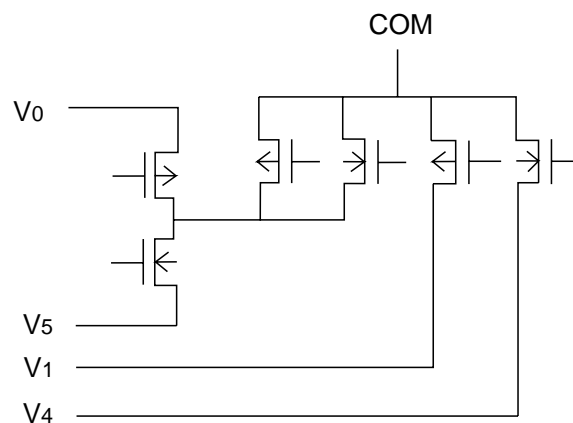


Fig. 2