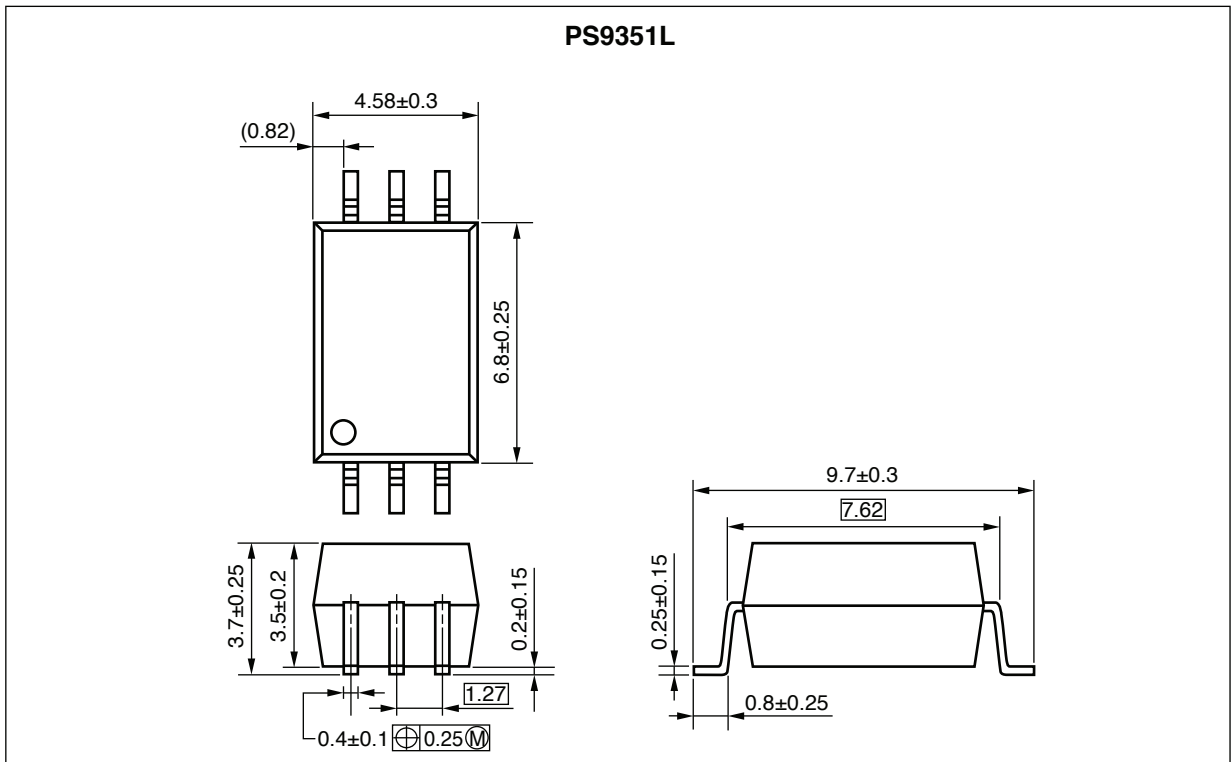
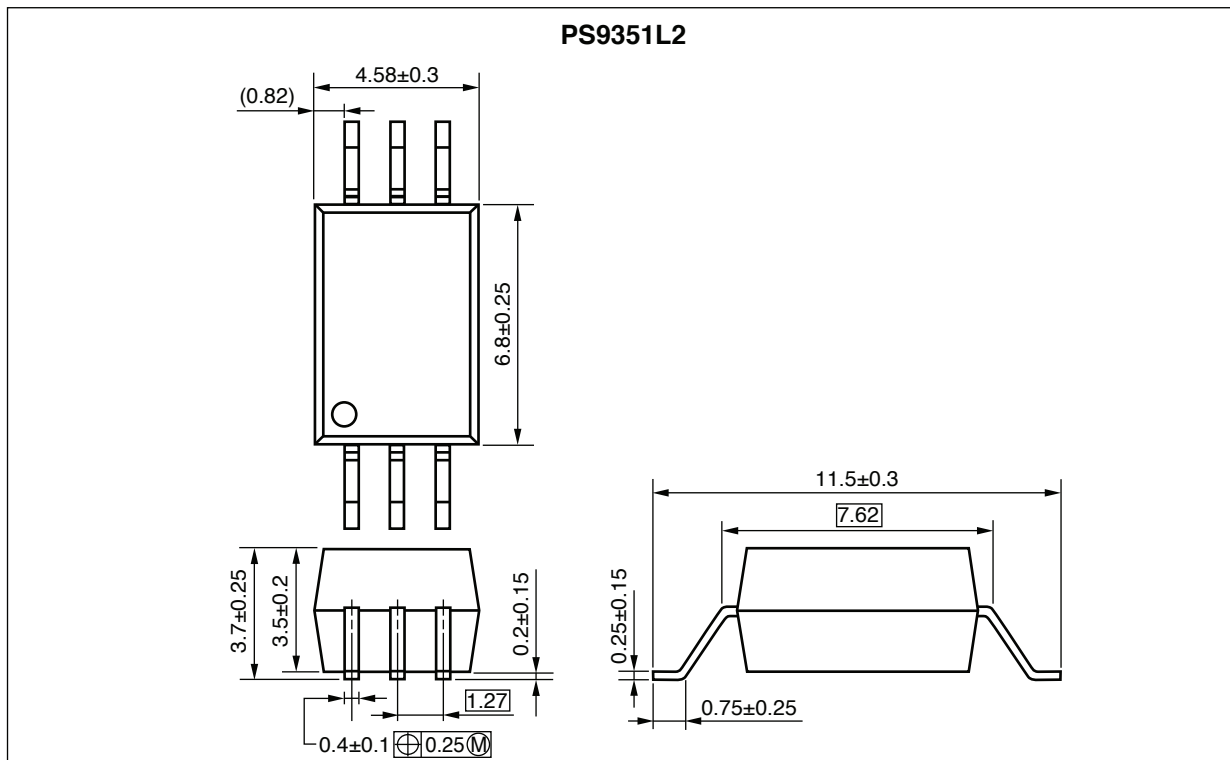


PACKAGE DIMENSIONS (UNIT: mm)

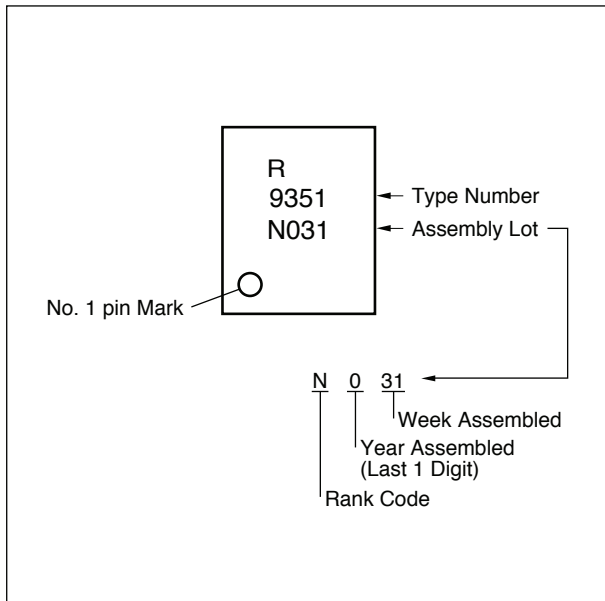
Lead Bending Type (Gull-wing) For Surface Mount



Lead Bending Type For Long Creepage Distance (Gull-wing) For Surface Mount



MARKING EXAMPLE



PHOTOCOUPLER CONSTRUCTION

Parameter	PS9351L	PS9351L2
Air Distance (MIN.)	7 mm	8 mm
Outer Creepage Distance (MIN.)	7 mm	8 mm
Isolation Distance (MIN.)	0.4 mm	0.4 mm

ORDERING INFORMATION

Part Number	Order Number	Solder Plating Specification	Packing Style
PS9351L	PS9351L-AX	Pb-Free (Ni/Pd/Au)	20 pcs (Tape 20 pcs cut)
PS9351L-E3	PS9351L-E3-AX		Embossed Tape 2 000 pcs/reel
PS9351L2	PS9351L2-AX		20 pcs (Tape 20 pcs cut)
PS9351L2-E3	PS9351L2-E3-AX		Embossed Tape 2 000 pcs/reel
PS9351L-V	PS9351L-V-AX		20 pcs (Tape 20 pcs cut)
PS9351L-V-E3	PS9351L-V-E3-AX		Embossed Tape 2 000 pcs/reel
PS9351L2-V	PS9351L2-V-AX		20 pcs (Tape 20 pcs cut)
PS9351L2-V-E3	PS9351L2-V-E3-AX		Embossed Tape 2 000 pcs/reel

*1 For the application of the Safety Standard, following part number should be used.

ABSOLUTE MAXIMUM RATINGS (T_A = 25°C, unless otherwise specified)

Parameter		Symbol	Ratings	Unit
Diode	Forward Current *1	I _F	25	mA
	Reverse Voltage	V _R	5	V
Detector	Supply Voltage	V _{DD}	0 to 5.5	V
	Output Voltage	V _O	-0.5 to V _{DD} +0.5	V
	Output Current	I _O	2	mA
Isolation Voltage *2		BV	5000	Vr.m.s.
Operating Ambient Temperature		T _A	-40 to +100	°C
Storage Temperature		T _{stg}	-55 to +125	°C

*1 Reduced to 0.3 mA/°C at T_A = 70°C or more.

*2 AC voltage for 1 minute at T_A = 25°C, RH = 60% between input and output.
 Pins 1-3 shorted together, 4-6 shorted together.

RECOMMENDED OPERATING CONDITIONS (T_A = 25°C)

Parameter	Symbol	MIN.	TYP.	MAX.	Unit
Forward Current	I _F	10		16	mA
Supply Voltage	V _{DD}	4.5	5.0	5.5	V

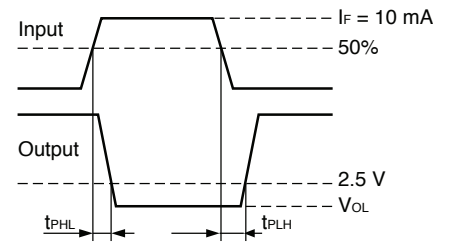
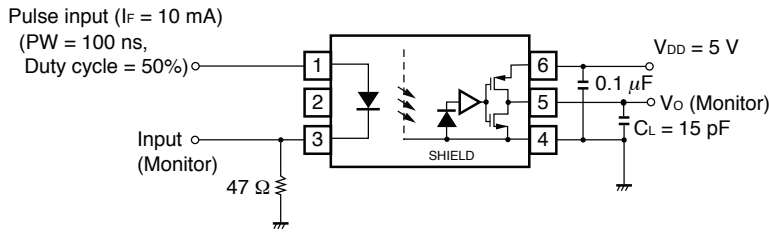
ELECTRICAL CHARACTERISTICS ($T_A = -40$ to $+100^\circ\text{C}$, $V_{DD} = 4.5$ to 5.5 V, unless otherwise specified)

Parameter		Symbol	Conditions	MIN.	TYP. *1	MAX.	Unit				
Diode	Forward Voltage	V_F	$I_F = 10$ mA, $T_A = 25^\circ\text{C}$	1.2	1.56	1.8	V				
	Reverse Current	I_R	$V_R = 3$ V, $T_A = 25^\circ\text{C}$			10	μA				
	Terminal Capacitance	C_t	$V = 0$ V, $f = 1$ MHz, $T_A = 25^\circ\text{C}$		30		pF				
Detector	High Level Supply Current	I_{DDH}	$I_F = 0$ mA		2.5	5	mA				
	Low Level Supply Current	I_{DDL}	$I_F = 10$ mA		2	5					
	High Level Output Voltage	V_{OH}	$I_O = -20$ μA , $I_F = 0$ mA	4.0	5.0		V				
	Low Level Output Voltage *2	V_{OL}	$I_O = 20$ μA , $I_F = 10$ mA		0	0.1					
Coupled	Threshold Input Current	I_{FHL}	$V_O < 1$ V		1.9	5	mA				
	Isolation Resistance	R_{I-O}	$V_{I-O} = 1$ kV _{DC} , RH = 40 to 60%, $T_A = 25^\circ\text{C}$	10^{11}				Ω			
	Isolation Capacitance	C_{I-O}	$V = 0$ V, $f = 1$ MHz, $T_A = 25^\circ\text{C}$		0.7						
	Propagation Delay Time (H \rightarrow L) *3	t_{PHL}	$I_F = 10$ mA, $V_{DD} = 5$ V, $C_L = 15$ pF, CMOS Levels		30	60			ns		
	Propagation Delay Time (L \rightarrow H) *3	t_{PLH}			35	60					
	Pulse Width	PW		100							
	Pulse Width Distortion (PWD) *3	$ t_{PHL} - t_{PLH} $			5	30					
	Propagation Delay Skew	t_{PSK}				40					
	Rise Time	t_r			4						
	Fall Time	t_f			4						
	Common Mode Transient Immunity at High Level Output *4	CM_H		$V_{DD} = 5$ V, $I_F = 0$ mA, $V_{CM} = 1$ kV, $V_O > 4$ V, $T_A = 25^\circ\text{C}$	15	20					kV/ μs
	Common Mode Transient Immunity at Low Level Output *4	CM_L		$V_{DD} = 5$ V, $I_F = 10$ mA, $V_{CM} = 1$ kV, $V_O < 1$ V, $T_A = 25^\circ\text{C}$	15	20					

*1 Typical values at $T_A = 25^\circ\text{C}$

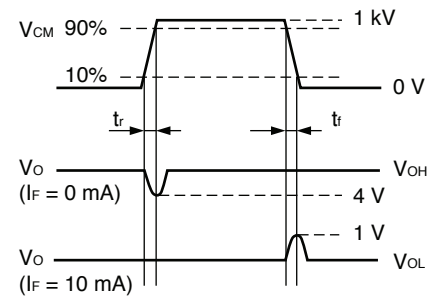
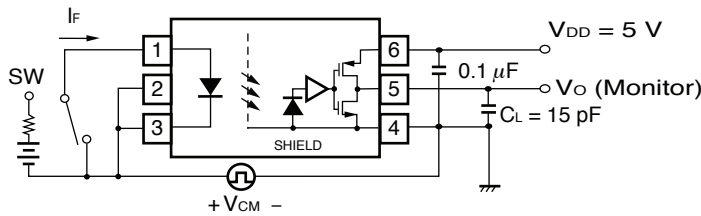
*2 Because V_{OL} of 2 V or more may be output when LED current input and when output supply, it is important to confirm the characteristics (operation with the power supply on and off) during design, before using this device.

***3** Test circuit for propagation delay time



Remark CL includes probe and stray wiring capacitance.

4 Test circuit for common mode transient immunity



Remark CL includes probe and stray wiring capacitance.

USAGE CAUTIONS

1. This product is weak for static electricity by designed with high-speed integrated circuit so protect against static electricity when handling.
2. By-pass capacitor of more than 0.1 μ F is used between V_{DD} and GND near device. Also, ensure that the distance between the leads of the photocoupler and capacitor is no more than 10 mm.
3. Pin 2 (which is an NC^{*1} pin) can either be connected directly to the GND pin on the LED side or left open. Unconnected pins should not be used as a bypass for signals or for any other similar purpose because this may degrade the internal noise environment of the device.

^{*1} NC: Not connected (No connection)

4. Avoid storage at a high temperature and high humidity.

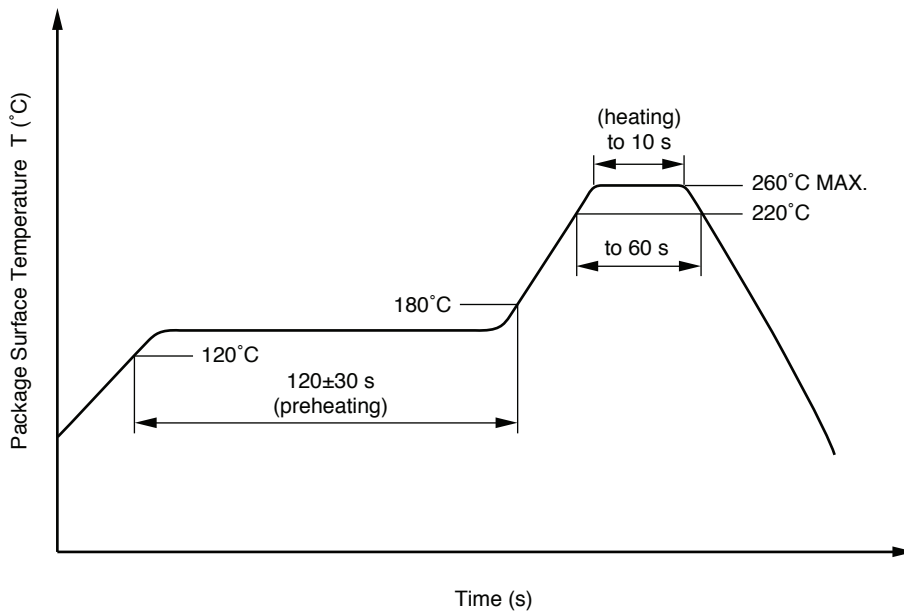
NOTES ON HANDLING

1. Recommended soldering conditions

(1) Infrared reflow soldering

- Peak reflow temperature 260°C or below (package surface temperature)
- Time of peak reflow temperature 10 seconds or less
- Time of temperature higher than 220°C 60 seconds or less
- Time to preheat temperature from 120 to 180°C 120±30 s
- Number of reflows Three
- Flux Rosin flux containing small amount of chlorine (The flux with a maximum chlorine content of 0.2 Wt% is recommended.)

Recommended Temperature Profile of Infrared Reflow



(2) Wave soldering

- Temperature 260°C or below (molten solder temperature)
- Time 10 seconds or less
- Preheating conditions 120°C or below (package surface temperature)
- Number of times One (Allowed to be dipped in solder including plastic mold portion.)
- Flux Rosin flux containing small amount of chlorine (The flux with a maximum chlorine content of 0.2 Wt% is recommended.)

(3) Soldering by soldering iron

- Peak temperature (lead part temperature) 350°C or below
- Time (each pins) 3 seconds or less
- Flux Rosin flux containing small amount of chlorine (The flux with a maximum chlorine content of 0.2 Wt% is recommended.)

(a) Soldering of leads should be made at the point 1.5 to 2.0 mm from the root of the lead.

(b) Please be sure that the temperature of the package would not be heated over 100°C.

(4) Cautions

- Fluxes

Avoid removing the residual flux with freon-based and chlorine-based cleaning solvent.

2. Cautions regarding noise

Be aware that when voltage is applied suddenly between the photocoupler's input and output at startup, the CMOS IC on output side may enter the on state, even if the voltage is within the absolute maximum ratings.