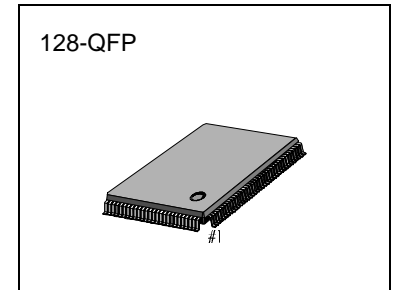


1

PRODUCT OVERVIEW

INTRODUCTION

KS1453 is a data processing IC that can operate in 1x DVDP or 4x CD (audio/VCD) mode. It receives the sliced output (EFM signals) of the RF signal from the disc and carries out data demodulation and error correction. It includes a buffer control feature that allows the demodulated data to be continuously output in hand shake mode.



FEATURES

- External plck input
- EFM/EFMPLUS demodulator
- Sync protection/insertion
- CIRC/RS-PC error correction (4/16 erasure correction)
- Cross/row deinterleave
- 4 - 16 Mbits DRAM interface (external component for error correction/track buffering)
- Descramble
- ID error correction
- Main data error detection (EDC)
- Error flag monitoring
- MICOM interface
- MICOM direct memory access feature (DVD/CD)
- DSI detection and DSI data output
- A/V decoder parallel interface
- Built-in CD-DA decoder
- Sub-code data serial output
- Spindle servo control signal generation
- DVD playback
- CD/VCD playback
- CLV/CAV feature
- CD/VCD repeat correcting feature
- Technology
 - Application mode: CD_Player, CD_ROM, Video-CD, DVDP player

BLOCK DIAGRAM

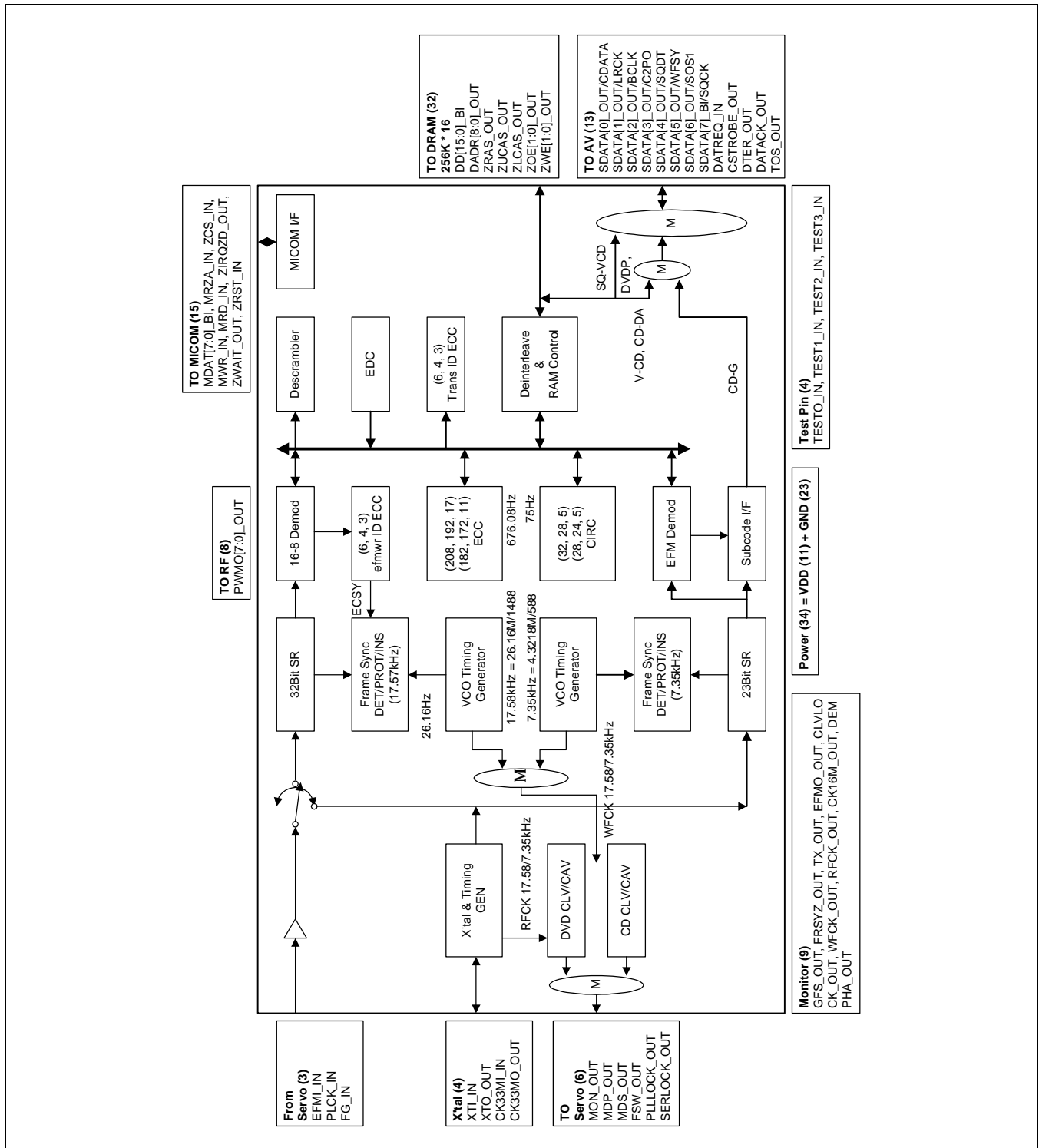


Figure 1. Block Diagram

PIN CONFIGURATION

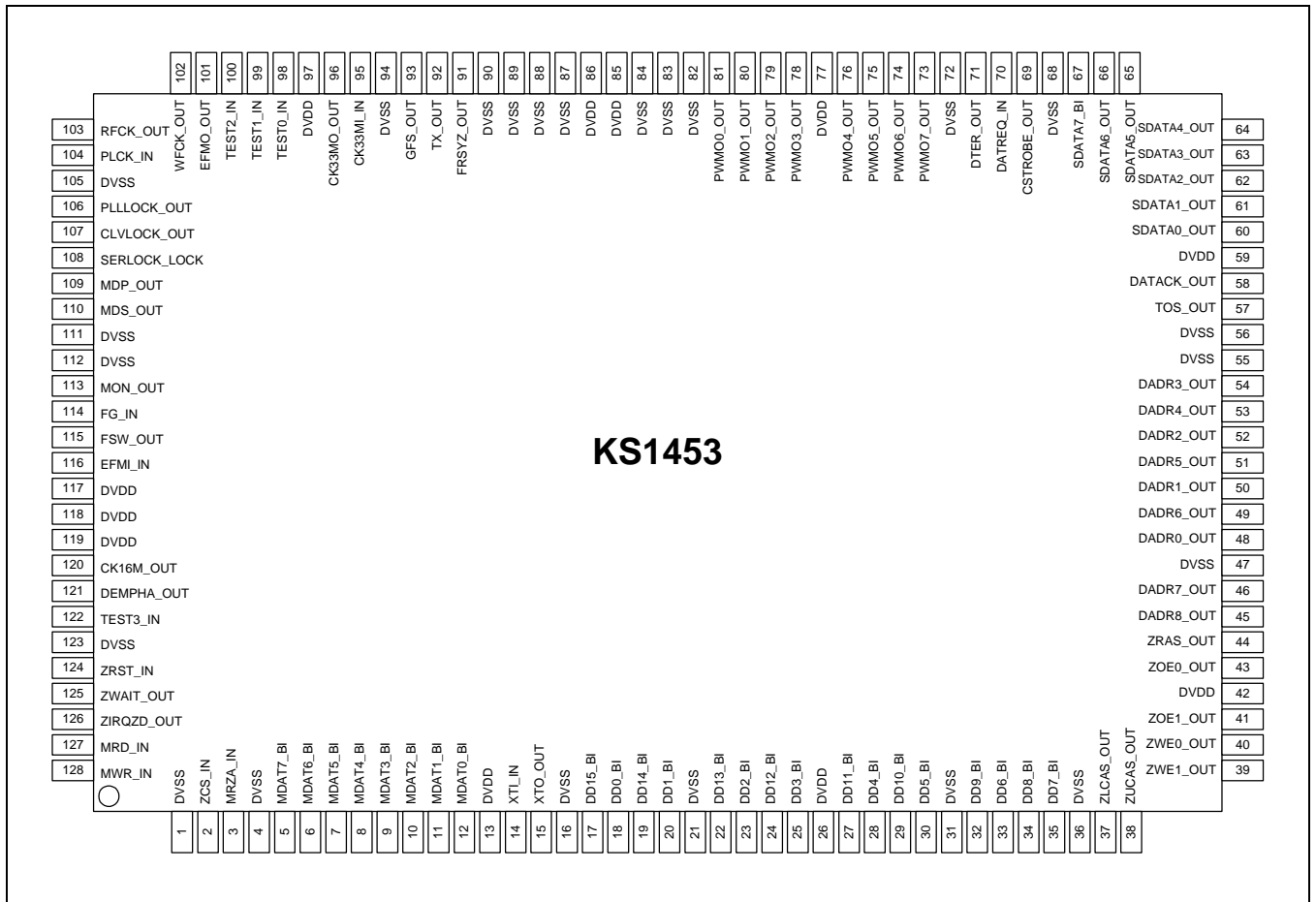


Figure 2. Pin Configuration

PIN DESCRIPTION

Table 1. Pin Description

No	Pin Name	Description	I/O	Note
1	DVSS	Digital GND (0V)		
2	ZCS_IN	Chip select (active low), pull_up pin	I	MICOM
3	MRZA_IN	MICOM register select, pull_up pin (L → register, H → data)	I	MICOM
4	DVSS	Digital GND (0V)		
5	MDAT7_BI	MICOM data bus	B	MICOM
6	MDAT6_BI	MICOM data bus	B	MICOM
7	MDAT5_BI	MICOM data bus	B	MICOM
8	MDAT4_BI	MICOM data bus	B	MICOM
9	MDAT3_BI	MICOM data bus	B	MICOM
10	MDAT2_BI	MICOM data bus	B	MICOM
11	MDAT1_BI	MICOM data bus	B	MICOM
12	MDAT0_BI	MICOM data bus	B	MICOM
13	DVDD	Digital power (+5V)		
14	XTI_IN	System clock input for 26.16MHz	I	XTAL
15	XTO_OUT	System clock output for 26.16MHz	O	XTAL
16	DVSS	Digital GND (0V)		
17	DD15_BI	DRAM data bus	B	DRAM
18	DD0_BI	DRAM data bus	B	DRAM
19	DD14_BI	DRAM data bus	B	DRAM
20	DD1_BI	DRAM data bus	B	DRAM
21	DVSS	Digital GND (0V)		
22	DD13_BI	DRAM data bus	B	DRAM
23	DD2_BI	DRAM data bus	B	DRAM
24	DD12_BI	DRAM data bus	B	DRAM
25	DD3_BI	DRAM data bus	B	DRAM
26	DVDD	DIGITAL power (+5V)		
27	DD11_BI	DRAM data bus	B	DRAM
28	DD4_BI	DRAM data bus	B	DRAM
29	DD10_BI	DRAM data bus	B	DRAM
30	DD5_BI	DRAM data bus	B	DRAM
31	DVSS	DIGITAL GND (0V)		
32	DD9_BI	DRAM data bus	B	DRAM
33	DD6_BI	DRAM data bus	B	DRAM
34	DD8_BI	DRAM data bus	B	DRAM
35	DD7_BI	DRAM data bus	B	DRAM

Table 1. Pin Description (Continued)

No	Pin Name	Description	I/O	Note
36	DVSS	Digital GND (0V)		
37	ZLCAS_OUT	DRAM low column address strobe	O	DRAM
38	ZUCAS_OUT	DRAM upper column address strobe	O	DRAM
39	ZWE1_OUT	DRAM write enable 1 (8M only)	O	DRAM
40	ZWE0_OUT	DRAM write enable 0 (4M, 8M, 16M)	O	DRAM
41	ZOE1_OUT	DRAM output enable 1 (DADR9 in 16M mode)	O	DRAM
42	DVDD	Digital power (+5V)		
43	ZOE0_OUT	DRAM output enable 0	O	DRAM
44	ZRAS_OUT	DRAM row address strobe	O	DRAM
45	DADR8_OUT	DRAM address bus	O	DRAM
46	DADR7_OUT	DRAM address bus	O	DRAM
47	DVSS	Digital GND (0V)		
48	DADR0_OUT	DRAM address bus	O	DRAM
49	DADR6_OUT	DRAM address bus	O	DRAM
50	DADR1_OUT	Address bus	O	DRAM
51	DADR5_OUT	DRAM address bus	O	DRAM
52	DADR2_OUT	DRAM address bus	O	DRAM
53	DADR4_OUT	DRAM address bus	O	DRAM
54	DADR3_OUT	DRAM address bus	O	DRAM
55	DVSS	Digital GND (0V)		
56	DVSS	Digital GND (0V)		
57	TOS_OUT	Top of sector	O	AV Decoder
58	DATAACK_OUT	Data acknowledge signal output	O	AV Decoder
59	DVDD	Digital power (+5V)		
60	SDATA0_OUT	DVD data/CD data bit stream (CDATA)	O	AV Decoder
61	SDATA1_OUT	DVD data/CD data L/R clock (LRCK)	O	AV Decoder
62	SDATA2_OUT	DVD data/CD data bit clock (BLCK)	O	AV Decoder
63	SDATA3_OUT	DVD data/CD data error plug (C2PO)	O	AV Decoder
64	SDATA4_OUT	DVD data/sub-code serial data (SQDT)	O	AV Decoder
65	SDATA5_OUT	DVD data/sub-code frame sync (WFSY)	O	AV Decoder
66	SDATA6_OUT	DVD data/sub-code block sync (S0S1)	O	AV Decoder
67	SDATA7_BI	DVD data/sub-code serial clock (SQCK)	B	AV Decoder
68	DVSS	Digital GND (0V)		
69	CSTROBE_OUT	Data strobe (clock) output	O	AV Decoder
70	DATREQ_IN	Data request from A/V decoder or ROM Ecuador	I	AV Decoder
71	DTER_OUT	DVD data error output	O	AV Decoder
72	DVSS	Digital GND (0V)		

Table 1. Pin Description (Continued)

No	Pin Name	Description	I/O	Note
73	PWMO7_OUT	PWM output signal	O	RF
74	PWMO6_OUT	PWM output signal	O	RF
75	PWMO5_OUT	PWM output signal	O	RF
76	PWMO4_OUT	PWM output signal	O	RF
77	DVDD	Digital power (+5V)		
78	PWMO3_OUT	PWM output signal	O	RF
79	PWMO2_OUT	PWM output signal	O	RF
80	PWMO1_OUT	PWM output signal	O	RF
81	PWMO0_OUT	PWM output signal	O	RF
82	DVSS	Digital GND (0V)		
83	DVSS	Digital GND (0V)		
84	DVSS	Digital GND (0V)		
85	DVDD	Digital power (+5V)		
86	DVDD	Digital power (+5V)		
87	DVSS	Digital GND (0V)		
88	DVSS	Digital GND (0V)		
89	DVSS	Digital GND (0V)		
90	DVSS	Digital GND (0V)		
91	FRSYZ_OUT	Frame sync out	O	Monitor
92	TX_OUT	Digital out (3-state)	O	Monitor
93	GFS_OUT	Good frame sync detection status output (OK at H)	O	Monitor
94	DVSS	Digital GND (0V)		
95	CK33MI_IN	System clock input for 33.8688MHz	I	XTAL
96	CK33MO_OUT	System clock output for 33.8688MHz	O	XTAL
97	DVDD	Digital power (+5V)		
98	TEST0_IN	Test mode select signal, pull_down pin	I	
99	TEST1_IN	Test mode select signal, pull_down pin	I	
100	TEST2_IN	Test mode select signal, pull_down pin	I	
101	EFMO_OUT	EFM out	O	Monitor
102	WFCK_OUT	Write frame pulse	O	Monitor
103	RFCK_OUT	Reference frame pulse	O	Monitor
104	PLCK_IN	Phase locked clock	I	Servo
105	DVSS	Digital GND (0V)		
106	PLLLOCK_OUT	Lock signal for pll	O	Servo
107	CLVLOCK_OUT	Lock signal for CLV	O	Monitor
108	SERLOCK_OUT	Lock signal for servo	O	Servo
109	MDP_OUT	Spindle motor phase control signal (3-state)	O	Servo

Table 1. Pin Description (Continued)

No	Pin Name	Description	I/O	Note
110	MDS_OUT	Spindle motor speed control signal (3-state)	O	Servo
111	DVSS	Digital GND (0V)		
112	DVSS	Digital GND (0V)		
113	MON_OUT	Spindle motor on/off control output	O	Servo
114	FG_IN	Reference signal for CAV	I	Servo
115	FSW_OUT	Spindle motor output filter conversion output (3-state)	O	Servo
116	EFMI_IN	EFM/EFM + signal input	I	Servo
117	DVDD	Digital power (+5V)		
118	DVDD	Digital power (+5V)		
119	DVDD	Digital power (+5V)		
120	CK16M_OUT	CK33M's 1/2 clock/16.9344MHz	O	Monitor
121	DEMPHA_OUT	Deemphasis on when "high"	O	Monitor
122	TEST3_IN	Test mode select signal, pull_down in	I	
123	DVSS	Digital GND (0V)		
124	ZRST_IN	Hardware reset (active low) pull_up pin	I	MICOM
125	ZWAIT_OUT	MICOM read/write access wait (wait at L)	O	MICOM
126	ZIRQZD_OUT	Interrupt request to MICOM	O	MICOM
127	MRD_IN	MICOM read strobe (active low) pull_up pin	I	MICOM
128	MWR_IN	MICOM write strobe (active low) pull_up pin	I	MICOM

2 ELECTRICAL CHARACTERISTICS

DC CHARACTERISTICS

($V_{DD} = 5.0V \pm 5\%$, $V_{SS} = 0V$, $T_a = 0 - +70^\circ C$)

Item		Conditions	Min	Max	Unit	Note
Input voltage	Input voltage "H" level	V_{IH}	-	$0.7V_{DD}$	V	1
	Input voltage "L" level	V_{IL}	-	$0.3V_{DD}$	V	
Output voltage	Output voltage "H" level	V_{OH}	$I_{OH} = -2, -4mA$	2.4	V_{DD}	2
	Output voltage "L" level	V_{OL}	$I_{OL} = 2, 4mA$	0	0.4	
Input voltage	Input voltage "H" level	I_{IH1}	$V_{in} = V_{DD}$	-10	10	3
	Input voltage "L" level	I_{IL1}	$V_{in} = V_{SS}$	-10	10	
Input voltage	Input voltage "H" level	I_{IH2}	$V_{in} = V_{DD}$	10	100	4
	Input voltage "L" level	I_{IL2}	$V_{in} = V_{SS}$	-100	-10	
Input current leak		I_{LI}	$V_I = 0 - 5.25V$	-10	10	1

NOTES:

1. All CMOS input signals, BIDIR PAD's input mode signals
2. All output signals
3. All CMOS input signals, BIDIR PAD's input mode signals
4. All input signals with pull-down
5. All input signals with pull-up

ABSOLUTE MAXIMUM RATINGS

No	Item	Symbol	Spec	Unit
1	DC input voltage	V _{in}	-0.3 - V _{DD} + 0.3	V
2	C supply voltage	V _{DDmax}	-0.3 - +7.0	V
3	C input current	I _{in}	10	mA
4	Storage temperature	T _{stg}	-40 - 125	°C

RECOMMENDED OPERATING CONDITIONS

No	Item	Symbol	Spec	Unit
1	Operating temperature	T _{opr}	0 - 70	
2	DC supply voltage	V _{DD}	4.75 - 5.25	V

3

BLOCK CHARACTERISTICS

ECC FEATURE

Euclid's algorithm used.

Same circuit used for DVD and CD.

DVD (PRIMITIVE POLYNOMIAL: $X^8 + X^4 + X^3 + X^2 + 1$)

: Error correcting ability for DVD data.

Ⓢ PI (182, 172, 11) code: 5 error correct/10 errata correct

Ⓢ PO (208, 192, 17) code: 8 error correct/16 errata correct

38.8688MHz clock: 1X operation (PI+PO+PI)/1 EFM block satisfaction → basic operation

CD (PRIMITIVE POLYNOMIAL: $X^8 + X^4 + X^3 + X^2 + 1$)

Ⓢ C1 (32, 28, 5) code: 2 error correct

Ⓢ C2 (28, 24, 4) code: 2 error correct/4 errata correct

Repeat correction carried at for video-CD (C1 → C2 → C1 → C2)

MEMORY CONTROL FEATURE

CD data processor and DVD data processor has an external 4M or 8M DRAM in common.

EFM data write, ECC data R/W, descrambler R/W, and transfer read addressing feature.

DVD

- 33.8688MHz crystal clock used.
- Continuous storage according to input order regardless of data format (PO deinterleave).
- 13 ECC block areas guaranteed in 4M bit DRAM. (EFM, ECC, descrambler, and transfer cyclically processed)
- MICOM user area guaranteed (can use blocks 1 - 8 selectively in units of ECC blocks)
- EFM data Write in units of sectors.
- Data transfer in units of sectors.
- Block copy feature (sector number selection possible)
- MICOM direct access on DRAM

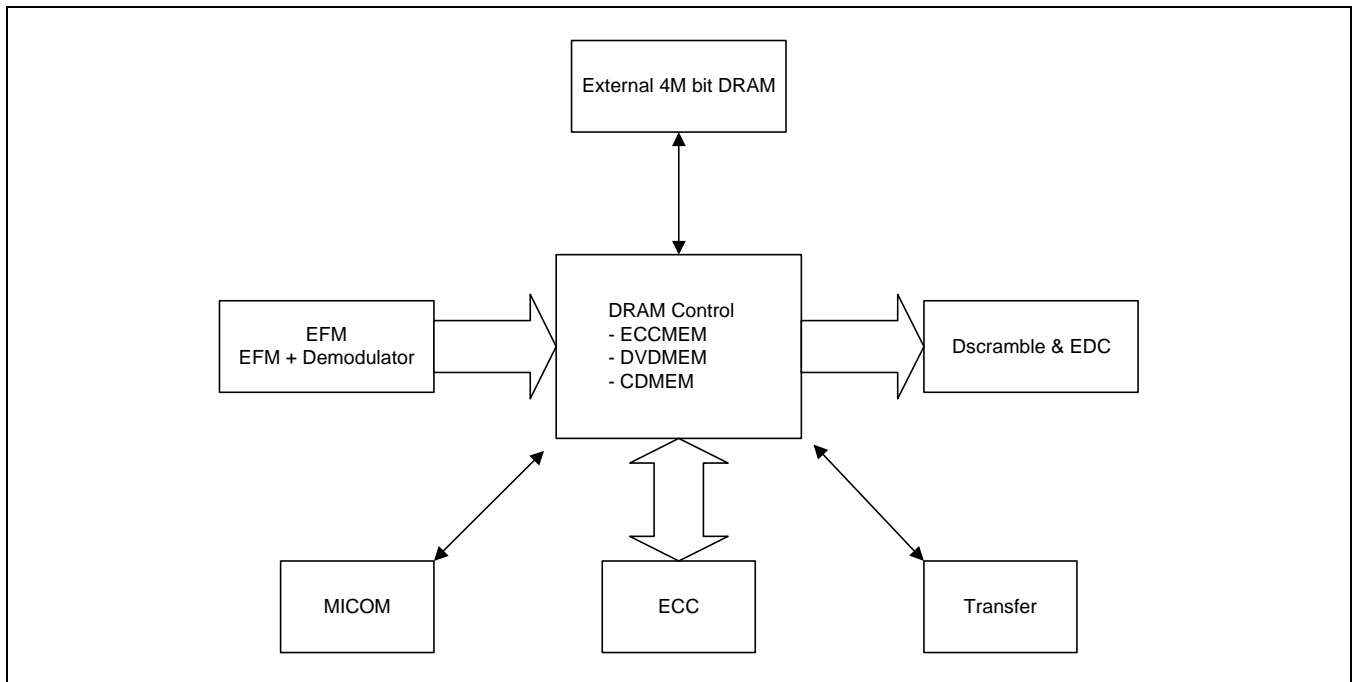


Figure 3. Block Diagram of Memory Control

CD

- CD-DA, CD-ROM, V-CD: 33.8688MHz crystal clock used.
- Video-CD: Repeat correction possible.
- 8Kbyte memory area used.
- EFM, ECC, transfer feature.
- EFM: referenced by WFCK.
- ECC, transfer: referenced by RFCK.
- MICOM direct access on DRAM.

DESCRAMBLER & EDC & TRANSFER FEATURE

- Descramble on/off control possible in MICOM
- EDC flag output to MICOM
- 2048-byte or 2064-byte output selection possible
- Transfer sector number selection possible
- Maximum transfer rate: 5.4MBytes/s.
- Parallel synchronous I/F support
- Request, TOS, ACK, DATCLK, and EDCFLG'S active 'L/H" selection possible.

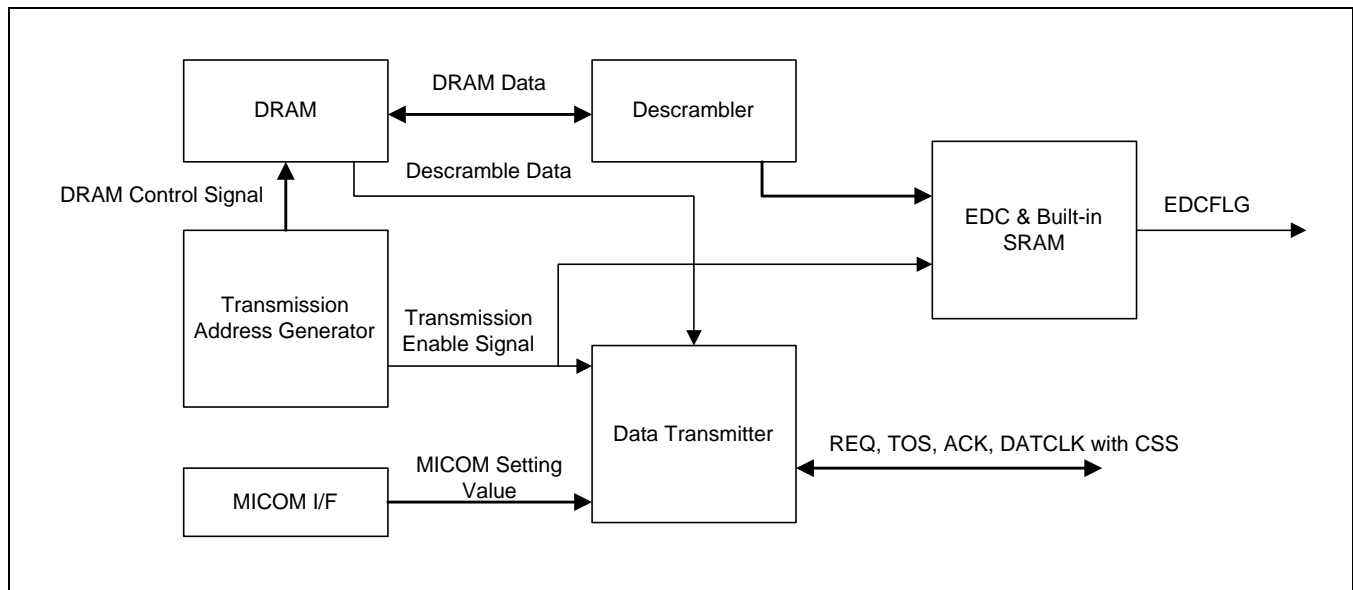


Figure 4. Block Diagram of the Transfer Part

CD AUDIO FEATURE

Receives data that has been completely corrected of errors in units of byte, and outputs it serially.

Interpolation, mute, and attenuation carried out for CD-DA.

SUBCODE I/F FEATURE

CD graphic processing subcode data (P, Q, R, S, T, U, V, W) is serially output.

Errors existing in the disc controlling subcode data (Q) are checked and output.

$$(p(x) = x^{16} + x^{12} + x^5 + 1)$$

MICOM I/F FEATURE

Address/command data: 1byte

Write register access

: CS enable → W_reg address write → Command data write → CS disable

Read register access

: CS enable → R_reg address write → R_reg data read → CS disable

EFM DEMODULATOR FEATURE

CD player, CD-ROM, and DVD player mode

Demodulator

: EFM + demodulation (DVD)

EFM demodulation (CD)

ID sync, frame sync detection/protection/insertion

: 4 step ID sync/frame sync protection window section select

4 step ID sync/ frame sync insertion frame number select

SID error correction

ID (frame) sync continuous check

4 MICOM REGISTER

MICOM WRITE REGISTER & READ/WRITE REGISTER

Table 2. MICOM Write Register & Read/Write Register Table (R/W unmarked; W)

Name	Address	Bit7	Bit6	Bit5	Bit4	Bit3	Bit2	Bit1	Bit0
RESERVED (00 - 09)									
INTCTL1	0A	DVDIEN	DSIEN	TOSEN	TSCMPEN	ECCIEN	EMPTYEN	OVEREN	UNDEREN
INTCTL2	0B	SBQIEN	MCPEN	-	-	-	-	-	-
INTCTL3	0C	-	-	-	IFRQ2	IFRQ1	IFRQ0	-	CLRINT
SYSCONT1	0D	MRESET	-	-	RCF1	RCF0	DISC2	DISC1	DISC0
USER1CON	0E	WIDEWIN	GFSPRO	SYNCDEC	ISPROT	FNADJ	RFNCON	-	-
USER2CON	0F	ABTH7	ABTH6	ABTH5	ABTH4	ABTH3	ABTH2	ABTH1	ABTH0
DVDDSET	10	-	-	FWSEL1	FWSEL0	FGSEL1	FGSEL0	IGSEL1	IGSEL0
DVDCONTR OL1	11	DSCREN	STRST	-	-	INSEN	WNDEN	WNDRT	FCLDS
DVDCONTR OL2	12	WRST	TRST	ECCST	ECNEGLT	ECMOD2	ECMOD1	ECMOD0	MCPST
CLVCONTR OL1	13	PGAIN1	PGAIN0	SGAIN1	SGAIN0	-	-	-	-
CLVCONTR OL2	14	MDSCON1	MDSCON0	PLLC1	PLLC0	-	MDPC	P_RES1	P_RES0
CLVCONTR OL3	15	FALTHR1	FALTHR1	RISTHR1	RISTHR0	REFSEL	SERVOC	CLVC1	CLVC0
CLVMODE	16	SDWP	SDWB	-	-	SDCM3	SDCM2	SDCM1	SDCM0
RESERVED (17 - 18)									
TRMODE	19	IFMOD2	IFMOD1	IFMOD0	-	CDIF0	DRATE	-	DVDIF0
CDSPEED	1A	-	-	-	-	-	CDSPD2	CDSPD1	CDSPD0
CDMUTCNT	1B	CBITIN2	CBITIN1	CBITIN0	DGOEN	DEMPHA	MUTE	ZCMT	ATTN
CDCONTR OL	1C	-	-	-	-	BYPASS	INFR	T3_SEL	T3_MODE
ECCREG1	1D	ERAMODF	ERAMODL	maxmode2f	maxmode2l	c2eccf	c2eccl	c2err onlyf	c2err onlyl
ECCREG2	1E	-	cdecc	eccmode	c2fgtype [4]	c2fgtype [3]	c2fgtype [2]	c2fgtype [1]	c2fgtype [0]
ECCREG3	1F	-	-	-	-	SETFLG [3]	SETFLG [2]	SETFLG [1]	SETFLG [0]
Address Setting on MICOM Direct Access Buffer Mode (Read/Write)									
WADRH	20	-	-	-	ADR20	ADR19	ADR18	ADR17	ADR16
WADRM	21	ADR15	ADR14	ADR13	ADR12	ADR11	ADR10	ADR9	ADR8
WADRL	22	ADR7	ADR6	ADR5	ADR4	ADR3	ADR2	ADR1	ADR0
Data Write to Buffer (When MDAB = 1)									

Table 2. MICOM Write Register & Read/Write Register Table (R/W unmarked; W) (Continued)

Name	Address	Bit7	Bit6	Bit5	Bit4	Bit3	Bit2	Bit1	Bit0
WDATA	23	WDT7	WDT6	WDT5	WDT4	WDT3	WDT2	WDT1	WDT0
RESERVED (24 - 2F)									
Buffering Start Sector Unit Number									
WBAH	30	-	-	-	-	-	-	B9	B8
WBAL	31	B7	B6	B5	B4	B3	B2	B1	B0
ECC Start Block Unit Number									
WEAH	32	-	-	-	-	-	-	B9	B8
WEAL	33	B7	B6	B5	B4	B3	B2	B1	B0
Transfer Start Sector Unit Number									
WTAH	34	-	-	-	-	-	-	B9	B8
WTAL	35	B7	B6	B5	B4	B3	B2	B1	B0
Over Threshold Size (Number of Sector Units) (Read/Write)									
OTSH	36	-	-	-	-	-	-	B9	B8
OTSL	37	B7	B6	B5	B4	B3	B2	B1	B0
Under Threshold Size (Number of Sector Units) (Read/Write)									
UTSH	38	-	-	-	-	-	-	B9	B8
UTSL	39	B7	B6	B5	B4	B3	B2	B1	B0
Number of Transfer Sectors select (Read/Write)									
TNH	3A	B15	B14	B13	B12	B11	B10	B9	B8
TNL	3B	B7	B6	B5	B4	B3	B2	B1	B0
Size of Buffer for MICOM use select (Read/Write)									
MBS	3C	-	-	-	-	B3	B2	B1	B0
Decoder Direct Data Block Copy Source Sector Address select									
BCPSH	3D	-	-	-	-	-	-	B9	B8
BCPSL	3E	B7	B6	B5	B4	B3	B2	B1	B0
Reserved (3F)									
Decoder Direct Data Block Copy Target Sector Address select									
BCPTH	40	-	-	-	-	-	-	B9	B8
BCPTL	41	B7	B6	B5	B4	B3	B2	B1	B0
Descramble Start Sector Unit Number									
WDAH	42	-	-	-	-	-	-	B9	B8
WDAL	43	B7	B6	B5	B4	B3	B2	B1	B0

Table 2. MICOM Write Register & Read/Write Register Table (R/W unmarked; W) (Continued)

Name	Address	Bit7	Bit6	Bit5	Bit4	Bit3	Bit2	Bit1	Bit0
RESERVED (44 - 49)									
USERREG	RESERVED (A0 - A7)								
	A8	-	-	TSTWRD	ECTEST	-	-	-	-
	RESERVED (A9)								
	AA	MONITOR3	MONITOR2	MONITOR1	MONITOR0	MPRSTZ	TSTENDM UX	TSTPORE ND	TSTPIREN D
	RESERVED (AB - AD)								
	AE	REGEG	ACKEG	STREG	TOSEG	DTREG	-	TSTID	TSTIDSY
	RESERVED (AF - BF)								
	C0	PWM07	PWM06	PWM05	PWM04	PWM03	PWM02	PWM01	PWM00
	C1	PWM17	PWM16	PWM15	PWM14	PWM13	PWM12	PWM11	PWM10
	C2	PWM27	PWM26	PWM25	PWM24	PWM23	PWM22	PWM21	PWM20
	C3	PWM37	PWM36	PWM35	PWM34	PWM33	PWM32	PWM31	PWM30
	C4	PWM47	PWM46	PWM45	PWM44	PWM43	PWM42	PWM41	PWM40
	C5	PWM57	PWM56	PWM55	PWM54	PWM53	PWM52	PWM51	PWM50
	C6	PWM67	PWM66	PWM65	PWM64	PWM63	PWM62	PWM61	PWM60
	C7	PWM77	PWM76	PWM75	PWM74	PWM73	PWM72	PWM71	PWM70
	C8	CAVCKSEL 1	CAVCKSEL 0	-	-	-	CAVVAL 10	CAVVAL 9	CAVVAL 8
	C9	CAVVAL7	CAVVAL6	CAVVAL5	CAVVAL4	CAVVAL3	CAVVAL2	CAVVAL1	CAVVAL0
RESERVED (CA - DF)									
RESERVED (E0 - EF)									

MICOM READ REGISTER & READ/WRITE REGISTER

Table 3. MICOM Read Register & Read/Write Register Table (R/W unmarked; R)

Name	Address	Bit7	Bit6	Bit5	Bit4	Bit3	Bit2	Bit1	Bit0
INTSTAT1	4A	DVDSINT	DSINT	TOSINT	TRSCMPLT	ECCMPLT	EMPTY	OVER	UNDER
INTSTAT2	4B	SBQINT	MCPINT	-	-	-	-	-	-
ERRSTAT	4C	EIDERR	DSIERR	IDCONERR	-	ECCERR	EDCFLG	-	SBQERR
DVDSTATUS	4D	-	-	-	-	SYOK	NOSY	ILSY	-
DVDSVSTAT	4E	-	LOCK	GFS	-	-	-	-	-
RESERVED (4F)									
CDSUBQ	50	SBQ79	SBQ78	SBQ77	SBQ76	SBQ75	SBQ74	SBQ73	SBQ72
	↓	↓	↓	↓	↓	↓	↓	↓	↓
	59	SBQ07	SBQ06	SBQ05	SBQ04	SBQ03	SBQ02	SBQ01	SBQ00
RESERVED (5A - 5F)									
SEEKIDADR	60	SID31	SID30	SID29	SID28	SID27	SID26	SID25	SID24
	61	SID23	SID22	SID21	SID20	SID19	SID18	SID17	SID16
	62	SID15	SID14	SID13	SID12	SID11	SID10	SID09	SID08
	63	SID07	SID06	SID05	SID04	SID03	SID02	SID01	SID00
TRANSIDADR	64	TID31	TID30	TID29	TID28	TID27	TID26	TID25	TID24
	65	TID23	TID22	TID21	TID20	TID19	TID18	TID17	TID16
	66	TID15	TID14	TID13	TID12	TID11	TID10	TID09	TID08
	67	TID07	TID06	TID05	TID04	TID03	TID02	TID01	TID00
RESERVED (68 - 6F)									
Address Reading on Micom Direct Access Buffer Mode (Read/Write)									
RADRH	70	-	-	-	ADR20	ADR19	ADR18	ADR17	ADR16
RADRM	71	ADR15	ADR14	ADR13	ADR12	ADR11	ADR10	ADR9	ADR8
RADRL	72	ADR7	ADR6	ADR5	ADR4	ADR3	ADR2	ADR1	ADR0
Data Read from Buffer									
RDATA	73	RDT7	RDT6	RDT5	RDT4	RDT3	RDT2	RDT1	RDT0
RESERVED (74 - 7F)									
Buffering End Sector Unit Number									
RWAH	80	-	-	-	-	-	-	B9	B8
RWAL	81	B7	B6	B5	B4	B3	B2	B1	B0
ECC End Sector Unit Number									
REAH	82	-	-	-	-	-	-	B9	B8
REAL	83	B7	B6	B5	B4	B3	B2	B1	B0
Transferring End Sector Unit Number									
RTAH	84	-	-	-	-	-	-	B9	B8
RTAL	85	B7	B6	B5	B4	B3	B2	B1	B0
DSI Unit Number									
DSIH	86	-	-	-	-	-	-	B9	B8
DSIL	87	B7	B6	B5	B4	B3	B2	B1	B0
Descramble End Sector Unit Number									
RDAH	88	-	-	-	-	-	-	B9	B8
RDAL	89	B7	B6	B5	B4	B3	B2	B1	B0

Table 3. MICOM Read Register & Read/Write Register Table (R/W unmarked; R) (Continued)

Name	Address	Bit7	Bit6	Bit5	Bit4	Bit3	Bit2	Bit1	Bit0
RESERVED (8A - 93)									
ECC End ID Address									
EEIDA	94	ID31	ID30	ID29	ID28	ID27	ID26	ID25	ID24
	95	ID23	ID22	ID21	ID20	ID19	ID18	ID17	ID16
	96	ID15	ID14	ID13	ID12	ID11	ID10	ID09	ID08
	97	ID07	ID06	ID05	ID04	ID03	ID02	ID01	ID00
RESERVED (98 - 9B)									
DSI ID Address									
DSIDA	9C	ID31	ID30	ID29	ID28	ID27	ID26	ID25	ID24
	9D	ID23	ID22	ID21	ID20	ID19	ID18	ID17	ID16
	9E	ID15	ID14	ID13	ID12	ID11	ID10	ID09	ID08
	9F	ID07	ID06	ID05	ID04	ID03	ID02	ID01	ID00
Remaining Data Size (Number of Sector Units)									
RDSH	F0	-	-	-	-	--	-	B9	B8
RDSL	F1	B7	B6	B5	B4	B3	B2	B1	B0
RESERVED (F2 - FF)									

MICOM REGISTER DESCRIPTION

MICOM WRITE REGISTER & READ/WRITE REGISTER (R/W UNMARKED; W)

INTCTL1: Interrupt Control Register 1								
Address	Bit7	Bit6	Bit5	Bit4	Bit3	Bit2	Bit1	Bit0
0A	DVDIEN	DSIEN	TOSEN	TSCMPTEN	ECCIEN	EMPTYEN	OVEREN	UNDEREN
Reset Value	0	0	0	0	0	0	0	0

< DVD Interrupt Masking Register >

- **DVDIEN:** DVD ID-sync interrupt request enable
Enable/Disable control bit of the ID-sync Interrupt generated in the DVD decoder.
1: Enable 0: Disable
- **DSIEN:** DSI interrupt
1: Enable 0: Disable
- **TOSEN:** Top of sector interrupt request enable
Enable/Disable control bit of the interrupt that marks the first data in the sector being transferred from the DVD decoder to the A/V decoder or host.
1: Enable 0: Disable
- **TSCMPTEN:** Transfer complete interrupt request enable
Control bit for Interrupt signal generation when transfer is complete for the number of bytes demanded in DVD ROM application (TNH, L).
1: Enable 0: Disable
- **ECCIEN:** ECC complete interrupt request enable
Enable/Disable control bit of the ECC complete interrupt generated in the DVD decoder.
1: Enable 0: Disable
- **EMPTYEN:** Buffer memory empty interrupt (for transfer) request enable
1: Enable 0: Disable
- **OVEREN:** Buffer memory over interrupt request enable
Interrupt request enable generated when the filled area in the buffer memory is more than the over threshold size (OTS) set by MICOM (hysteresis).
1: Enable 0: Disable
- **UNDEREN:** Buffer memory under interrupt request enable
Interrupt request enable generated when the filled area in the buffer memory is less than the under threshold size set by MICOM (hysteresis).
1: Enable 0: Disable

INTCTL2: Interrupt Control Register 2								
Address	Bit7	Bit6	Bit5	Bit4	Bit3	Bit2	Bit1	Bit0
0B	SBQIEN	MCPEN	-	-	-	-	-	-
Reset Value	0	0	-	-	-	-	-	-

< CD interrupt Masking Register >

- SBQIEN: CD subcode-sync interrupt request enable
Enable/Disable control bit for subcode-sync interrupt generated in the CD decoder.
1: Enable 0: Disable
- MCPEN: Micom block copy mode
1: Enable 0: Disable

INTCTL3: Interrupt Control Register 3								
Address	Bit7	Bit6	Bit5	Bit4	Bit3	Bit2	Bit1	Bit0
0C	-	-	-	IFRQ2	IFRQ1	IFRQ0	-	CLRINT
Reset Value	-	-	-	0	0	0	-	1

- IFRQ2 - 0: Interrupt request frequency select register (only applicable to DVDSINT)

IFRQ2	IFRQ1	IFRQ0	Number of Interrupts/Number of ID Sectors
0	0	0	1/1 ID sector
0	0	1	1/2 ID sectors
0	1	0	1/4 ID sectors
0	1	1	1/8 ID sectors
1	0	0	1/16 ID sectors
Other			Reserved

- CLRINT: Interrupt clear register
Decides whether or not to clear the interrupt status register after MICOM has read it.
1: Clear 0: Don't clear

SYSCONT1: System Control Register 1								
Address	Bit7	Bit6	Bit5	Bit4	Bit3	Bit2	Bit1	Bit0
0D	MRESET	-	-	RCF1	RCF0	DISC2	DISC1	DISC0
Reset Value	1	-	-	0	0	1	0	0

- MRESET: Master reset → reset Z-decoder.
(Setting all registers to predefined reset value. Same as ZRST) the decoder automatically sets to "1" after MICOM turns on the reset.
0: Reset on, 1: Reset off
- RCF1 - 0: RAM configuration → buffer size select.

RCF1	RCF0	DRAM Configuration
0	0	4Mbits
0	1	8Mbits
1	0	N.A
1	1	16Mbits

- Z-Decoder control register.
DISC2 - 0: Shows the operating disc type.

DISC2	DISC1	DISC0	Disc Type
1	0	0	DVD
1	1	0	DVD-ROM
0	0	0	CD-DA
0	0	1	V-CD
0	1	0	CD-ROM
Other			Reserved

USERCONT1: User Control Register1 (Sync Control)								
Address	Bit7	Bit6	Bit5	Bit4	Bit3	Bit2	Bit1	Bit0
0E	WIDEWIN	GFSPRO	SYNCDEC	ISPROT	FNADJ	RFNCON	-	-
Reset Value	1	1	1	0	1	1	-	-

- WIDEWIN: Sync protection window control**
 H → If frame sync doesn't occur for more than the insertion number (N) designated by the protection window, again set the widest protection window for sync detection. If sync is detected, immediately correct to that value and protect to the window with the selected width. If sync isn't detected, immediately cancel window.
 L → Find sync by immediately cancelling the protection window without wide window operating mode.
- GFSPRO: Good frame sync detecting conditions**
 H → Complete match between detected sync and inserted sync
 L → A ± 1 difference between detected sync and inserted sync
- SYNCDEC: Frame sync detecting conditions**
 H → Sync detect by sync code (32bit)
 L → Sync detect using specified pattern (22bit)
- ISPROT: ID sync protection starting conditions**
 H → Immediately start ID sync protection when sector sync is detected.
 L → ID Sync protection is started when ID sync is detected in the expected frame after frame sync protection has begun. Frame number (FN) match:/S0 detected in FN0 set to low after system reset.
- FNADJ: Frame number (address) correcting conditions**
 H → Correct counter value within a ± 5 difference between the detected frame number and frame counter value.
 L → Correct counter value within a ± 2 difference.
 Valid conditions: Frame sync continuity must be maintained. If continuity isn't maintained, it is changed to insertion mode.
- RFNCON: Frame number correction to the detected value.**
 H → Frame number correction (if detected frame number is continuous for more than 3 times)
 L → Frame number correction (according to FNADJ conditions)
 Valid conditions: Frame sync continuity must be maintained. If continuity isn't maintained, it is changed to insertion mode.

USERCONT2: User Con. Register2 (Channel Clock PLL Control)								
Address	Bit7	Bit6	Bit5	Bit4	Bit3	Bit2	Bit1	Bit0
0F	ABTH7	ABTH6	ABTH5	ABTH4	ABTH3	ABTH2	ABTH1	ABTH0
Reset Value	1	1	1	1	0	0	0	0

- BTH[7:0]
: Flag generated if the absolute value of the input data difference ($|L0-L1|$) is larger than the set ABTH value during L-ch/ R-ch data serial output.
: If the flag pattern is

0 0 1 1 0 0 ← Flag

$|L0-L1|$ $|L1-L2|$ $|L2-L3|$ $|L3-L4|$ $|L4-L5|$ $|L5-L6|$ ← Data

→ $L3 = (L2+L4)/2$

0 0 1 1 1 0 ← Flag

$|L0-L1|$ $|L1-L2|$ $|L2-L3|$ $|L3-L4|$ $|L4-L5|$ $|L5-L6|$ ← Data

→ $L3 = (L2+L5)/2$, $L4 = (L3+L5)/2$

DVDDSET: DVD Decoder Set (Sync Detect Conditions)								
Address	Bit7	Bit6	Bit5	Bit4	Bit3	Bit2	Bit1	Bit0
10	-	-	FWSEL1	FWSEL0	FGSEL1	FGSEL0	IGSEL1	IGSEL0
Reset Value	-	-	0	0	0	0	0	0

- FWSEL1 - 0: Frame sync protection window section select

FWSEL1	FWSEL0	Frame Sync Protection Window (DVD)	Frame Sync Protection Window (CD)
0	0	± 6 clocks	± 3 clocks
0	1	± 12 clocks	± 6 clocks
1	0	± 20 clocks	± 10 clocks
1	1	± 24 clocks	± 12 clocks

- FGSEL1 - 0: Number of frame sync inserted frames

FGSEL1	FGSEL0	Number of Frame Sync Inserted Frames
0	0	4 Frames
0	1	13 Frames
1	0	16 Frames
1	1	28 Frames

- IGSEL1 - 0: Number of ID sync inserted sectors

IGSEL1	IGSEL0	Number of ID Sync Inserted Sectors
0	0	1 Sector
0	1	2 Sectors
1	0	3 Sectors
1	1	4 Sectors

DVDCONTROL1: DVD Decoder (Sync) Control Register 1								
Address	Bit7	Bit6	Bit5	Bit4	Bit3	Bit2	Bit1	Bit0
11	DSCREN	STRST	-	-	INSEN	WNDEN	WNDRT	FCLDS
Reset value	1	0	-	-	1	1	0	1

- **DSCREN:** Descramble on/off
1: Descramble on
0: Descramble off
- **STRST:** Forced TR mode cancellation
1: Cancel
0: Normal
- **INSEN:** Insert enable
1: Carry out frame, ID sync insertion.
0: Don't carry out sync insertion.
- **WNDEN:** Window enable (frame)
1: Enable sync protection window. Sync detected outside the window is illegal, and isn't used in resets such as insertion timing. If illegal syncs are consecutively found N times, the protection window is reset and opened.
0: Open the window and make all detected syncs valid.
- **WNDRT:** Window reset
Window is opened if this bit is 1. It is used when you want to lock the window quickly by detecting new sync during track jump.
- **FCLDS:** Frame counter value load conditions
1: Load the frame counter value continuously detected while continuity was being maintained.
0: Load the frame counter value detected within the frwin section while continuity was being maintained. In other sections, load the inserted frame counter.

DVDCONTROL2: DVD Control Register 2								
Address	Bit7	Bit6	Bit5	Bit4	Bit3	Bit2	Bit1	Bit0
12	WRST	TRST	ECCST	ECNEGLT	ECMOD2	ECMOD1	ECMOD0	MCPST
Reset Value	0	0	0	0	0	1	0	0

- WRST: Enables/Disables EFM demodulated data write to the buffer.
1: Buffer write enable
0: Buffer write disable
- TRST: Data transfer enable/disable from the buffer to the A/V decoder or host.
1: Transfer enable
0: Transfer disable
- ECCST: Error correction enable/disable.
1: Error correction enable
0: Error correction disable
- ECNEGLT: Disregard error correction (used when error still remains in an ECC completed block, but MICOM decides an ECC retry isn't necessary.)
1: Repeat error correction (until ECC stop {ECCST = "0"} or {ECNEGLT = "1"})
0: Disregard error correction (skip current correction block and move to next block.)
- ECMOD2 - 0: Error correction mode select

ECMOD2	ECMOD1	ECMOD0	Disc Speed
0	0	0	No error correction
0	0	1	PI+PO
0	1	0	PI+PO+PI (normal)
0	1	1	PI+PO+PI+PO
1	0	0	Repeat correction (PIPO)
1	0	1	Reserved
1	1	X	

In repeat correction mode (ECMOD2 = "1"), if errors still exist after correction and there is enough buffer space, ECC is automatically retried until the ECCNEGLT signal is input. (buffer space is determined by MICOM)

- MCPST: MICOM block copy start command
When it is "1", the decoder automatically moves 1 sector of data in the MICOM-selected address. MCPEND is output when the operation is complete, and MICOM resets the MCPST bit to "0".

CLVCONTROL1: CLV Control Register 1								
Address	Bit7	Bit6	Bit5	Bit4	Bit3	Bit2	Bit1	Bit0
13	PGAIN1	PGAIN0	SGAIN1	SGAIN0	-	-	-	-
Reset Value	0	0	0	0	-	-	-	-

- PGAIN(1:0): DVD/CD CLV's MDP gain select

PGAIN1	PGAIN0	MDP Gain
0	0	-6dB
0	1	-12dB
1	0	-18dB
1	1	0dB

- SGAIN(1:0): DVD/CD CLV's MDS gain select and CAV control's MDS gain select.

SGAIN1	SGAIN0	MDS Gain
0	0	-6dB
0	1	-12dB
1	0	-18dB
1	1	0dB

CLVCONTROL2: CLV Control Register 2								
Address	Bit7	Bit6	Bit5	Bit4	Bit3	Bit2	Bit1	Bit0
14	MDSCON1	MDSCON0	PLL1	PLL0	-	MDPC	PRES1	PRES0
Reset Value	0	0	0	0	-	0	0	0

- MDSCON(1:0): DVD/CD CLV's MDS linear motion range select

MDSCON1	MDSCON0	Linear Range	
		DVDROM	CDROM
0	0	±9%	±4.5%
0	1	±18%	±9%
1	0	±36%	±18%
1	1	Reserve	±33%

- PLL(1:0): Threshold value select for DVD/CD pll lock signal cancellation

PLL1	PLL0	Threshold
0	0	PII lock falling after WFCK 16
0	1	PII lock falling after WFCK 32
1	0	PII lock falling after WFCK 64
1	1	PII lock falling after WFCK 128

- MDPC: MDP output select outside of MDS linear range

MDPC	Operation
0	Error signal output outside the MDS linear range
1	Hi-Z output outside the MDS linear range

- PRES(1:0): WFCK/RFCK reference signal for MDP select within CLVP mode of DVD/CD CLV

PRES1	PRES0	WFCK Standard	RFCK Standard
0	0	WFCK/2	RFCK/2
0	1	WFCK/4	RFCK/4
1	0	WFCK/8	RFCK/8
1	1	WFCK/16	RFCK/16

CLVCONTROL3: CLV Control Register 3								
Address	Bit7	Bit6	Bit5	Bit4	Bit3	Bit2	Bit1	Bit0
15	FALTHR1	FALTHR0	RISTHR1	RISTHR0	REFSEL	SERVOC	CLVC1	CLVC0
Reset Value	0	0	0	0	0	0	0	0

- FALTHR(1:0): DVD/CD's CLV lock signal falling time select

FALTHR1	FALTHR0	Threshold
0	0	CLV lock falling after WFCK/RFCK 32
0	1	CLV lock falling after WFCK/RFCK 64
1	0	CLV lock falling after WFCK/RFCK 128
1	1	CLV lock falling after WFCK/RFCK 256

- RISTHR(1:0): DVD/CD's CLV lock signal rising time select

RISTHR1	RISTHR0	Threshold
0	0	CLV lock rising after WFCK/RFCK 1
0	1	CLV lock rising after WFCK/RFCK 2
1	0	CLV lock rising after WFCK/RFCK 4
1	1	CLV lock rising after WFCK/RFCK 8

- REFSEL: DVD/CD's CLV lock signal generating GFS sample signal select

REFSEL	CLV Lock Reference Signal
0	WFCK
1	RFCK

- SERVOC: DVD/CD's servo lock signal falling time select
Rising is carried out if GFS is detected twice in a row in RFCK standard.

SERVOC	Threshold
0	Servo lock falling after RFCK 64
1	Servo lock falling after RFCK 128

- CLVC(1:0): Mode select for DVD/CD's CLV lock on/off
CLV Lock decision signal in wide mode: GFS
CLV Lock decision signal in narrow mode: GFS narrow
The narrow signal means the pll operates within the linear range selected by MDSCON(1:0). Narrow means GFS = high, and the 'not saturated' condition.

CLVC1	CLVC2	CLVLOCK On (Active High)	CLVLOCK Off (Active Low)
0	0	Wide	Wide
0	1	Wide	Narrow
1	0	Narrow	Wide
1	1	Narrow	Narrow

CLVMODE: CLV Mode Register								
Address	Bit7	Bit6	Bit5	Bit4	Bit3	Bit2	Bit1	Bit0
16	SDWP	SDWB	-	-	SDCM3	SDCM2	SDCM1	SDCM0
Reset Value	1	1	-	-	0	0	0	0

- SDWp: Small section sample signal
0: Sample every RFCK/4
1: Sample every RFCK/2
- SDWb: Large section sample signal
0: Sample every RFCK/32
1: Sample every RFCK/16
- SDCM3 - SDCM0: CLV mode select

SDCM3	SDCM2	SDCM1	SDCM0	CLV Mode	MDP Block	MDS Block
0	0	0	0	STOP	Hi-Z	Hi-Z
1	0	0	0	KICK	H	Hi-Z
1	0	1	0	BRAK	L	Hi-Z
1	1	1	0	CLVS	L,Z,H	Hi-Z
1	1	0	0	CLVH	L,Z,H	Hi-Z
1	1	1	1	CLVP	L,Z,H	L,H
0	1	1	0	CLVA	L,Z,H	L,Z,H
1	0	0	1	CAV	Hi-Z	L,Z,H
Other				Reserve		

MDP must output to Hi-Z in stop mode.

TRMODE: Data Transfer Mode Register								
Address	Bit7	Bit6	Bit5	Bit4	Bit3	Bit2	Bit1	Bit0
19	IFMOD2	IFMOD1	IFMOD0	-	CDIF0	DRATE	-	DVDIF0
Reset Value	0	0	0	-	0	1	-	1

- IFMOD2 - 0: Transfer I/F method to A/V decoder or ROM decoder select

IFMOD2	IFMOD1	IFMOD0	Transfer I/F Method
0	0	0	C (A/V decoder: Synchronous)
-	-	-	Reserved

- CDIF0: CD Interface format select

CDIF0	Transfer Format
0	Format 1
1	Format 2

- DRATE: Transfer speed to A/V decoder or ROM decoder select
1: Byte/240nS
0: Byte/480nS
Fixed to byte/240nS in DVD-ROM mode.

- DVDIF0: DVD interface format select

DVDIF0	Transfer Format	Transfer Data
0	Mode 1	2048 Bytes Main
1	Mode 2	2064 Bytes Sector

CDSPEED: CD Speed Control Register								
Address	Bit7	Bit6	Bit5	Bit4	Bit3	Bit2	Bit1	Bit0
1A	-	-	-	-	-	CDSPD2	CDSPD1	CDSPD0
Reset Value	-	-	-	-	-	0	0	0

- CD speed control register

CDSPD2	CDSPD1	CDSPD0	DISC Speed
0	0	0	1x
0	0	1	2x
0	1	0	4x
Other			Reserved

CDMUTCNT: CD Mute Control Register								
Address	Bit7	Bit6	Bit5	Bit4	Bit3	Bit2	Bit1	Bit0
1B	CBITIN2	CBITIN1	CBITIN0	DKOEN	DEMPHA	MUTE	ZCMT	ATTN
Reset Value	0	0	0	0	0	1	0	0

- CBITIN(2:0): Digital audio output control mode select
 CBITIN0 = 0: For common use (mode II)
 CBITIN1 = 0: Audio
 CBITIN2 = 0: Digital copy prohibited,
 1: Digital copy possible
- DKOEN: Digital audio output mode select
 0: Hi-Z
 1: Output
- DempHA: CD audio's deemphasis control
 0: Deemphasis off
 1: Deemphasis on
- MUTE: CD-DA data mute
 0: Mute off
 1: Mute on
- ZCMT: Zero cross mute control bit
 0: Zero cross mute on
 1: Zero cross mute off
- ATTN: Attenuation on/off
 0: Attenuation off
 1: Attenuation on

ATTN	MUTE	dB
0	0	0
0	1	-∞
1	0	-12
1	1	-12

CDCONTROL: CD Control Register								
Address	Bit7	Bit6	Bit5	Bit4	Bit3	Bit2	Bit1	Bit0
1C	-	-	-	-	BYPASS	INFR	T3_SEL	T3_MODE
Reset Value	0	0	0	0	1	1	0	0

- **BYPASS:**
H: Normal L-ch/ R-ch data serial output
L: Error value correcting circuit application.
- **INFR:** Decides whether to release the frame window right after the inserted frame number set by FGSEL (1:0), or wait until after seeing a few more frame syncs detected by FWID.

0: Release frame window right after the inserted frame number set by FGSEL (1:0). Inserted counter is reset by the frame sync detected first, and the frame window is locked again within a regular period.
1: Don't release frame window right after the inserted frame number set by FGSE (1:0). Lock frame window when detected frame syncs are generated continuously within a regular period, after the inserted counter is reset by the frame sync detected first.
- **T3_SEL:** When 2T is generated in the EFM input data, and more than 4T of data is maintained before and after, decides the direction change that will increase data by 2T in either direction to change to 3T.
H: Increase to previous 4T data direction.
L: Increase to later 4T data direction.
- **T3_MODE:** Carry out 3T correction using EFM input data
H: On
L: Off

CDCONTROL: CD Control Register								
Address	Bit7	Bit6	Bit5	Bit4	Bit3	Bit2	Bit1	Bit0
1D	ERAMOF	ERAMOL	maxmode 2f	maxmode 2l	c2eccf	c2eccl	c2erro onlyf	c2erro onlyl
Reset Value	1	1	0	0	1	1	0	0

- [ERAMODF]
 - 1: Erasure correction mode in DVD mode during max erasure generation
Erasure correction mode in CD-first-C2 mode during max erasure generation
 - 0: Erasure correction mode in DVD mode during max erasure generation
Erasure correction mode in CD-first-C2 mode during max erasure generation
- [ERAMODL] There is no DVD mode.
 - 1: Erasure correction mode in CD-last-C2 mode during max erasure generation
 - 0: Erasure correction mode in CD-last-C2 mode during max erasure generation
- [maxmode2f]
 - 1: Don't error correct max erasure generation in DVD mode
Don't error correct max erasure generation in CD-first-C2 mode
 - 0: Error correct max erasure generation in DVD mode
Error correct max erasure generation in CD-first-C2 mode
- [maxmode2l] There is no DVD mode.
 - 1: Don't error correct max erasure generation in CD-last-C2 mode
 - 0: Error correc2eccf] There is no DVD Mode
- [c2eccf] There is no DVD mode
 - 1: Don't error correct overflow generation in CD-first-C2 mode
 - 0: Error correct overflow generation in CD-first-C2 mode
- [c2eccl] There is no DVD mode
 - 1: Don't error correct overflow generation in CD-last-C2 mode
 - 0: Error correct overflow generation in CD-last-C2 mode
- [c2erronlyf]
 - 1: Only error correct in CD-first-C2 mode (Ignore flag)
 - 0: Error correct in CD-first-C2 mode (erasure or error)
- [c2erronlyl]
 - 1: Only error correct in CD-last-C2 mode
 - 0: Error correct in CD-last-C2 mode (erasure or error) CT max erasure generation in CD-last-C2 mode

CDCONTROL: CD Control Register								
Address	Bit7	Bit6	Bit5	Bit4	Bit3	Bit2	Bit1	Bit0
1E	-	cdecc	eccmode	c2fgtype [4]	c2fgtype [3]	c2fgtype [2]	c2fgtype [1]	c2fgtype [0]
Reset Value	-	1	0	1	1	1	1	1

- [cdecc] Repeat correction in CD mode (change name to existing VCDREP bit)
1: Repeat correction
0: Correct once
- [eccmode]
1: In CD repeat correction mode (cdecc = 1), don't correct errors in the first section, but correct the last section.
0: Correct the errors in both the first and last sections in CD repeat correction Mode.
- c2fgtype[4:0] Flag setting condition select in CD mode
c2fgtype[4];
1: If maxmodc2f/maxmodc2l = "1" in CD-C2 mode, C1 flag copy [11]
0: If maxmodc2f/maxmodc2l = "1" in CD-C2 mode, C2 flag out [01]
- c2fgtype[3];
1: If an overflow occurs in CD-C2 mode, C1 flag copy [11]
0: If an overflow occurs in CD-C2 mode, C2 flag out [01]
- c2fgtype[2]; CD repeat correction mode
1: Max correcting (both error and erasure) in CD-last-C2 mode, C1 flag copy [11] → default
0: Max correcting (both error and erasure) in CD-last-C2 mode, C2 flag out [01]
- c2fgtype[1]; CD one time correction mode
1: Max correcting (both error and erasure) in CD-C2 mode, C1 flag copy [11] → default
0: Max correcting (both error and erasure) in CD-C2 mode, C2 flag out [01]
- c2fgtype[0];
1: Uncorrectable code in CD-C2 mode, C1 flag copy [11]
0: Uncorrectable code in CD-C2 mode, C2 flag out [01]

CDCONTROL: CD Control Register								
Address	Bit7	Bit6	Bit5	Bit4	Bit3	Bit2	Bit1	Bit0
1F	-	-	-	-	SETFLG[3]	SETFLG[2]	SETFLG[1]	SETFLG[0]
Reset Value	-	-	-	-	1	1	1	1

- SETFLG[3:0]
SETFLG[3];
 - PI flag in DVD mode
1: Flag setting only when correction is impossible. (error or erasure) → Must be 'default'
 - C1-first flag in CD mode
1: Flag setting only when correction is impossible (more than 2 errors)
0: Flag setting even during 2 error correction
- SETFLG[2];
 - PO flag in DVD mode
1: Flag setting only when correction is impossible (error or erasure) → Must be 'default'
 - C2-first flag in CD mode
1: Flag setting only when correction is impossible (more than 2 errors) → Must be 'default'
- SETFLG[1]; No DVD mode. C1-last flag in CD mode.
1: Flag setting only when correction is impossible (more than 2 errors)
0: Flag setting even during 2 error correction
- SETFLG[0]; No DVD mode. C1-last flag in CD mode.
1: Flag setting only when correction is impossible (more than 2 errors) → Must be 'default'

WADRH/M/L: Address Setting on MICOM Direct Access Buffer Mode (Read/Write)								
Address	Bit7	Bit6	Bit5	Bit4	Bit3	Bit2	Bit1	Bit0
20	-	-	-	ADR20	ADR19	ADR18	ADR17	ADR16
21	ADR15	ADR14	ADR13	ADR12	ADR11	ADR10	ADR9	ADR8
22	ADR7	ADR6	ADR5	ADR4	ADR3	ADR2	ADR1	ADR0
WDATA: Data write to buffer (when MDAB = 1)								
23	WDT7	WDT6	WDT5	WDT4	WDT3	WDT2	WDT1	WDT0
Reset Value	20 - 23 register: all-zero							

Buffer Writing

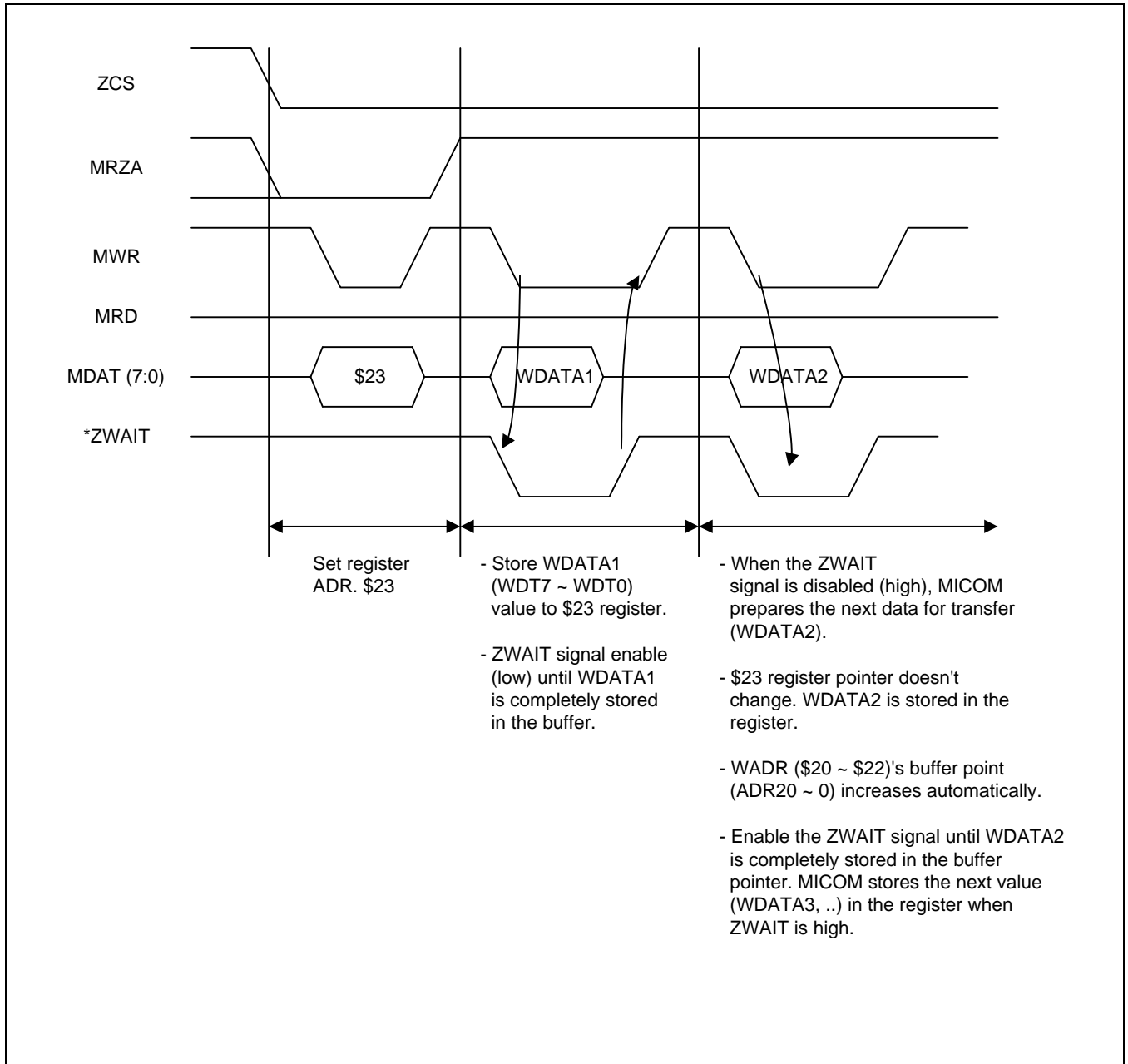


Figure 5. Buffer Writing

Last Writed Address Reading

Read the buffer pointer value (+ 1) last written in the buffer.

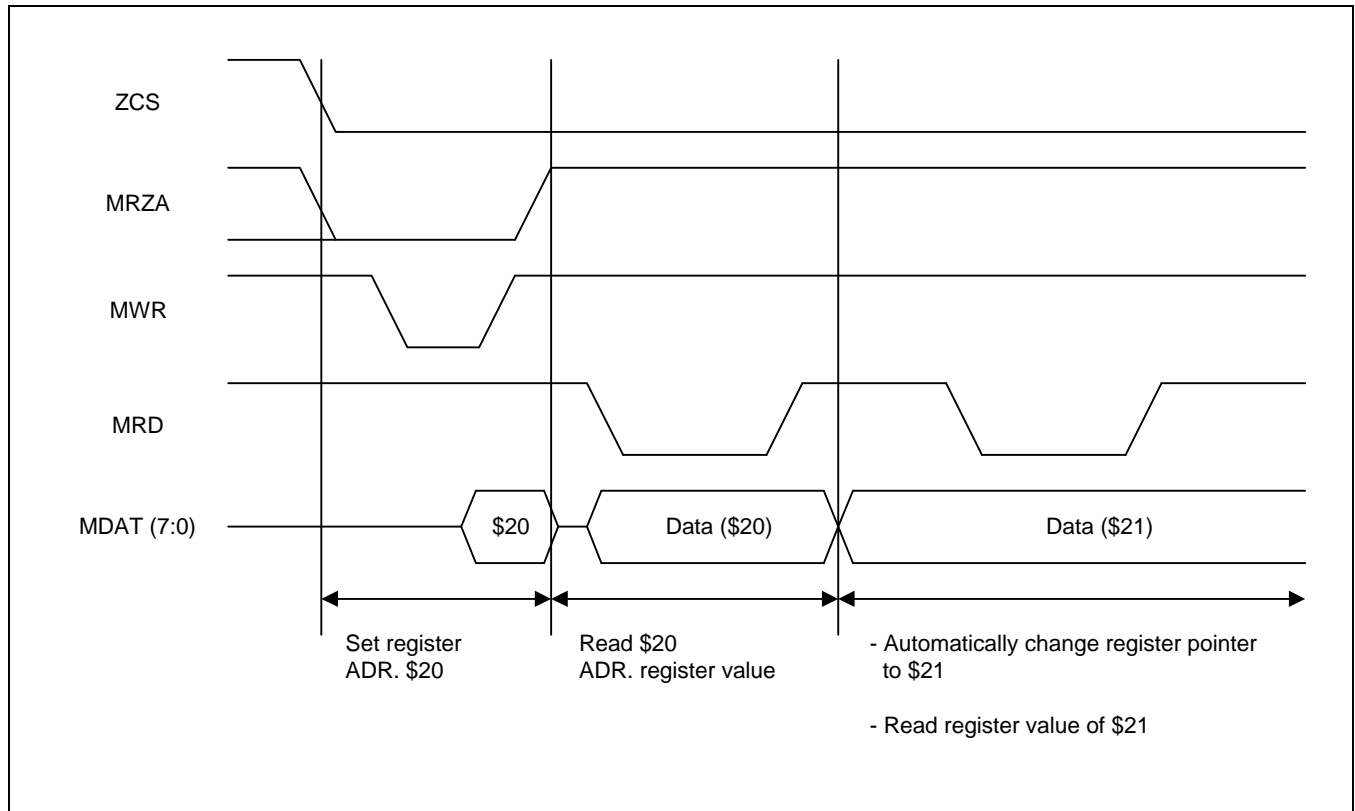


Figure 6. Last Writed Address Reading

Buffering Start Sector Unit Number								
Address	Bit7	Bit6	Bit5	Bit4	Bit3	Bit2	Bit1	Bit0
30	B9 - B8							
31	B7 - B0							
Reset Value	3FF							

Select the start sector unit number for storing EFM data in the buffer. Set W sector unit.

ECC Start Sector Unit Number								
Address	Bit7	Bit6	Bit5	Bit4	Bit3	Bit2	Bit1	Bit0
32	B9 - B8							
33	B7 - B0							
Reset Value	3FF							

Select the sector unit number for error correction. (Set in units of blocks with B3 - B0 = "0") Set X sector unit.

Transfer Start Sector Unit Number								
Address	Bit7	Bit6	Bit5	Bit4	Bit3	Bit2	Bit1	Bit0
34	B9 - B8							
35	B7 - B0							
Reset Value	1FF							

Select sector unit number for starting data transfer. Set Z sector unit.

The unit number above is automatically incremented in units of sectors when all applicable start signals are enabled and completed.

Unit Number definition

B9 - 8: Bank 0 - 3

B7 - 4: Block 0 - 12

B3 - 0: Sector 0 - 15

Over Threshold Size (Sector Unit Number) (Read/Write)								
Address	Bit7	Bit6	Bit5	Bit4	Bit3	Bit2	Bit1	Bit0
36	B9 - B8							
37	B7 - B0							
Reset Value	All High							

Set buffer memory's over threshold size (maximum 16 blocks). In other words, set the maximum allowable value for the absolute value of (unit number W-unit number Z). When the section filled with memory is larger than the selected value, the Z-decoder generates an over interrupt.

Under Threshold Size (Sector Unit Number) (Read/Write)								
Address	Bit7	Bit6	Bit5	Bit4	Bit3	Bit2	Bit1	Bit0
38	B9 - B8							
39	B7 - B0							
Reset Value	All Zero							

Set buffer memory's under threshold size (maximum 16 blocks). In other words, set the minimum allowable value for the absolute value of (unit number w - unit number Z). When the section filled with memory is less than the selected value, the Z-Decoder generates an under interrupt.

Transfer Sector Number Select (Read/Write)								
Address	Bit7	Bit6	Bit5	Bit4	Bit3	Bit2	Bit1	Bit0
3A	B15 - B8							
3B	B7 - B0							
Reset Value	All High							

Sets the number of bytes of the data to be transferred to the A/V decoder or ROM decoder. Maximum number of sectors to be transferred is 64K sectors. After transferring the predetermined number of sectors, the Z-decoder generates the transfer complete interrupt (TRSCMPLT).

Buffer Size for MICOM select (Read/Write)								
Address	Bit7	Bit6	Bit5	Bit4	Bit3	Bit2	Bit1	Bit0
3C	-	-	-	-	B3	B2	B1	B0
Reset Value	-	-	-	-	0	0	0	1

Select the size of the buffer for MICOM. The size is in units of ECC blocks (16KBytes), and a maximum of 8 blocks is possible in bank units.

(LSB 4 bits: For DVDs '0001'[Block 1] - '1000'[Block 8]
For CDs '0001' - '0111')

The initial value is 1 block.

Bank: composed in units of 4 Mbit. There are 4 banks in a 16M bit, so a buffer for MICOM with a maximum of 32 Block (512K byte → 4Mbits) can be guaranteed.

Decoder Direct Block Copy Source Sector Address Select (Read/Write)								
Address	Bit7	Bit6	Bit5	Bit4	Bit3	Bit2	Bit1	Bit0
3D	B9 - B8							
3E	B7 - B0							
Reset Value	All Zero							

Source sector address which is used in the mode that automatically moves the data to be used by MICOM within the buffer in units of sectors.

Decoder Direct Block Copy Target Sector Address Select (Read/Write)								
Address	Bit7	Bit6	Bit5	Bit4	Bit3	Bit2	Bit1	Bit0
40	B9 - B8							
41	B7 - B0							
Reset Value	All Zero							

Target sector address which is used in the mode that automatically moves the data to be used by MICOM within the buffer in units of sectors.

Descramble Start Sector Unit Number (Read/Write)								
Address	Bit7	Bit6	Bit5	Bit4	Bit3	Bit2	Bit1	Bit0
42	B9 - B8							
43	B7 - B0							
Reset Value	1FF							

Set descramble starting sector unit number.

The unit number is automatically incremented when all applicable start signals are enabled and completed in units of sector.

Unit number definition

- B9 - 8: Bank 0 - 3
- B7 - 4: Block 0 - 12
- B3 - 0: Sector 0 - 15

USERREG								
Address	Bit7	Bit6	Bit5	Bit4	Bit3	Bit2	Bit1	Bit0
A8	-	-	TSTWRD	ectest	-	-	-	-
Reset Value	-	-	0	0	-	-	-	-

- TSTWRD: For chip testing.
- Ectest: For ECC block simulation (let it be in default state)

USRREG: ECC Operation Control/Memory Point Reset								
Address	Bit7	Bit6	Bit5	Bit4	Bit3	Bit2	Bit1	Bit0
AA	MONITO R3	MONITO R2	MONITO R1	MONITO R0	MPRSTZ	TSTEND MUX	TSTPOR END	TSTPIRE ND
Reset Value	0	0	0	0	1	0	0	0

- MONITOR 3 - 0: For internal signal monitoring in chip test mode.
- MPRSTZ: BUNP, DUNP, EUNP, and TUNP's initial value select register
 1: TUNP = "1FF"
 0: BUNP, DUNP, EUNP = "3FF"

Used for stopping a mode by force during ECC's operation (PI read or PO read). When the operation is stopped, the next operation is carried out according to the specified ECC mode. In other words, if you stop the first PI process by force in PI+PO+PI mode, the PO mode is initiated, and if the PO mode is stopped by force, the next PI is initiated. If you stop during the last PI process, the next ECC block's first PI process is initiated.

- Stop operation:
 - ① Tstendmux bit set to "1".
 - ② Tstpirend if PI. tstporend if PO, set the bit to "1". → Stop the operation at this time.
 - ③ Tstpirend or tstporend bit is set to '0'.
 - ④ Set tstendmux bit to "0"
 - ③ and ④ can be carried out simultaneously.

USRREG: Data Transfer/Test Mode Register								
Address	Bit7	Bit6	Bit5	Bit4	Bit3	Bit2	Bit1	Bit0
AE	REQEG	ACKEG	STREG	TOSEG	DTEREG	-	TSTID	TSTIDSY
Reset Value	0	0	0	0	0	-	0	0

- REQEG, ACKEG, STREG, TOSEG, DTEREG
Selects the active mode of the transfer-related signals (DATREQ, DATAACK, STROBE, TOS, DTER).

VALUE	REQEG	ACKEG	STREG	TOSEG	DTEREG
1	Active High	Active High	Falling Edge	Active High	Active High
0	Active Low	Active Low	Rising Edge	Active Low	Active Low

- TSTID, TSTIDSY
For chip testing

USERREG: PWM Register								
Address	Bit7	Bit6	Bit5	Bit4	Bit3	Bit2	Bit1	Bit0
C0	PWM07	PWM06	PWM05	PWM04	PWM03	PWM02	PWM01	PWM00
C1	PWM17	PWM16	PWM15	PWM14	PWM13	PWM12	PWM11	PWM10
C2	PWM27	PWM26	PWM25	PWM24	PWM23	PWM22	PWM21	PWM20
C3	PWM37	PWM36	PWM35	PWM34	PWM33	PWM32	PWM31	PWM30
C4	PWM47	PWM46	PWM45	PWM44	PWM43	PWM42	PWM41	PWM40
C5	PWM57	PWM56	PWM55	PWM54	PWM53	PWM52	PWM51	PWM50
C6	PWM67	PWM66	PWM65	PWM64	PWM63	PWM62	PWM61	PWM60
C7	PWM77	PWM76	PWM75	PWM74	PWM73	PWM72	PWM71	PWM70
Reset Value	1	0	0	0	0	0	0	0

- PWM output's high pulse width is capable of changing in 0 - 255 steps.
- Resolution: XT11 1CLK/STEP
- Address: Output pin

Address	C7	C6	C5	C4	C3	C2	C1	C0
Output PIN	PWMO7	PWMO6	PWMO5	PWMO4	PWMO3	PWMO2	PWMO1	PWMO0

CAVCONTROL: CAV Control Register								
Address	Bit7	Bit6	Bit5	Bit4	Bit3	Bit2	Bit1	Bit0
C8	CKSEL1	CKSEL0	-	-	-	CAVVAL10	CAVVAL9	CAVVAL8
C9	CAVVAL7	CAVVAL6	CAVVAL5	CAVVAL4	CAVVAL3	CAVVAL2	CAVVAL1	CAVVAL0
Reset Value	0	0	0	0	0	0	0	0

- CKSEL(1:0): Reference clock select for CAV control
- CAVVAL(10:0): Initial value select for CAV control

CAVCK(1)	CAVCK(0)	Nck	DISC Rotation Number Selection Range	
			DVD	CD
0	0	8	1372.4 - 2746.5	215.2 - 430.7
0	1	4	686.2 - 1372.4	107.6 - 215.2
1	0	2	343.1 - 686.2	53.8 - 107.6
1	1	1	171.5 - 343.1	26.9 - 53.8

In CAV mode, the disc rotating speed is set according to the following formula.

$$\text{DISC RPM} = \text{fsys} \times 10 \times \text{Nck} / 1024 / \text{CAV_REF}$$

Here,
 fsys: System clock for DVD (27MHz), for CD (33.8688/8MHz)
 Nck: Select clock division ratio using CAVCK[1:0]
 In other words, (8 → 1/128, 4 → 1/256, 2 → 1/512, 1 → 1/1024).
 CAV_REF26.16: Value defined by (1537- Ncarv).
 Has a range of 1408 ≤ CAV_REF ≤ 1537.

$$\text{Formual : } \text{CAV_REF} = \frac{\text{XTAL} \times 10 \times \text{Nck}}{1024 \times \text{RPM}}$$

Where XTAL: DVD (XTL1), CD (CK33MI/8)

Example) CAVVAL(10:0) value select for 1440 RPM

$$\text{CAV_REF} = \frac{26.16\text{MHz} \times 10 \times 8}{1024 \times 1440} = 1419.27 = 1419$$

$$\text{CAVVAR} = 1537 - 1419 = 118 = 76H$$

The CAV_REF value in the formula above can change depending on the fsys.

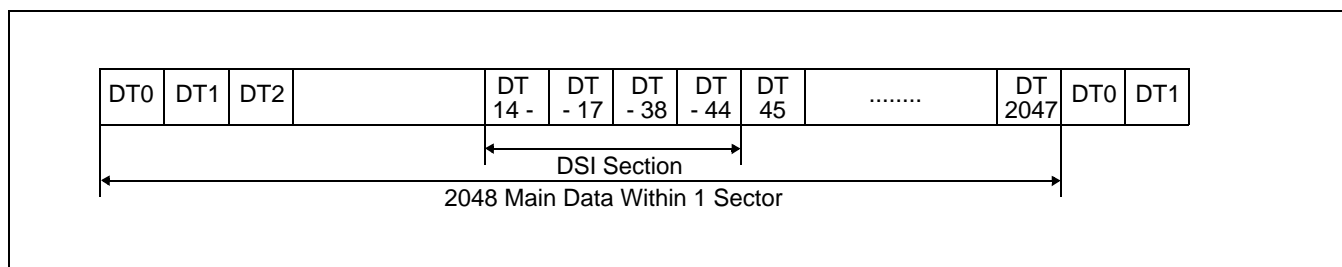
MICOM READ REGISTER & READ/WRITE REGISTER (R/W UNMARKED; R)

INTSTAT1: Interrupt Status Register 1								
Address	Bit7	Bit6	Bit5	Bit4	Bit3	Bit2	Bit1	Bit0
4A	DVDSINT	DSINT	TOSINT	TRSCMPLT	ECCMPLT	EMPTY	OVER	UNDER
Reset Value	0	0	0	0	0	0	0	0

- DVDSINT: DVD Sync interrupt request
Set to '1' each time a sync (ID sync) is output from the DVD decoder.
This interrupt is generated when INTCTL3 (\$0C)'s CLRINT bit is "1". It is cleared to "0" when MICOM reads the bit of the register

The first ID sync during abnormal PLAY (such as reset, search or jump) is an inserted ID sync, so you shouldn't use it as an ID interrupt.

- DSINT: DSI interrupt request
In the DVD decoder, out of the 2048 main data,
If the system header Start_Code (00, 00, 01, BB) starts at the 15th byte, and
The Packet_Header (00, 00, 01, BF, **, **) starts at the 39th byte and
Sub_Stream_id (00),
the sector is determined to be a DSI pack and sets DSINT to 1. When CLRINT bit is 1, it is cleared to "0" when MICOM reads the bit of the register.



- Don't care in CD mode.

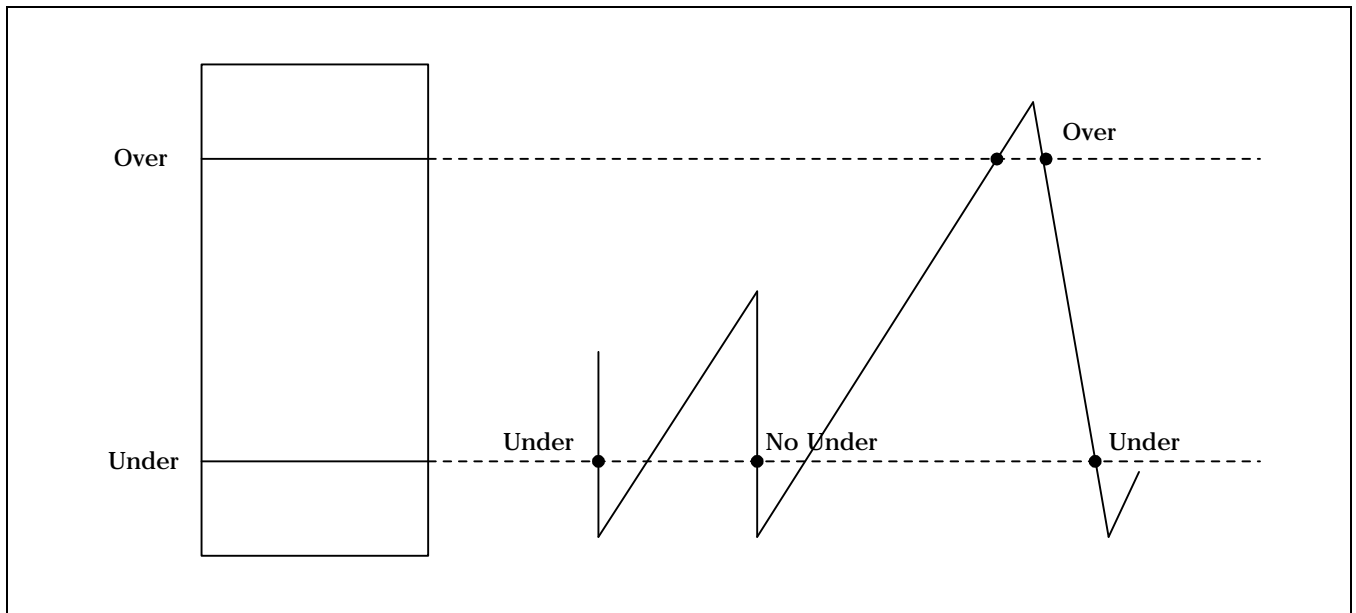
- TOSINT: Top of sector interrupt request
Request that marks the beginning of the sector during data transfer.
Cleared to '0' when CLRINT = "1" and MICOM reads the bit of the register.
- TRSCMPLT: Interrupt request sent when transfer is completed for the predetermined number of bytes.
- ECCMPLT: ECC complete interrupt request.
Interrupt request sent when error correction is completed. Cleared to "0" when CLRINT = "1" and MICOM reads the bit of the register.

Steps EMPTY, OVER, UNDER are the same as those of DVD Sync

- EMPTY: When there aren't any data (sector) to be transferred to memory.
- OVER: Memory overflow flag. If the section filled with memory when DVD sync is being generated is above the OTS (Over Threshold Size) value, the Z-decoder sends the over interrupt. It is cleared to '0' when CLRINT = "1" and MICOM reads the bit of the register.
- UNDER: Memory underflow flag
When the section filled with memory is under the UTS (Under Threshold Size) value, the Z-decoder sends the under interrupt. It is cleared to '0' when CLRINT = "1" and MICOM reads the bit of the register.

- OVER, UNDER interrupt

The new over interrupt only occurs if there is an over after an over interrupt and under interrupt have already occurred. Likewise, a new under interrupt only occurs if there is an under after an under interrupt has already occurred.



INTSTAT2: Interrupt Status Register 2								
Address	Bit7	Bit6	Bit5	Bit4	Bit3	Bit2	Bit1	Bit0
4B	SBQINT	MCPINT	-	-	-	-	-	-
Reset Value	0	0	-	-	-	-	-	-

- SBQINT: Subcode Q sync interrupt
Detects subcode sync S0, S1 and generates an interrupt.
- MCPINT: MICOM block copy complete interrupt.

ERRSTAT: ERROR Status Register								
Address	Bit7	Bit6	Bit5	Bit4	Bit3	Bit2	Bit1	Bit0
4C	EIDERR	DSIERR	IDCONERR	-	ECCERR	EDCFLG	-	SBQERR
Reset Value	0	0	0	-	0	0	-	0

Various error status information can be found using the interrupt status register.

- EIDERR: You can see if there are any errors in the ID address data in the EFM demodulated data sector being input into the current buffer according to the DVDSINT (DVD ID sync interrupt) state.
1: Errors detected (ID ECC error)
0: No Errors
- DSIERR: You can see if there are any errors in the currently generated DSINT (\$4A) according to the
- DVDSINT (DVD ID sync interrupt) state
1: Error possible (EDC error)
0: No errors
- IDCONERR: Continuity error presence in sector ID address of EFM data being written into the buffer (checks the continuity of two consecutive ID numbers)
1: Discontinuous
0: Continuous
- ECCERR: Error presence in current error corrected data, shown by ECCMPLT (ECC complete interrupt) state.
1: Error present (1 block's ECC results)
0: No errors
- EDCFLG: Error presence in 2064 bytes of sector data output to the A/V decoder, shown by TOSINT (top of sector interrupt) state.
1: Error present
0: No errors
- SBQERR: Error presence in subcode data output to the A/V decoder, shown by SBQINT (subcode Q interrupt) state.
1: Error present
0: No errors

DVDSTATUS: DVD Decoder Status Register								
Address	Bit7	Bit6	Bit5	Bit4	Bit3	Bit2	Bit1	Bit0
4D	-	-	-	-	SYOK	NOSY	ILSY	-
Reset Value	-	-	-	-	0	0	0	-

The Sync status of the sector with the interrupt can be found by the INTSTAT1 register (\$4A)'s DVDSINT interrupt.

- SYOK: "1" is read when ID sync is detected in the same timing as the inserted timing.
- NOSY: "1" is read when ID sync is not detected within window.
- ILSY: "1" is read when ID sync is detected outside window.

DVDSVSTAT: DVD Decoder Servo Status Register								
Address	Bit7	Bit6	Bit5	Bit4	Bit3	Bit2	Bit1	Bit0
4E	-	LOCK	GFS	-	-	-	-	-
Reset Value	-	0/X	0/X	-	-	-	-	-

- LOCK: "1" when the spindle servo is locked.
- GFS: "1" when the 16-8 frame sync (17.58kHz) from playback is found by accurate timing.

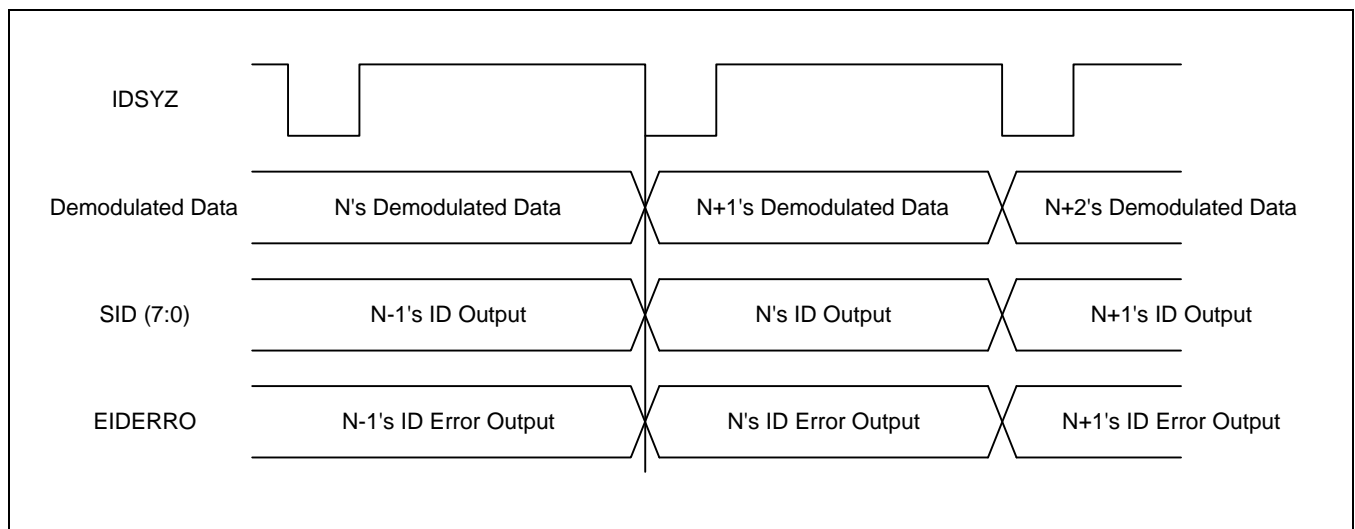
CDSUBQ: CD-DA Subcode Q Register								
Address	Bit7	Bit6	Bit5	Bit4	Bit3	Bit2	Bit1	Bit0
50	SBQ79 - SBQ72							
↓	↓							
↓	↓							
↓	↓							
59	SBQ07 - SBQ00							
Reset Value	X	X	X	X	X	X	X	X

CD-DA Subcode Q data storage.

When S0S1 (serve code block sync) is low, this data is valid.

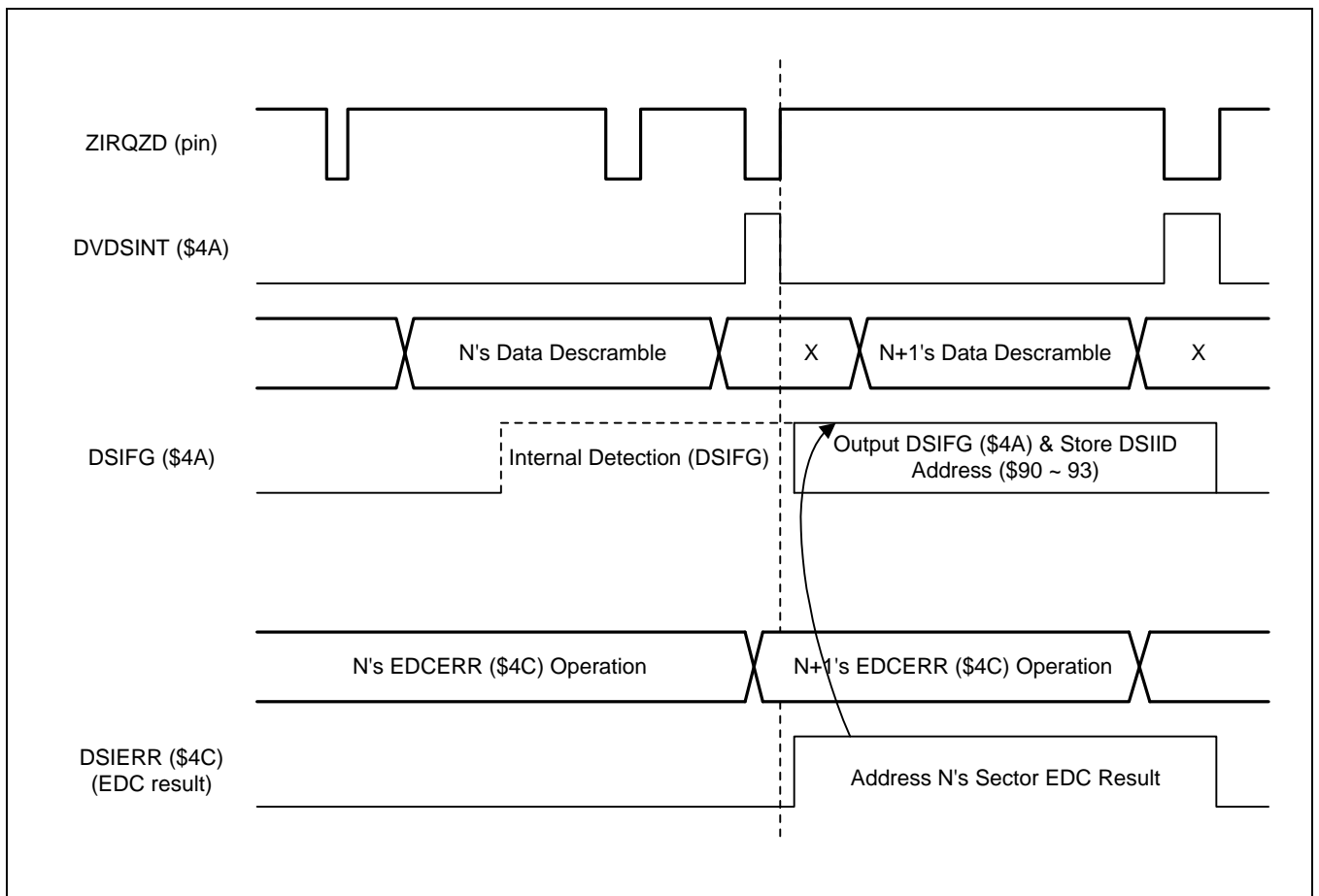
SEEKIDADR: ID Data During EFM Demodulation								
Address	Bit7	Bit6	Bit5	Bit4	Bit3	Bit2	Bit1	Bit0
60	SID31 - SID24							
61	SID23 - SID16							
62	SID15 - SID08							
63	SID07 - SID00							
Reset Value	X	X	X	X	X	X	X	X

This data is used for the ID address of the data being currently EFM demodulated, seamless buffering control, and disc search. it is valid until next DVDSINT interrupt.



TRANSIDADR: ID Data During Data Transfers to A/V Decoder								
Address	Bit7	Bit6	Bit5	Bit4	Bit3	Bit2	Bit1	Bit0
64	TID31 - TID24							
65	TID23 - TID16							
66	TID15 - TID08							
67	TID07 - TID00							
Reset Value	X	X	X	X	X	X	X	X

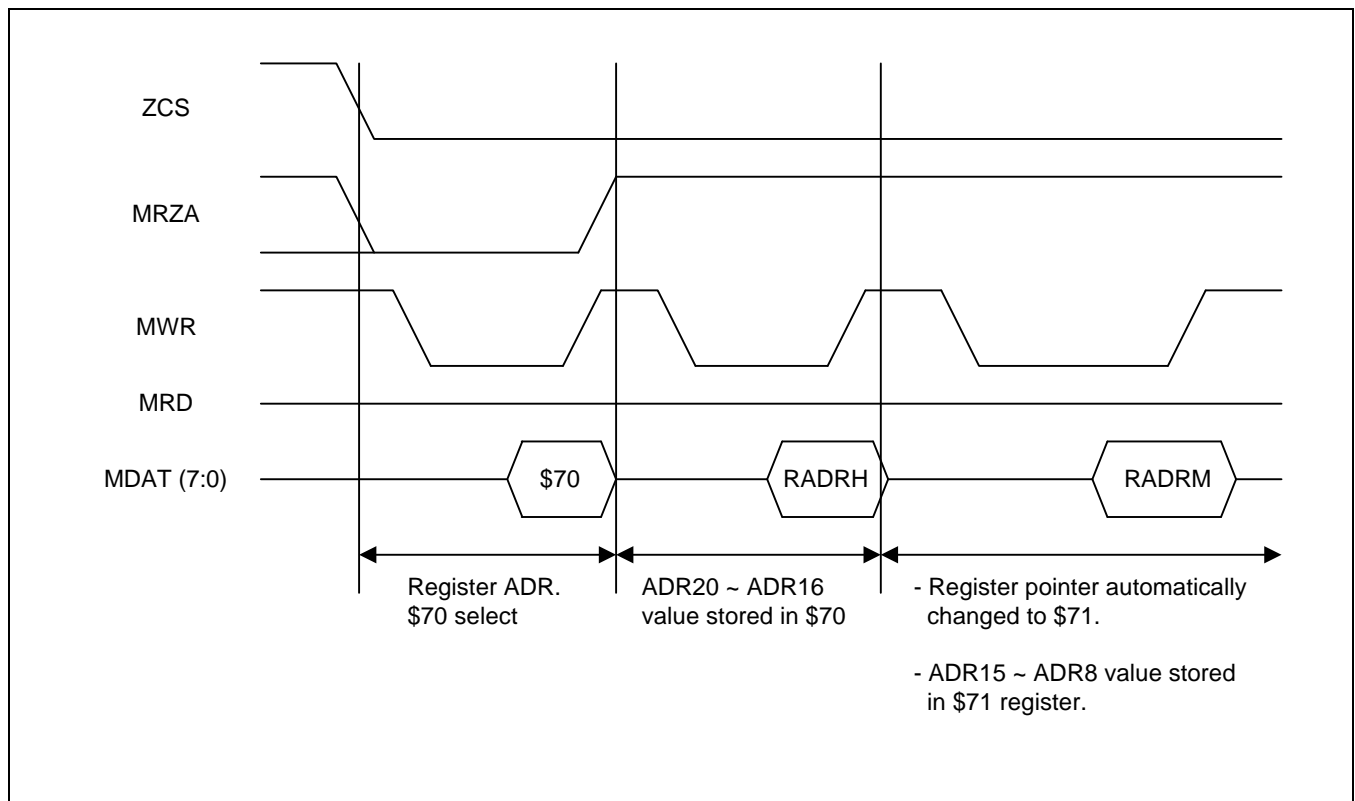
ID address of the data being output to the A/V decoder or ROM decoder after decoding. This data is valid until the next TOSINT interrupt.



RADR, RDATA: MDAB Register for Direct Access on DRAM (MDAB = 1) (Read/Write Register)								
Address	Bit7	Bit6	Bit5	Bit4	Bit3	Bit2	Bit1	Bit0
70	-	-	-	ADR20	ADR19	ADR18	ADR17	ADR16
71	ADR15	ADR14	ADR13	ADR12	ADR11	ADR10	ADR9	ADR8
72	ADR7	ADR6	ADR5	ADR4	ADR3	ADR2	ADR1	ADR0
RDATA: Data read from buffer (When MDAB = 1)								
73	RDT7	RDT6	RDT5	RDT4	RDT3	RDT2	RDT1	RDT0
Reset Value	All Zero							

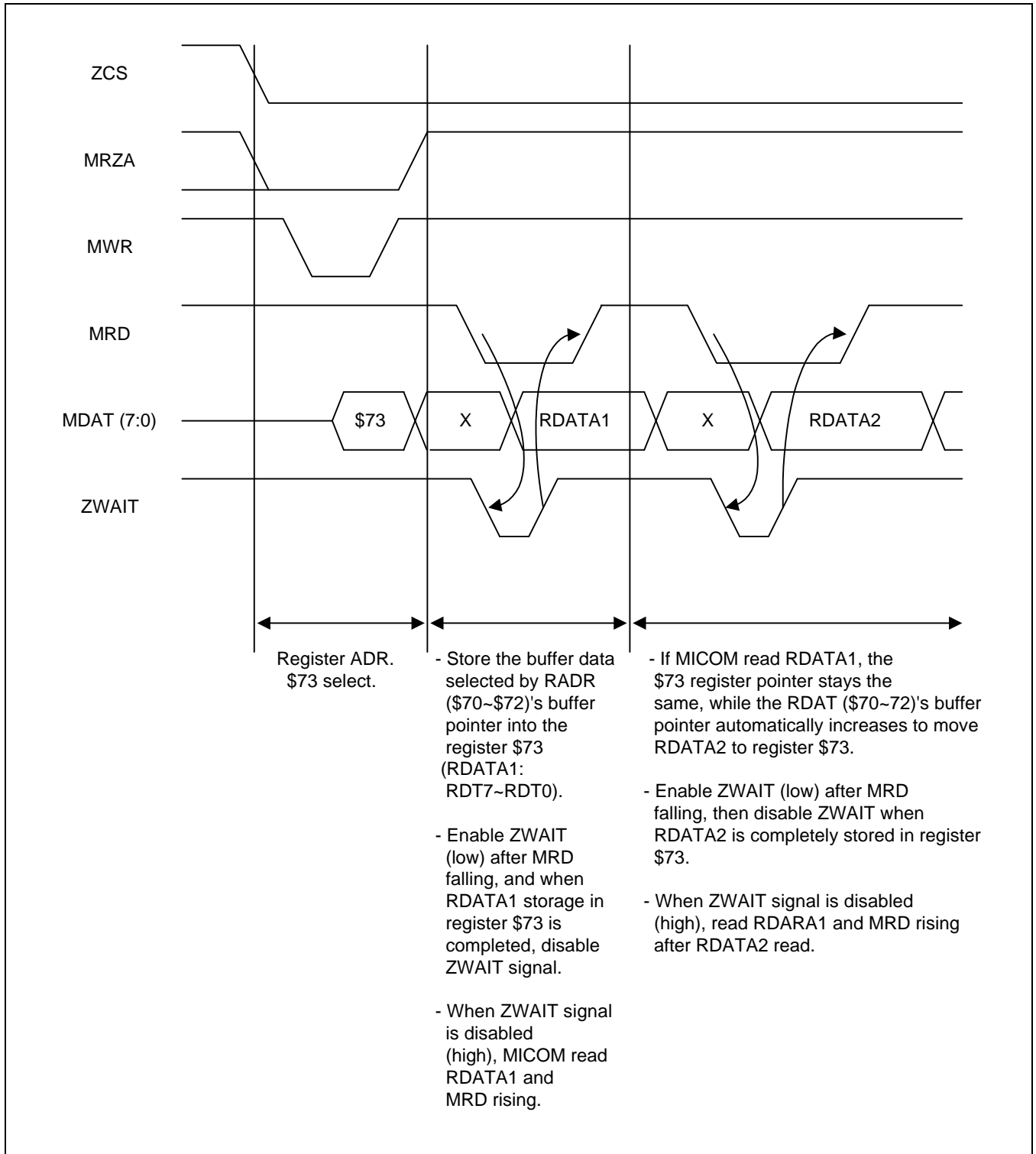
READ ACCESS

Buffer Read Address Setting



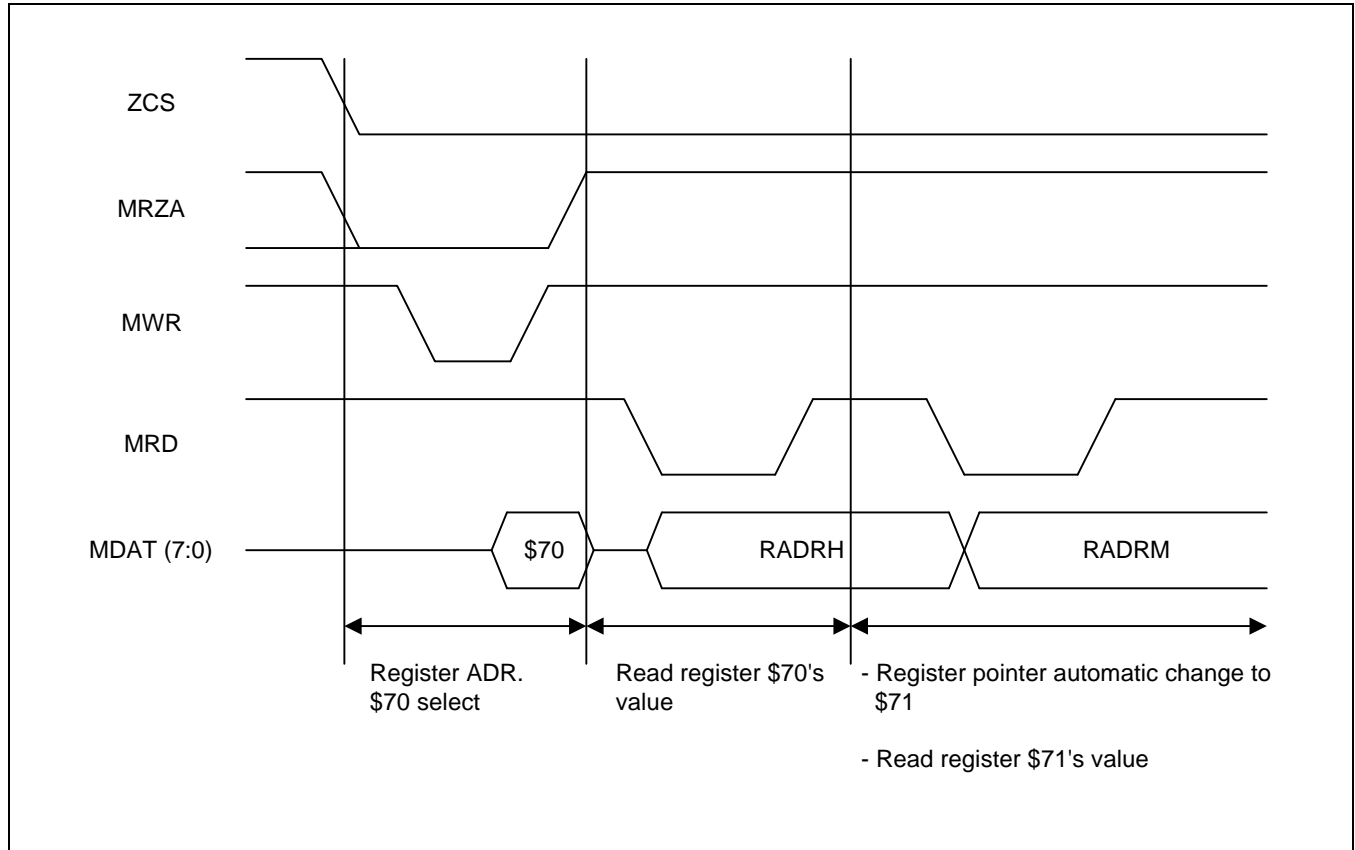
70's register address doesn't automatically increase, so it must always be set by MICOM.

Buffer Reading



Last Read out Address Reading

Read the value 'Buffer Pointer+1' from the last read out.



Buffering End Sector Unit Number								
Address	Bit7	Bit	Bit5	Bit4	Bit3	Bit2	Bit1	Bit0
80	B9 - B8							
81	B7 - B0							
Reset Value	B (9:0) = 3FF							

Sector unit Number of the current buffer after EFM data write completion. Valid until the next DVDSINT interrupt. 1 sector carried out while WRST low is stored. When WRST → 'L', the completed sector no.value is output (valid from first DVDSINT after WRST low).

ECC End Sector Unit Number								
Address	Bit7	Bit	Bit5	Bit4	Bit3	Bit2	Bit1	Bit0
82	B9 - B8							
83	B7 - B0							
Reset Value	B (9:0) = 3FF							

Sector unit number of the current buffer after error correction is completed. Valid until the next ECCMPT interrupt. When ECCST → 'L', immediately stopped. When ECCST → 'L', (ECC completed < or ended > block no.) is read.

Transferring End Sector Unit Number								
Address	Bit7	Bit	Bit5	Bit4	Bit3	Bit2	Bit1	Bit0
84	B9 - B8							
85	B7 - B0							
Reset Value	B (9:0) = 1FF							

Buffer unit number of the data continuing to be output to the A/V decoder or ROM decoder after the decoding. Valid until the next TOSINT interrupt. When TRST → 'L' outputs the transfer completed unit number.

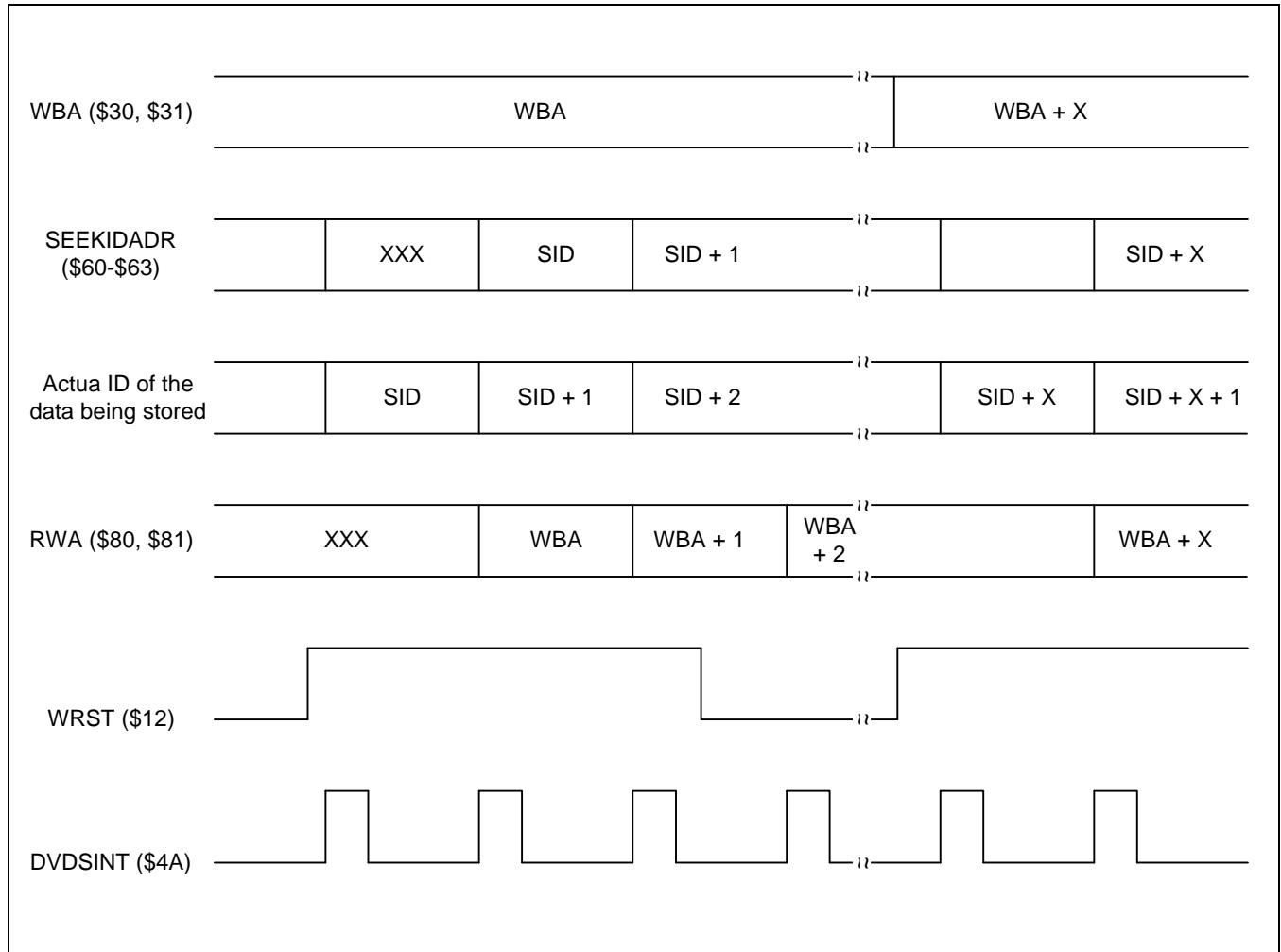
DSI Unit Number								
Address	Bit7	Bit	Bit5	Bit4	Bit3	Bit2	Bit1	Bit0
86	B9 - B8							
87	B7 - B0							
Reset Value	B (9:0) = 000							

Unit number of the buffer that stores the DSI sector after DSIFG (\$4A) generation. Valid until the next DVDSINT interrupt.

BUFFER WRITE

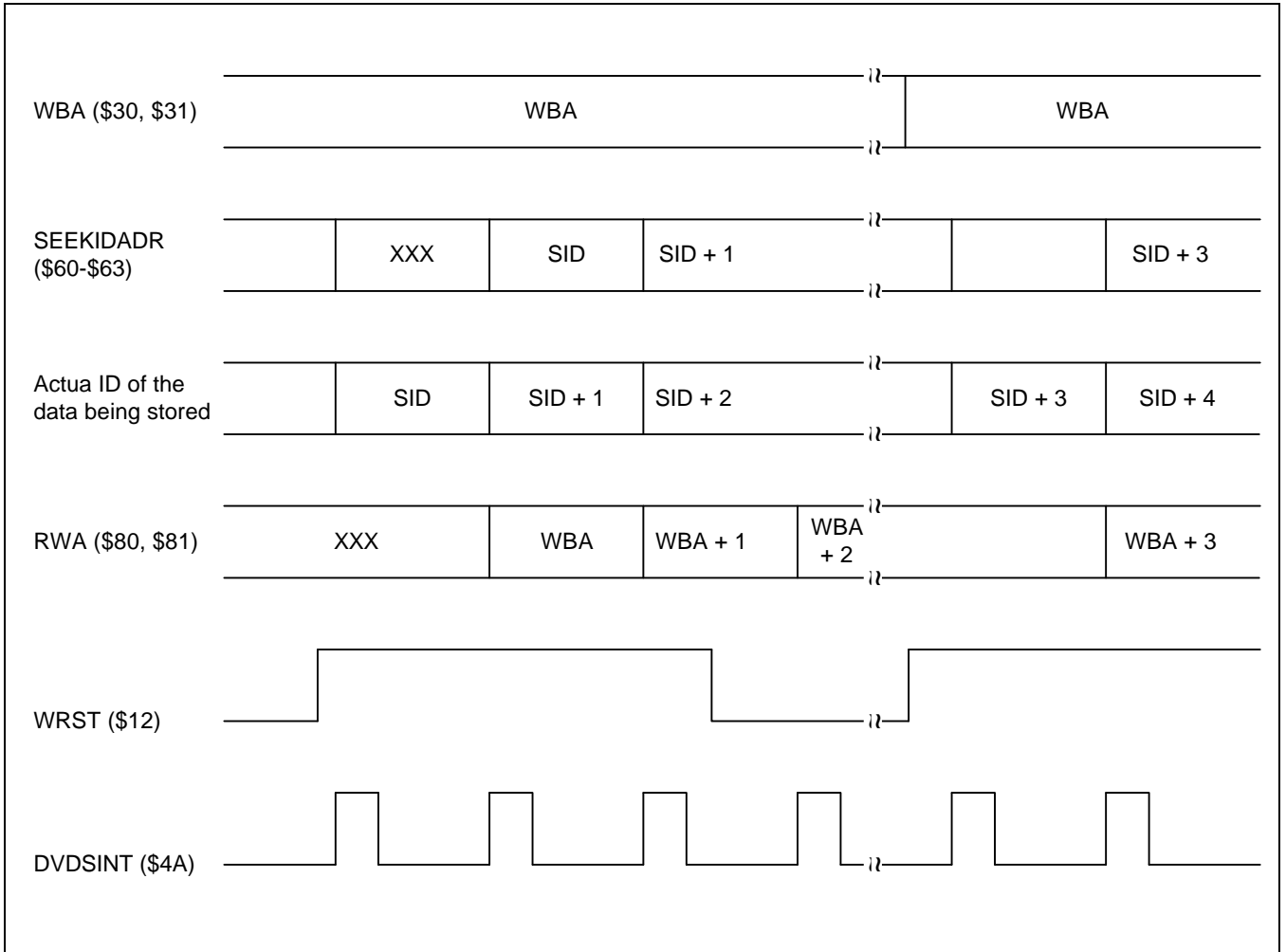
During Re-search or Jump Control

- Set WRST out of write to '0', reassign the memory address to WBA, and write.



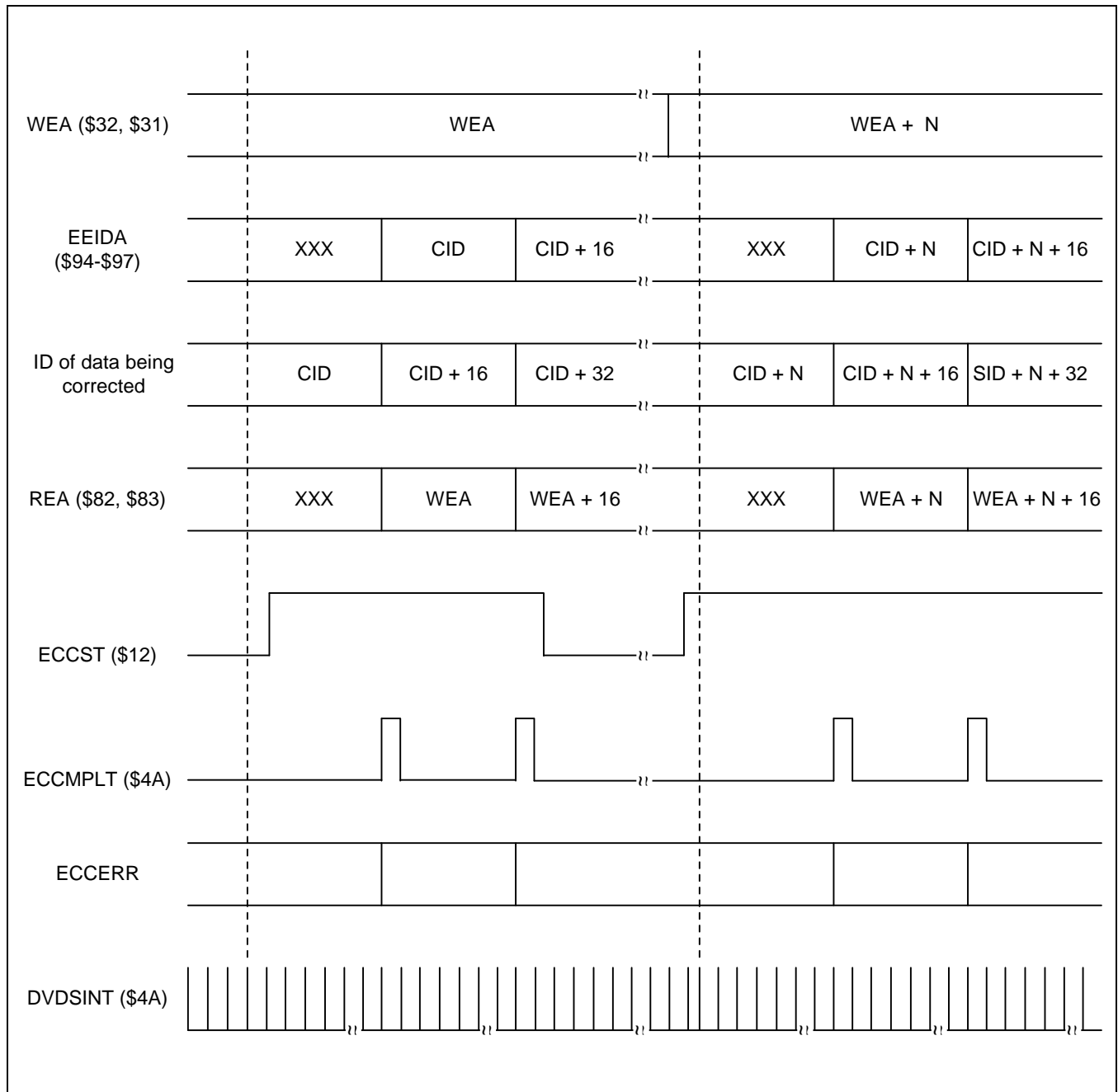
Write Control According to Over or Under Interrupt

- Stopping and starting write is accomplished by controlling WRST. The write location isn't reloaded.



ECC CONTROL

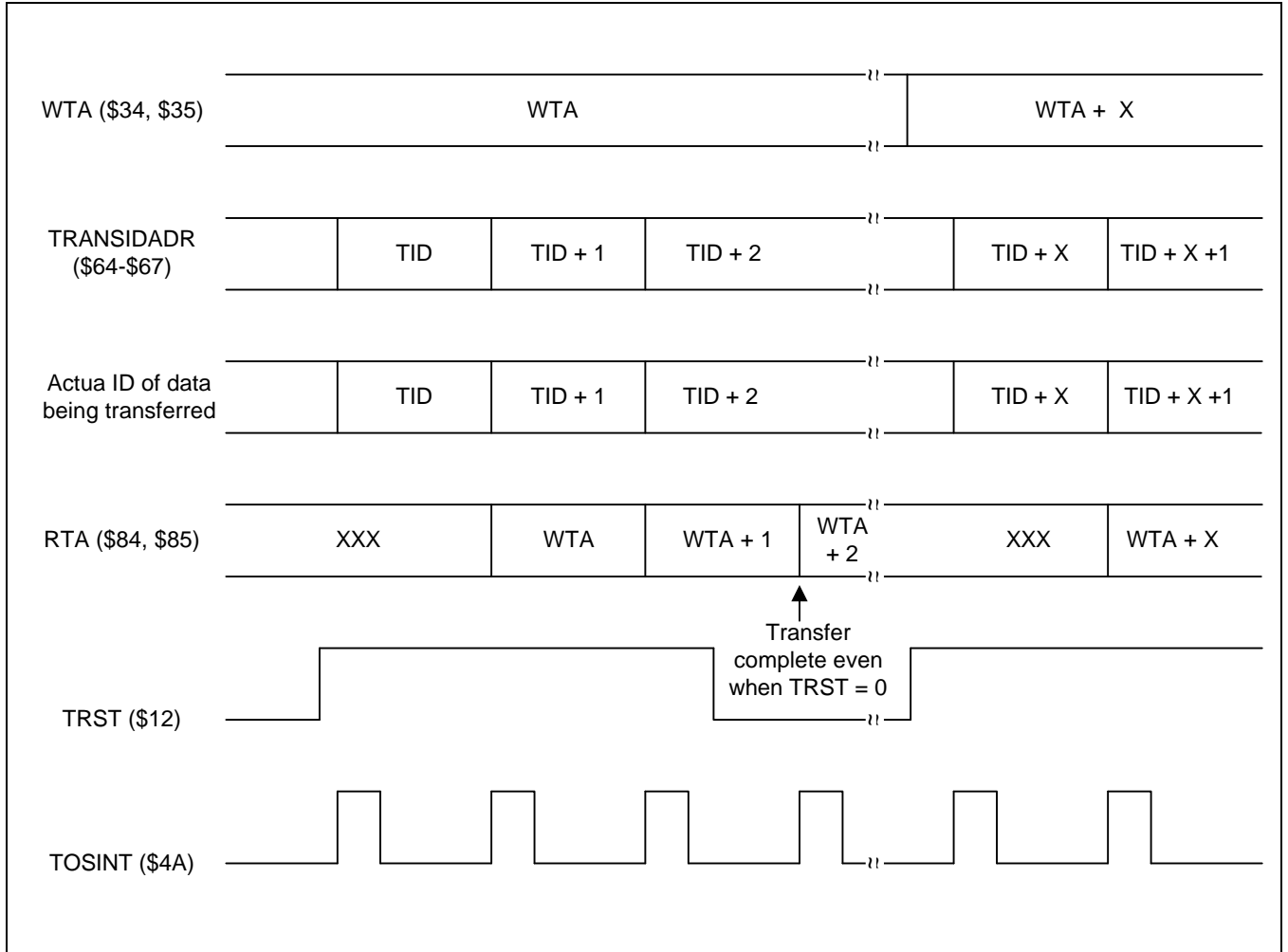
- If ECCST is "0" while must be carrying out ECC, always must be set the next ECC address to WEA.
- If ECCST is "0", stop the current ECC operation in execution.



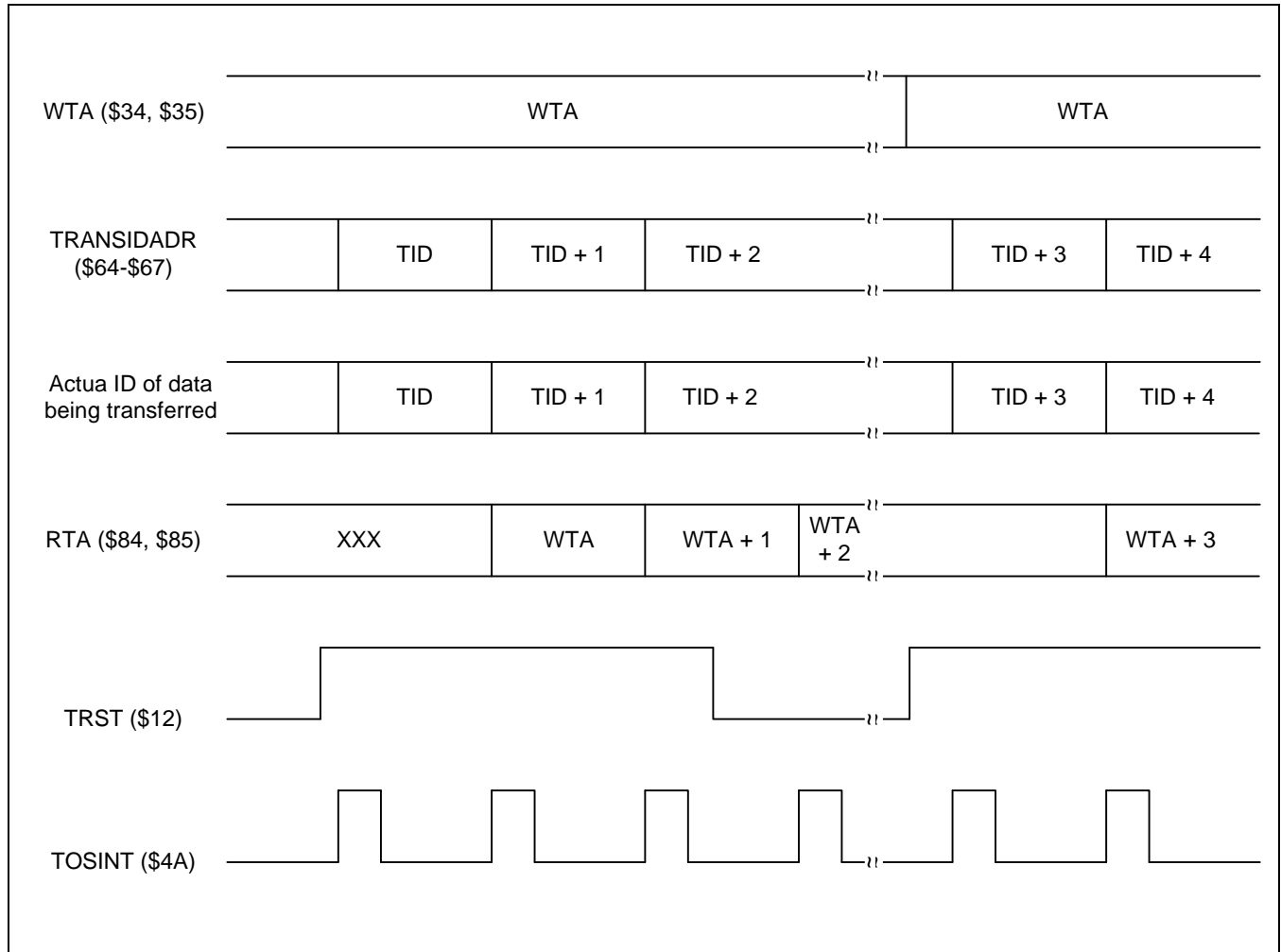
CONTROL DURING TRANSFER

Transfer After Reassigning The Memory Address During Transferring:

- Set TRST to '0', reassign a new address to WTA, and start re-transferring by setting TRST to '1'.
(Even if TRST is '0', reassignment must come after transferring the specified sector amount.)



Stopping and Starting Transfer by Controlling Only TRST



Descramble end Sector Unit Number								
Address	Bit7	Bit	Bit5	Bit4	Bit3	Bit2	Bit1	Bit0
88	B9 - B8							
89	B7 - B0							
Reset Value	B (9:0) = 3FF							

Sector unit number of the completely descrambled buffer

ECC end ID Address								
Address	Bit7	Bit	Bit5	Bit4	Bit3	Bit2	Bit1	Bit0
94	B31 - B24							
95	B23 - B16							
96	B15 - B8							
97	B7 - B0							
Reset Value	X	X	X	X	X	X	X	X

The ID address corresponding to the end sector unit number of the buffer that has just finished error correction. This data is valid until the next ECCMPT interrupt.

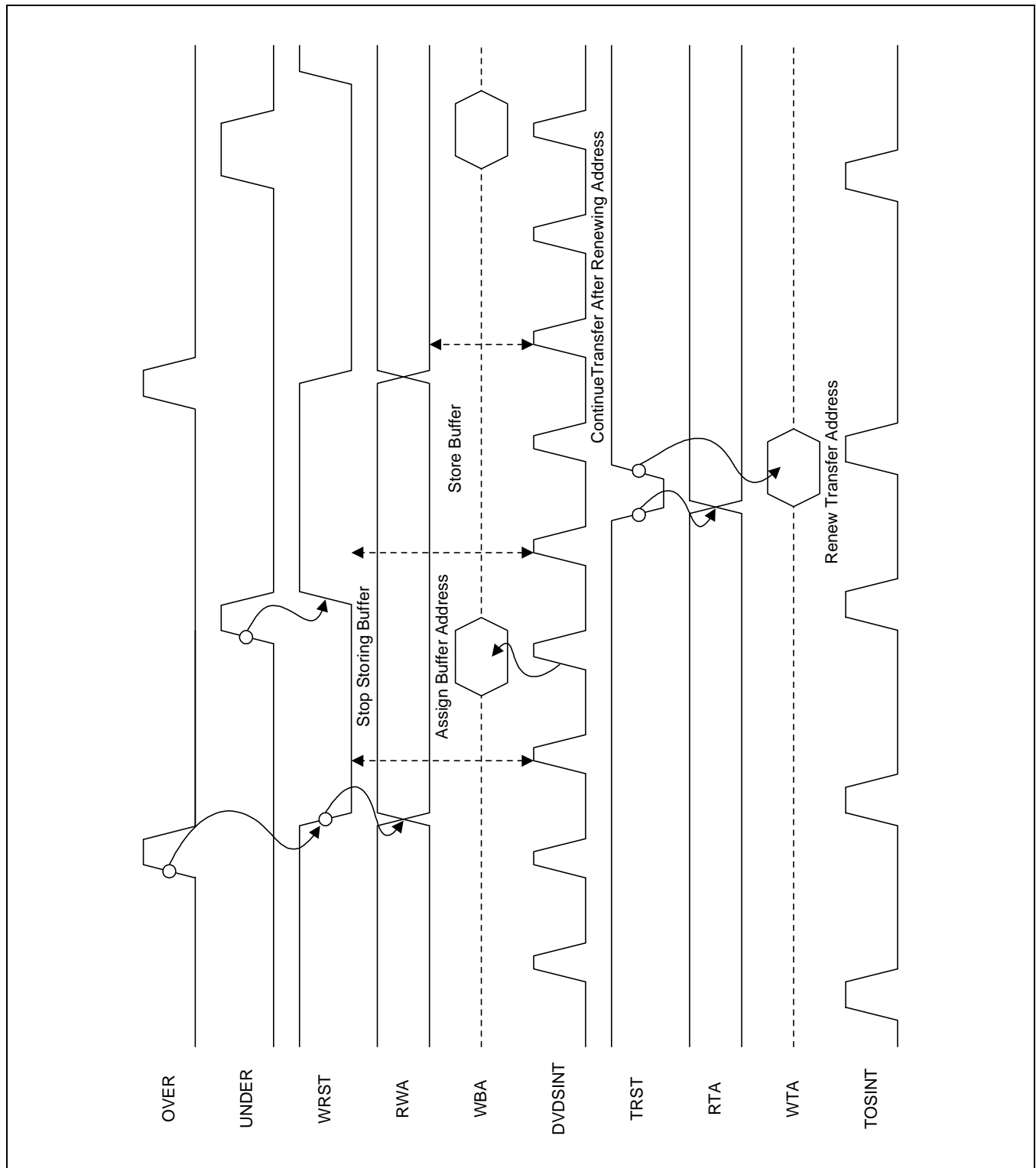
DSI ID Address								
Address	Bit7	Bit	Bit5	Bit4	Bit3	Bit2	Bit1	Bit0
9C	B31 - B24							
9D	B23 - B16							
9E	B15 - B8							
9F	B7 - B0							
Reset Value	X	X	X	X	X	X	X	X

DSI sector's ID address stored in the buffer after DSIFG (\$4A) generation. This data is valid until the next DVDSINT interrupt.

Remaining Data Size (SECTOR Unit)								
Address	Bit7	Bit	Bit5	Bit4	Bit3	Bit2	Bit1	Bit0
F0	B9 - B8							
F1	B7 - B0							
Reset Value	X	X	X	X	X	X	X	X

The difference between the sector unit number of a descrambled buffer and the unit number after transfer to the A/V decoder or ROM decoder. You can find out how much extra data you have to transfer.

OVER, UNDER INTERRUPT (\$4A) APPLICATION

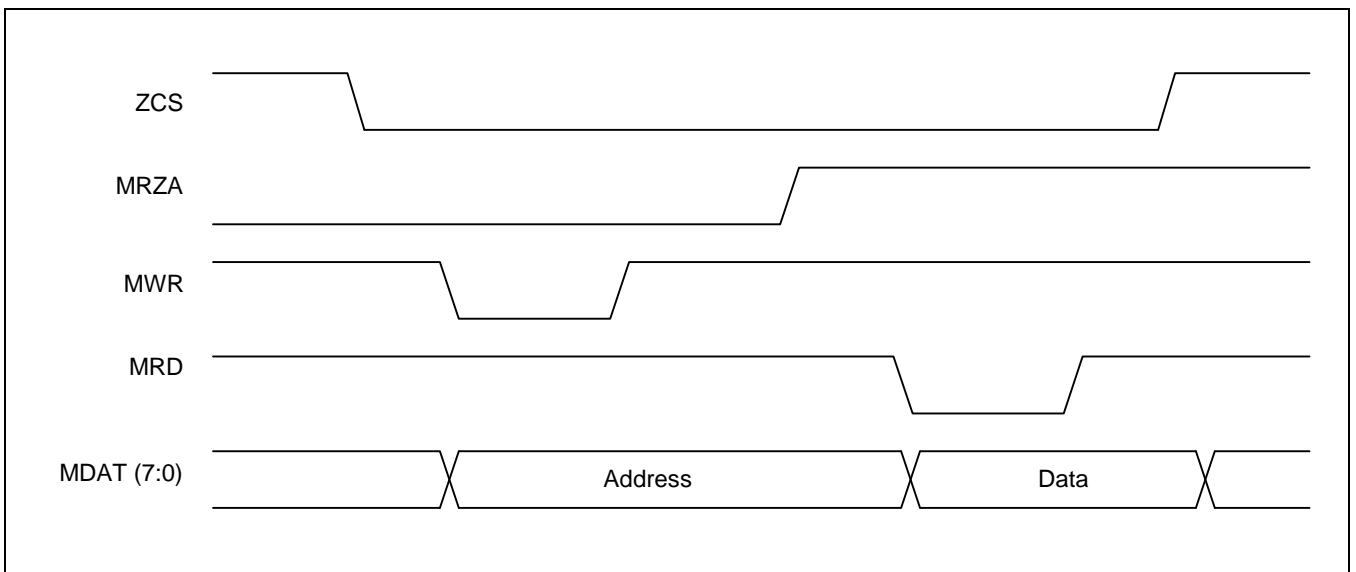


5 INTERFACE

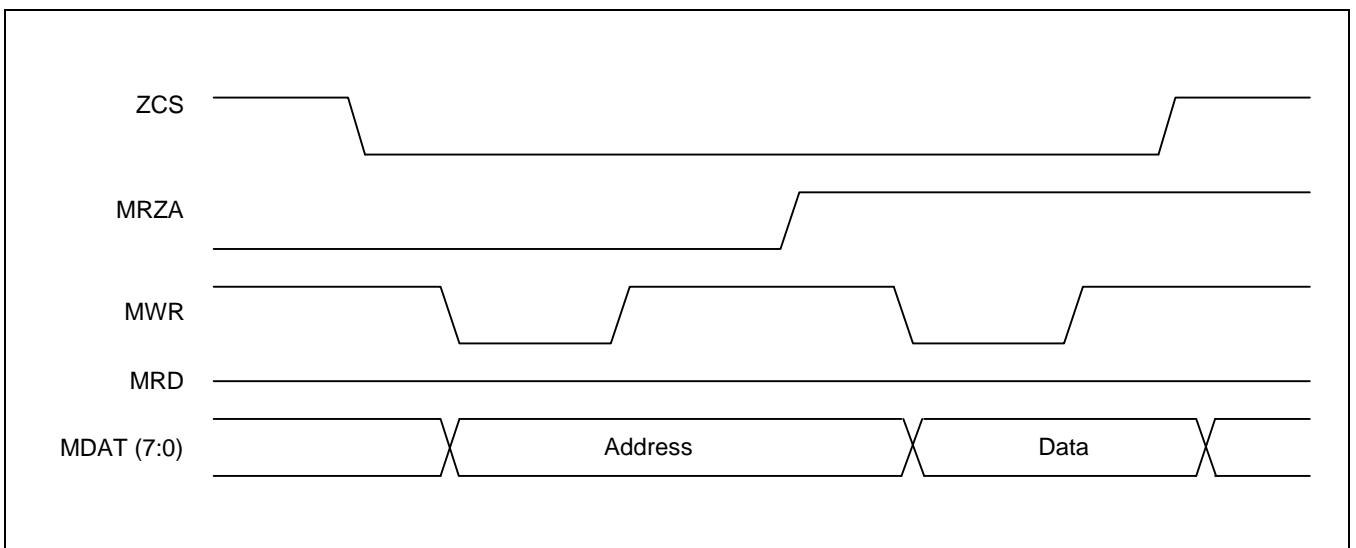
MICOM I/F

MICOM I/F TIMING

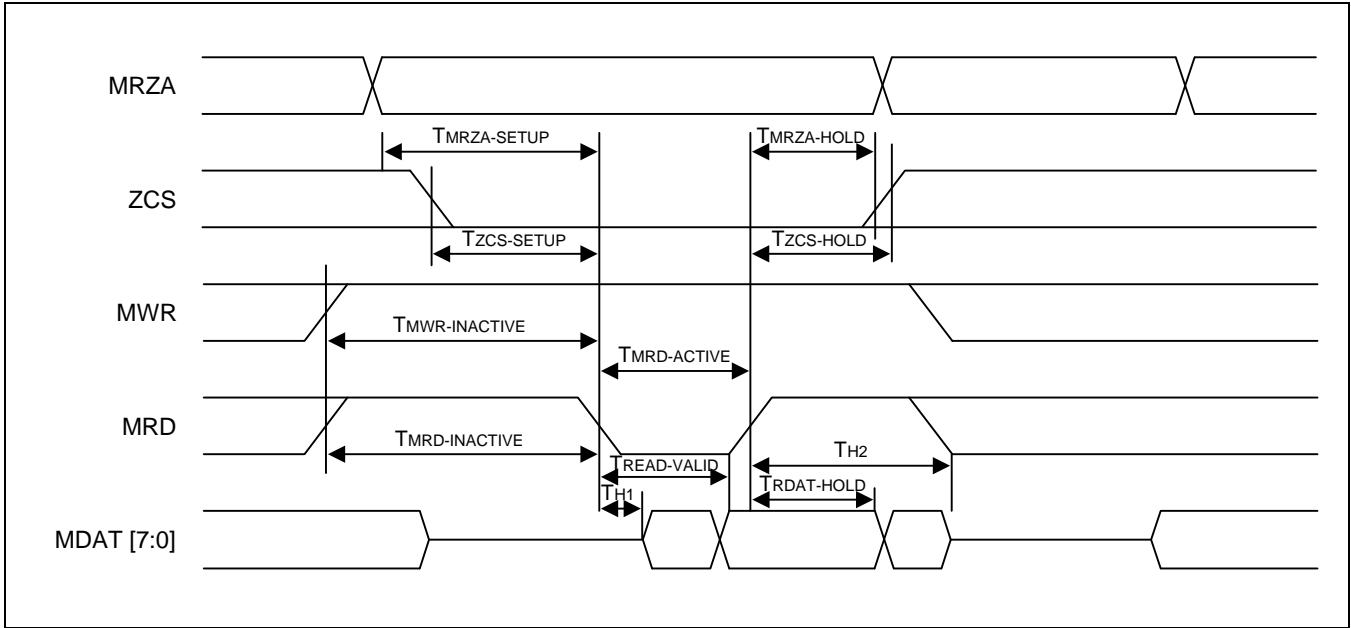
Read Cycle



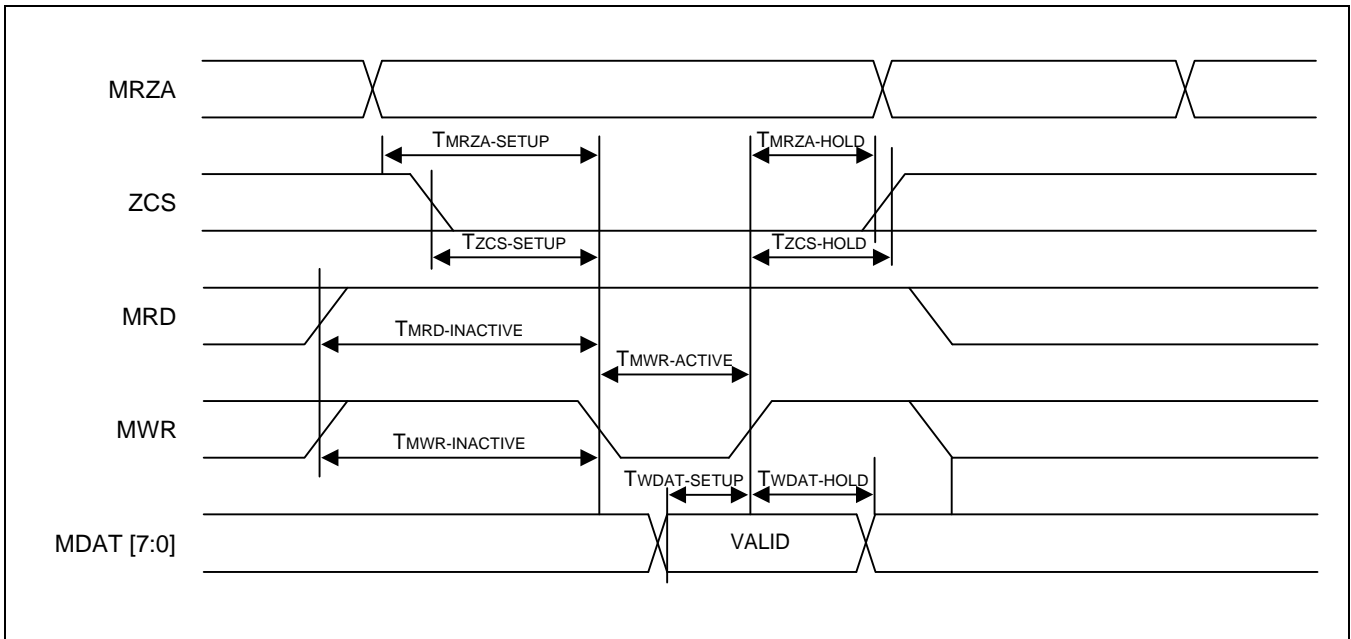
Write Cycle



Read Cycle Timing



Write Cycle Timing

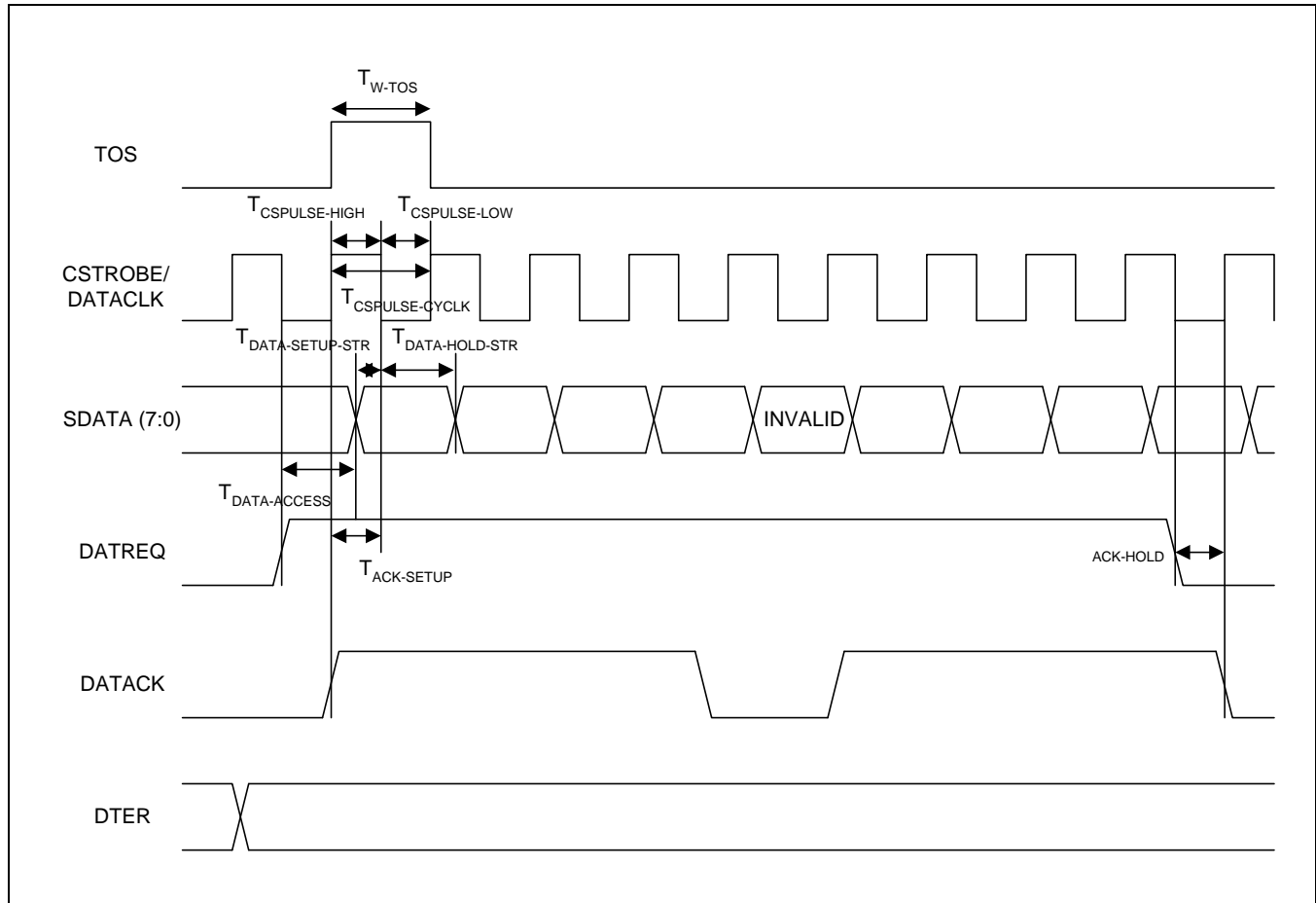


Time	Description	Min	Max	Unit
$T_{MRZA-SETUP}$	MRZA setup	0		ns
$T_{MRZA-HOLD}$	MRZA hold	10		ns
$T_{ZCS-SETUP}$	ZCS setup	10		ns
$T_{ZCS-HOLD}$	ZCS hold	10		ns
$T_{MWR-INACTIVE}$	MWR inactive	30		ns
$T_{MWR-ACTIVE}$	MWR active pulse width	30		ns
$T_{MRD-INACTIVE}$	MRD inactive	30		ns
$T_{MRD-ACTIVE}$	MRD active pulse width	120		ns
$T_{READ-VALID}$	MRD active to read data valid		60	ns
T_{H1}	MRD active to MDAT(7:0) OW-impedance	-		ns
T_{H2}	MRD inactive to MDAT(7:0) IGH-impedance	-	-	ns
$T_{RDAT-HOLD}$	Read data hold after MRD inactive	10		ns
$T_{WDAT-SETUP}$	Write data setup	20		ns
$T_{WDAT-HOLD}$	Write data hold	10		ns

There should be no glitches in signals MRZA, ZCS, MWR, and MRD.

AV DECODER I/F

Equal spacing timing transfer method (DVD-P I/F)



MODE1: 2048 bytes main data only → compared to MODE2, $T_{data-access}$ has a delay longer by 16bytes at the beginning of data transfer, but the overall data rate is the same.

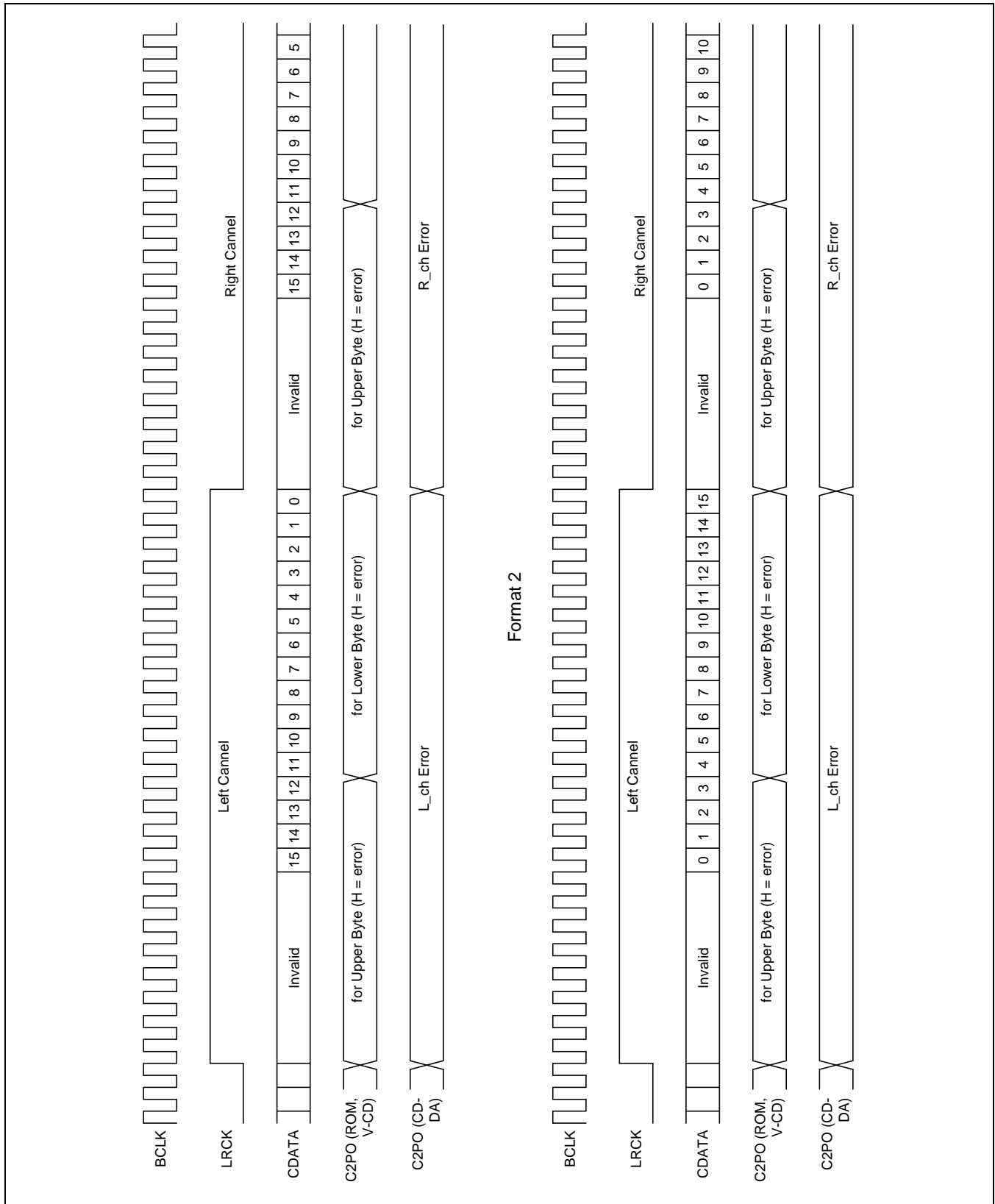
MODE2: 2064 bytes data in a sector
(4bytes ID + 2bytes IEC + 6bytes RSV + 2048bytes main data + 4bytes EDC)

- The DTER signal is output in units of sectors.
- Data is taken at CSTROBE/DATACLK'S falling edge (rising edge in reverse mode).
- CSTROBE/DATACLK'S duty cycle is not regular
- $T_{cspulse-high/low}$: 4T
- $T_{cspulse-cycle}$: 8T (240 ns)
- CSTROBE, DATREQ, DATAACK'S edge is programmable (reversible).

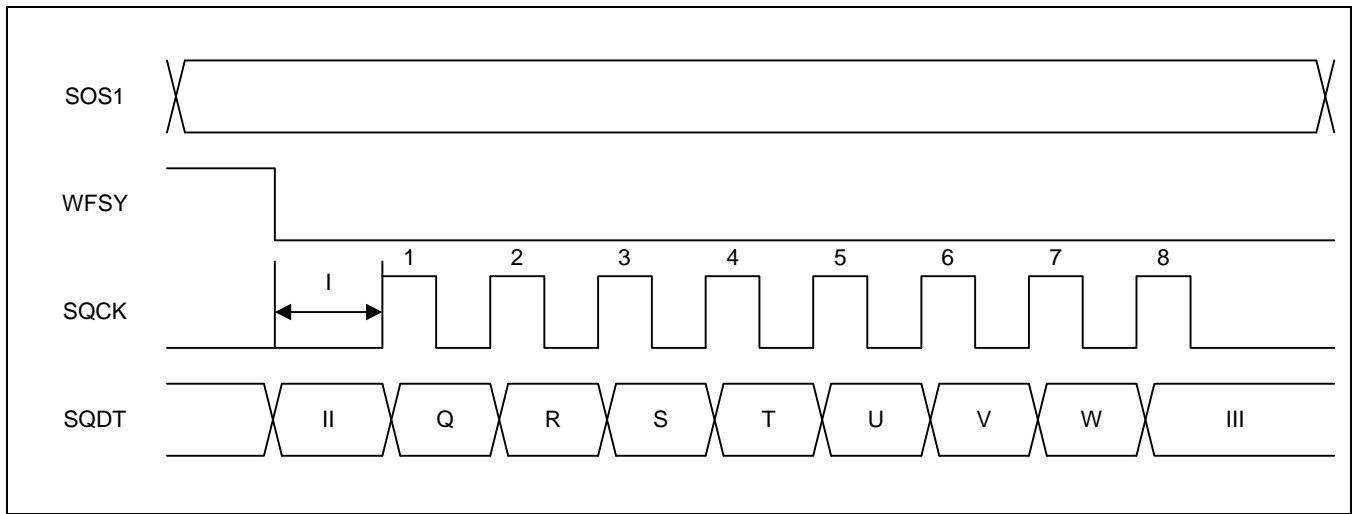
Timing Spec

Time	Description	Min	Max	Unit
$T_{\text{DATA-SETUP-STR}}$	SDATA(7:0) setup to cstroke asserted (synchronous)	5	4T	ns
$T_{\text{DATA-HOLD-STR}}$	SDATA(7:0) hold from cstroke asserted (synchronous)	5	4T	ns
T_{D}	Delay from datreq asserted to dataack (asynchronous)	0		ns
$T_{\text{ACK-LOW}}$	Dataack low time (asynchronous)	50		ns
$T_{\text{CSPULSE-CYCLE}}$	Dataack period	236		ns
$T_{\text{ACK-HOLD}}$	Dataack disabled time	12	4T	ns
$T_{\text{SDATA-D}}$	SDATA(7:0) delay from dataack falling		10	ns
$T_{\text{ACK-SETUP}}$	Dataack setup to cstroke (synchronous)	5		ns
$T_{\text{ACK-HOLD}}$	Dataack hold from cstroke (synchronous)	5		ns

CD-DA/ CD-ROM/ V-CD DATA OUTPUT TIMING (FORMAT 1, FORMAT 2)



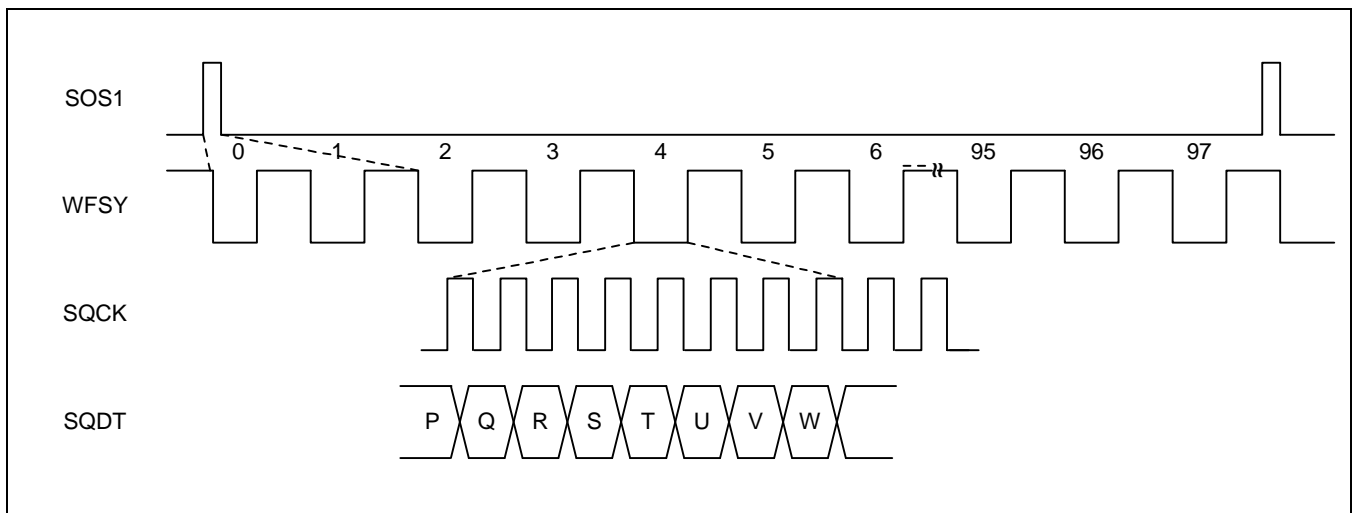
SUBCODE OUTPUT I/F (FOR CD-G)



I: After WFSY becomes falling edge, SQCK becomes 'L' at about 10 μ sec.

II: If S0S1 is 'L', subcode P is output, and if 'H', subcode sync S0 and S1 are output.

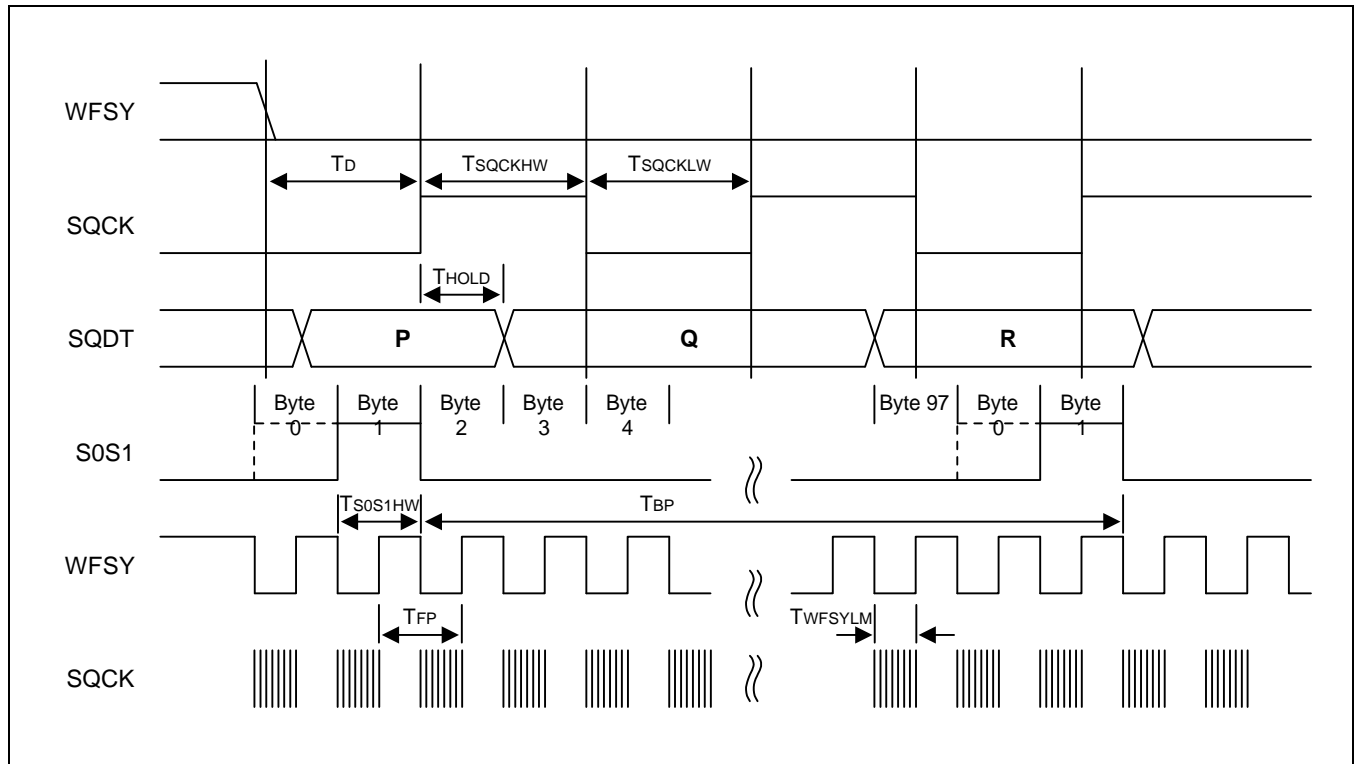
III: If pulses are input to the SQCK terminal over seven, subcode data (P, Q, R, S, T, U, V, W) are repeated.



1 subcode sync = 98 EFM FRAMEs (1 EFM FRAME = 7.35kHz, 1 subcode sync = 75Hz)

98 EFM FRAMEs = 2bytes for subcode sync (S0, S1) + 96bytes for subcode data

96bytes subcode data = 1(P) bit \times 96 + 1(Q) bit \times 80 + 16bits (CRC for EDC) for CDP + 6(R - W) bits \times 96 for CDG



Time	Description	Min	Typ	Max	Unit
T_D	Delay time from WFSY low to SQCK high edge for "P" subcode bit (SQCK input)	1	-	-	us
T_{SQCKHW}	SQCK (input) high pulse width	1	-	3	us
T_{SQCKLW}	SQCK (input) low pulse width	1	-	3	us
T_{HOLD}	SQDT hold time from SQCK high	0	-	-	ns
T_{S0S1HW}	S0S1 high pulse width	-	136	-	us
T_{BP}	Block period	-	13	-	ms
T_{FP}	Frame period	-	136	-	us
T_{WFSYLM}	WFSY low pulse width	-	68	-	us

SQDT read should be completed when WFSY is low (T_{WFSYLM}).

6 MISCELLANEOUS

EXTERNAL DRAM MEMORY MAP

ECC 13 block can be stored using 4M DRAM, and can carry out the following: EFM+demodulation 1 block, ECC 1 block, descramble 1 block, and TRANS 1 block.

: Memory mapping (512 x 512 x 16) for DVDP.

1 sector standard: ID(4), IEC(2), RSV(6), DPDATA(2048), EDC(4), PI(120), PO(182)

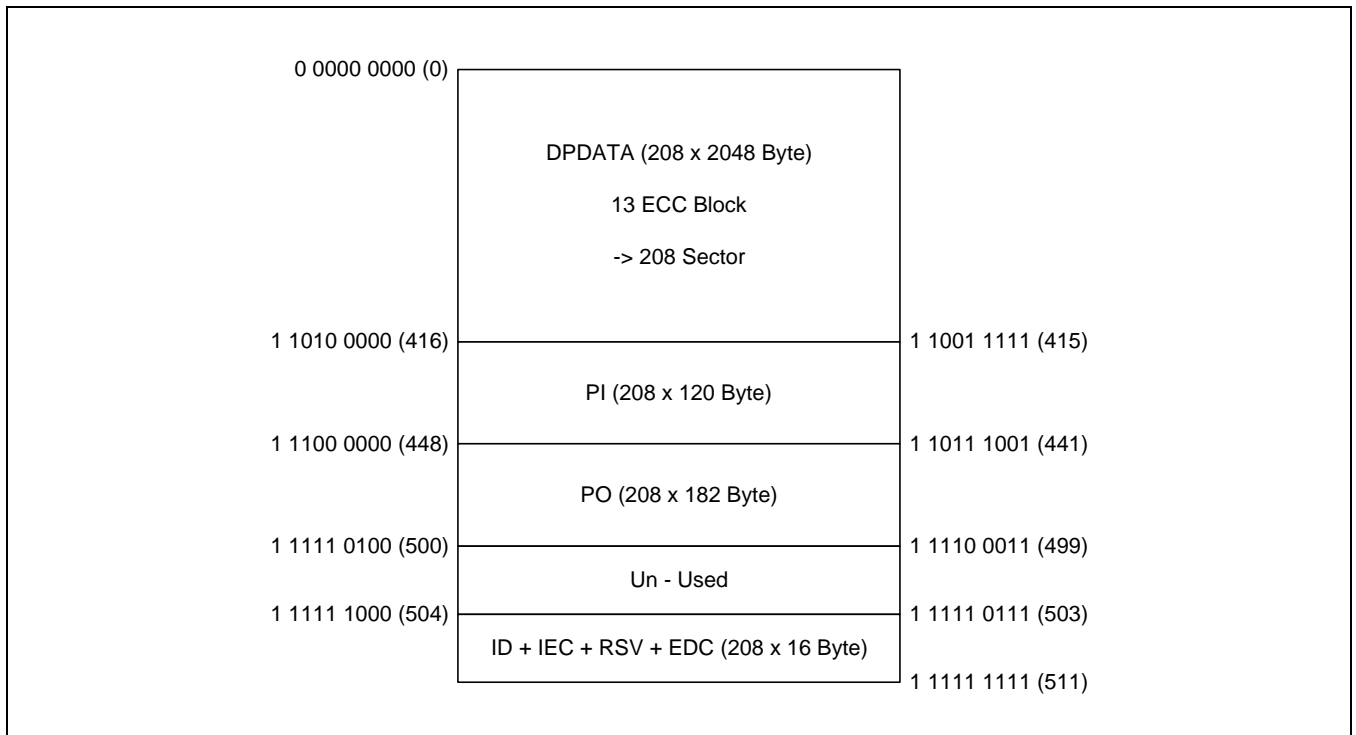


Figure 7. External DRAM Memory Map

MEMORY MAPPING DEFINITION BY SECTOR

PI: 128byte per sector.

- 1 row address increases per 8 sectors.

PO: 256byte per sector.

- 1 row address increases per 4 sectors.

ID, IEC, RSV, EDC: 32bytes per sector.

- 1 row address increases per 32 sectors.

ADDRESS MAPPING

Data Mapping

ECC Block Number	ID Sector Number	Row Address									Column Address								
0	0	0	0	0	0	0	0	0	0	x	x	x	x	x	x	x	x	x	x
	1	0	0	0	0	0	0	0	1	x	x	x	x	x	x	x	x	x	x
								
	15	0	0	0	0	1	1	1	1	x	x	x	x	x	x	x	x	x	x
1	0 - 15	0	0	0	1	x	x	x	x	x	x	x	x	x	x	x	x	x	x
2	0 - 15	0	0	1	0	x	x	x	x	x	x	x	x	x	x	x	x	x	x
...								
12	0	1	1	0	0	0	0	0	0	x	x	x	x	x	x	x	x	x	x
								
	15	1	1	0	0	1	1	1	1	x	x	x	x	x	x	x	x	x	x

PI Mapping

ECC Block Number	ID Sector Number	Row Address									Column Address								
0	0	1	1	0	1	0	0	0	0	0	0	0	0	x	x	x	x	x	x
	1	1	1	0	1	0	0	0	0	0	0	0	1	x	x	x	x	x	x
								
	15	1	1	0	1	0	0	0	0	1	1	1	1	x	x	x	x	x	x
1	0 - 15	1	1	0	1	0	0	0	1	x	x	x	x	x	x	x	x	x	x
2	0 - 15	1	1	0	1	0	0	1	0	x	x	x	x	x	x	x	x	x	x
...								
12	0	1	1	0	1	1	1	0	0	0	0	0	0	x	x	x	x	x	x
								
	15	1	1	0	1	1	1	0	0	1	1	1	1	x	x	x	x	x	x

PO Mapping

ECC Block Number	ID Sector Number	Row Address										Column Address								
		1	1	1	0	0	0	0	0	0	0	0	0	x	x	x	x	x	x	x
0	0	1	1	1	0	0	0	0	0	0	0	0	x	x	x	x	x	x	x	x
	1	1	1	1	0	0	0	0	0	0	0	1	x	x	x	x	x	x	x	x
								
	15	1	1	1	0	0	0	0	1	1	1	1	x	x	x	x	x	x	x	x
1	0 - 15	1	1	1	0	0	0	1	x	x	x	x	x	x	x	x	x	x	x	x
2	0 - 15	1	1	1	0	0	1	0	x	x	x	x	x	x	x	x	x	x	x	x
...								
12	0	1	1	1	1	1	0	0	0	0	0	0	x	x	x	x	x	x	x	x
								
	15	1	1	1	1	1	0	0	1	1	1	1	x	x	x	x	x	x	x	x

ID(4) + IEC(2) + RSV(6) + EDC(4)

ECC Block Number	ID Sector Number	Row Address										Column Address							
		1	1	1	1	1	1	0	0	0	0	0	0	0	0	0	x	x	x
0	0	1	1	1	1	1	1	0	0	0	0	0	0	0	0	x	x	x	x
	1	1	1	1	1	1	1	0	0	0	0	0	0	0	1	x	x	x	x
							
	15	1	1	1	1	1	1	0	0	0	0	1	1	1	1	x	x	x	x
1	0 - 15	1	1	1	1	1	1	0	0	0	1	x	x	x	x	x	x	x	x
2	0 - 15	1	1	1	1	1	1	0	0	1	0	x	x	x	x	x	x	x	x
...							
12	0	1	1	1	1	1	1	1	1	0	0	0	0	0	0	x	x	x	x
							
	15	1	1	1	1	1	1	1	1	0	0	1	1	1	1	x	x	x	x

Lower 4bits is mapped by sectors

→ ID: '0000"- '0001", IEC: '0010", RSV: '0011"- '0110", EDC: "1000"- "1001"

CIRCUIT APPLICATION

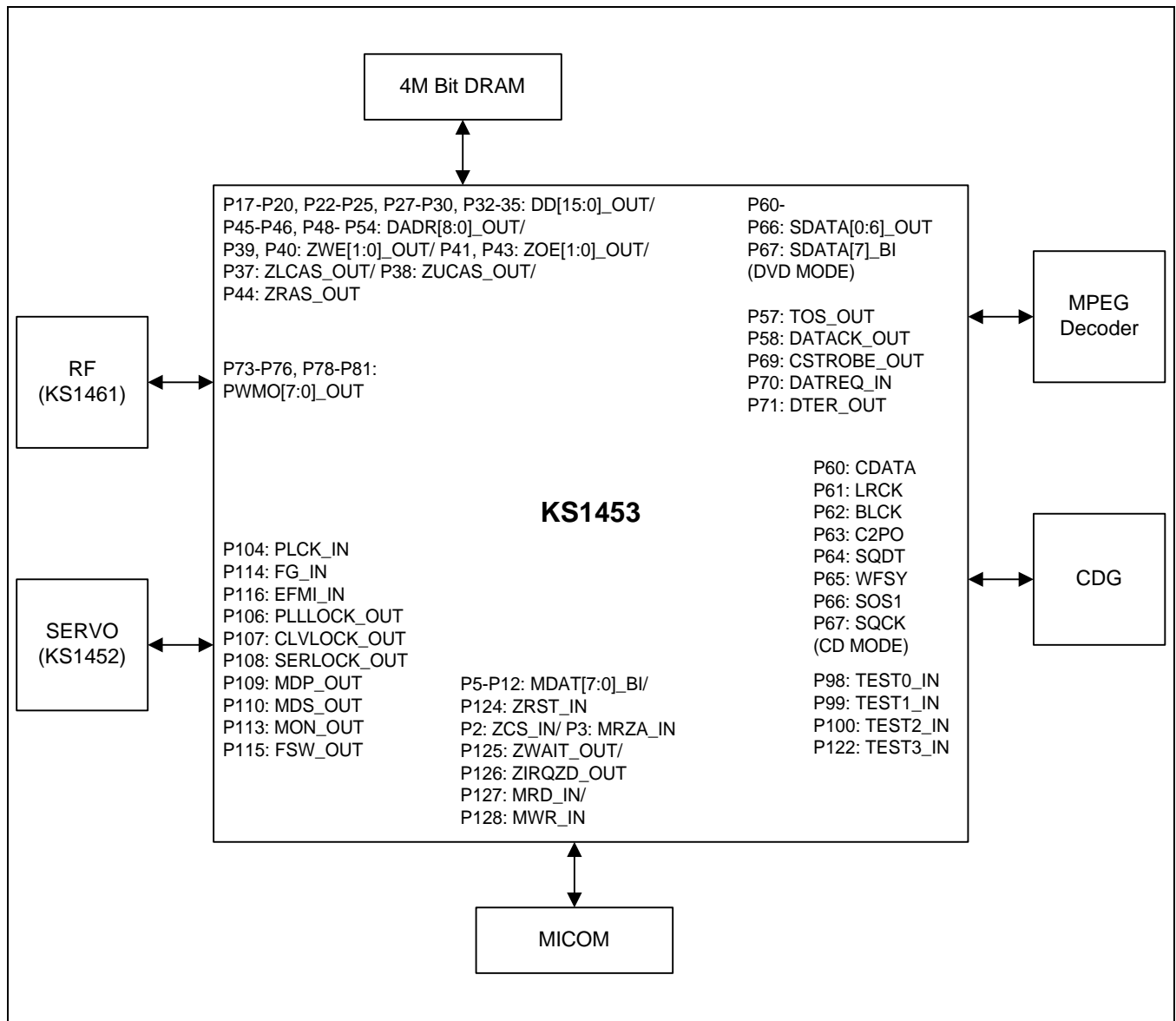


Figure 8. Circuit Application

PACKAGE DIMENSIONS

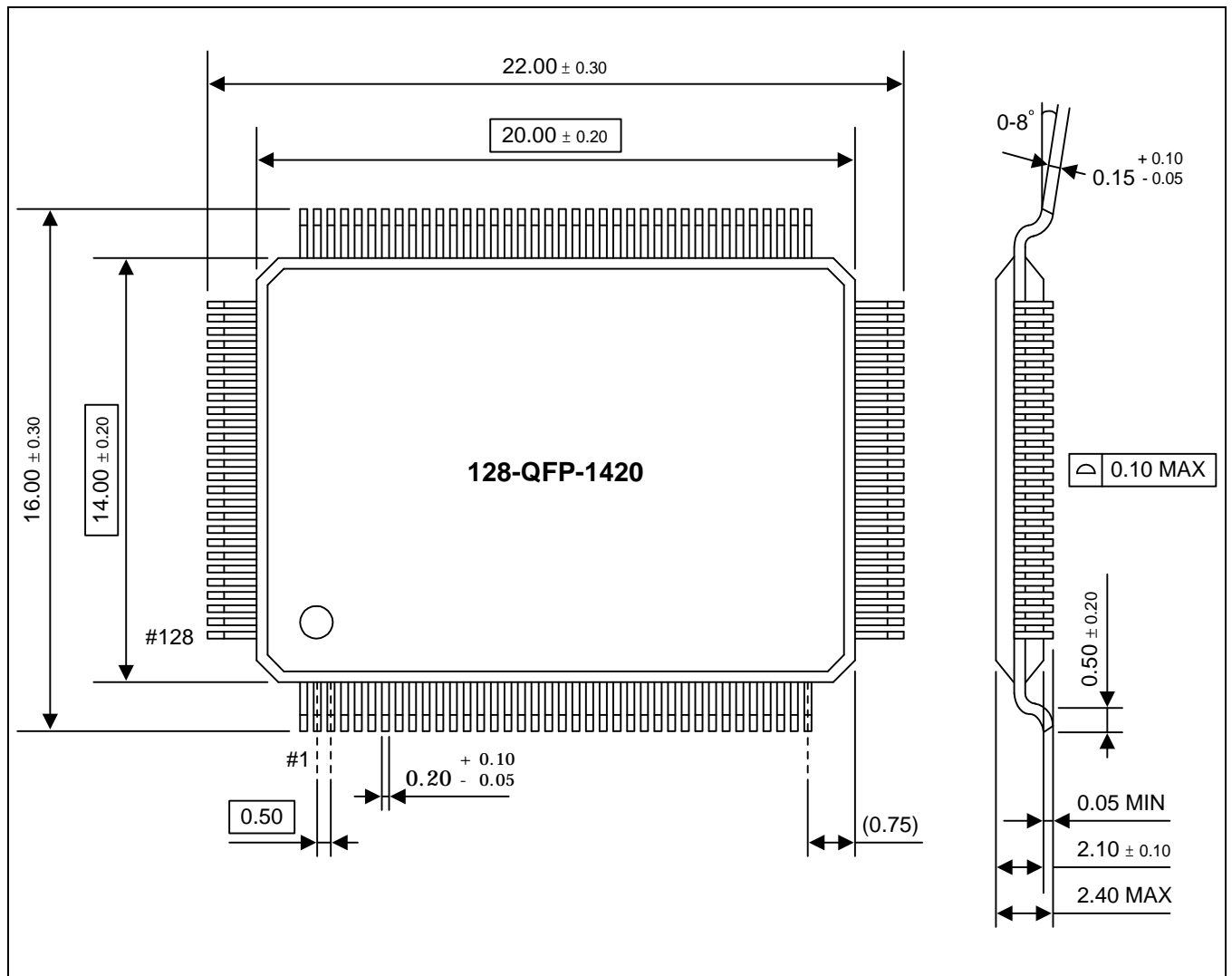


Figure 9. Package Dimensions