



FILTER2D-C3-SK ANTI-INTERFERENCE FILTER

Patent Protection RoHS

FEATURES

- Small Footprint
- Low Temperature Rise

APPLICATIONS

FILTER2D-C3-SK applies to analog circuits which are noise-sensitive or EMC-sensitive occasions. If added a FILTER2D-C3-SK to the module's input, the module's output noise can be reduced substantially and EMC level can be improved.

SELECTION GUIDE

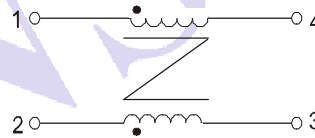
Model	Inductance value (mH)	Rated current (A)(max)	DCR(mΩ)	Weight (g)
FILTER2D-C3-SK	5.3*2	3	180	15

COMMON SPECIFICATIONS

Item	Operating Conditions	Min.	Typ.	Max.	Unit
Inductance Error Range	$f_0=10\text{KHz}, U_0=0.1\text{V}$	-35	--	+35	%
Pressure Resistance Value	Leakage Current $I_0=5\text{mA}$	--	--	2000	VDC
Storage Humidity		--	--	95	%
Operating Temperature		-40	--	105	°C
Storage Temperature		-55	--	125	
Soldering Temperature Resistance Of PIN	Solder Joints From Case 1.5mm for 10 seconds	--	--	300	
Dimension (L*W*H)		27.5*19.5*33.0			mm

Note: All specifications measured at TA=25°C, humidity<75% unless otherwise specified.

INTERNAL SCHEMATIC



MORNSUN Science & Technology Co.,Ltd.

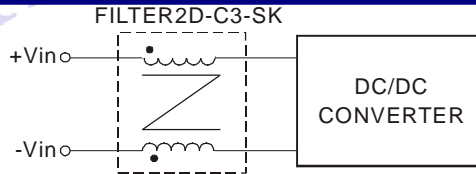
Address: No. 5, Kehui St. 1, Kehui development center, Science Ave., Guangzhou Science City, Luogang district, Guangzhou, P.R.China.

Tel: 86-20-28203030

Fax: 86-20-38601272

[Http://www.mornsun-power.com](http://www.mornsun-power.com)

APPLICATION CIRCUIT



IMPEDANCE CHARACTERISTICS (REFERENCE VALUE)

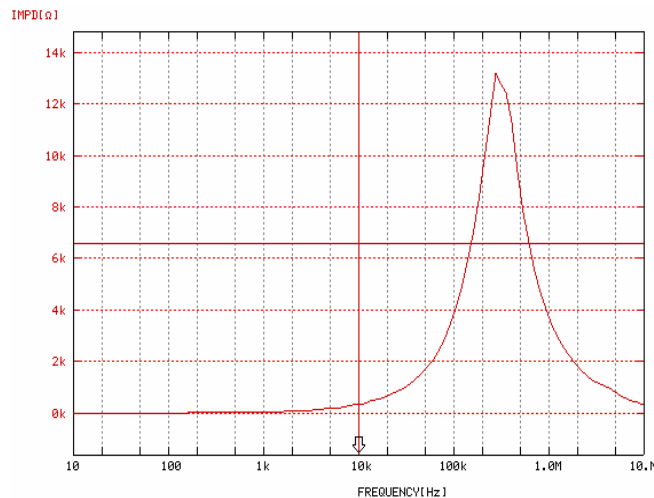
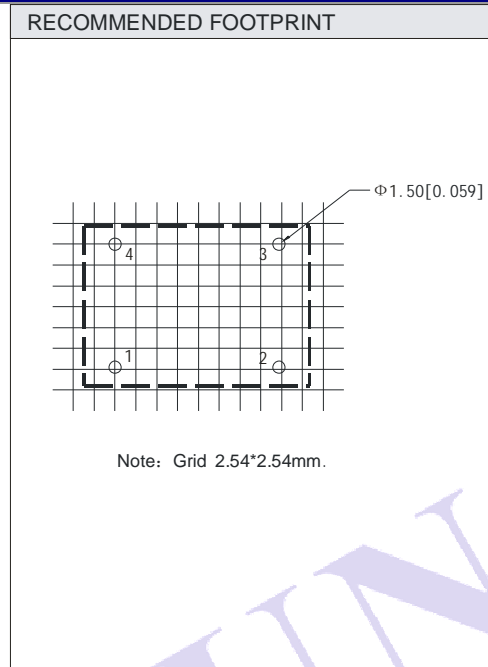
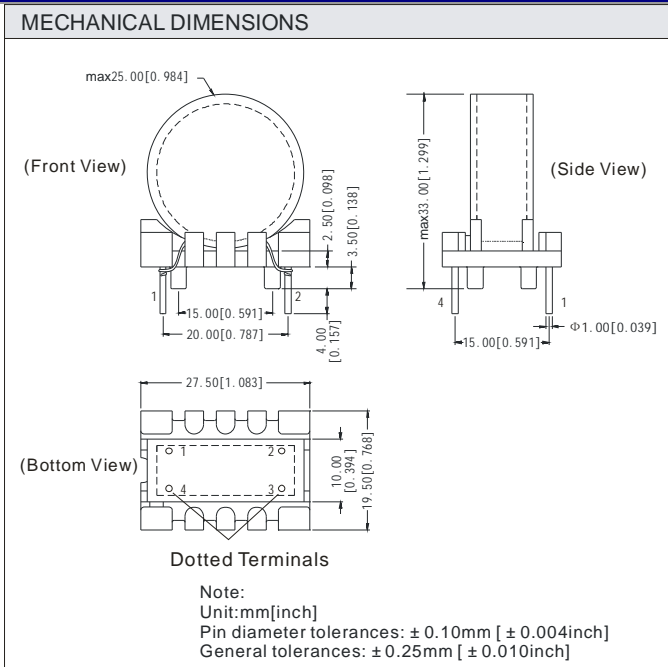


Figure 1 Impedance VS Frequency

OUTLINE DIMENSIONS



MORNSUN