

MODEL	DESCRIPTION	WIRING	1-9	10-24	25-99
-------	-------------	--------	-----	-------	-------

**Modular TEE Adaptors - A Most Practical Way to Tap Into Your Wiring Networks**

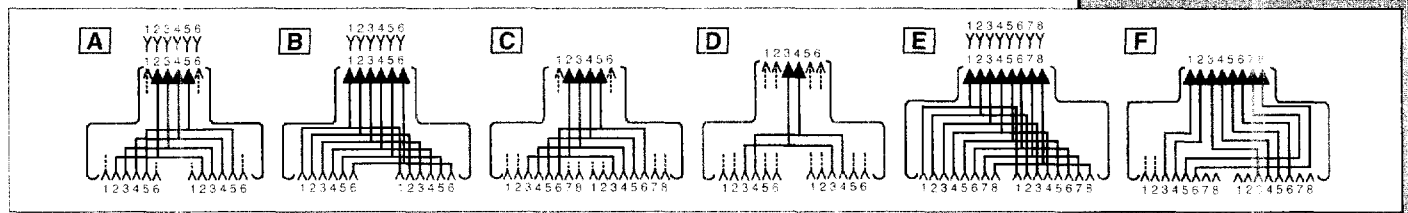
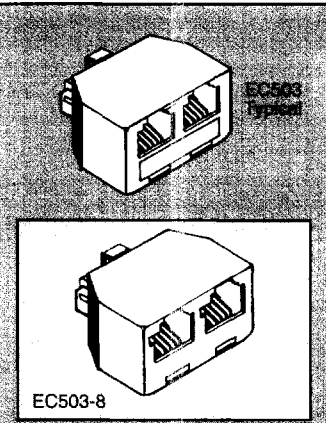
Below is a selection of Modular TEEs from which to choose. All units listed have either 2, 3 or 4 RJ jacks mating to a male or female and wired as shown in the diagrams below. Useful in daisy chain wiring, parallel phones or answering machines. It also makes a great test jack.

**Modular TEE Adaptors - Plug Into RJ11 or RJ12 Receptacle, with 2 Similar Jacks**

EC503-4	TEE Adaptor (6x4)M to (6x4)F, (6x4)F	A	3.25	2.99	2.73
EC503-6E	TEE Adaptor (6x6)M to (6x6)F, (6x6)F	B	3.45	3.17	2.90
EC503-338	TEE Adaptor (6x4)M to (8x4)F, (8x4)F	C	3.45	3.17	2.90
EC503-224	TEE Adaptor (6x2)M to (6x2)F, (6x2)F	D	3.45	3.17	2.90

**Modular TEE Adaptors - Plug Into an RJ45 Receptacle, with Two Female Jacks**

EC503-8	TEE Adaptor (8x8)M to (8x8)KF, (8x8)KF	E	4.25	3.91	3.57
EC503-448	TEE Splitter (8x8)M to (8x4)KF, (8x4)KF	F	4.25	3.91	3.57
EC503-844	TEE Splitter (8x6)M to (6x4)F, (6x4)F	G	4.25	3.91	3.57



**Modular TEE Splitter - Allows Dual Telco Line to Separate into Two RJ11 Jacks**

EC503-1703	TEE Splitter (6x4)M to (6x2)F, (6x2)F	H	4.25	3.91	3.57
------------	---------------------------------------	---	------	------	------

**Modular Splitter Adaptor - Allows Three RJ11/12 Circuits to be Parallel Connected**

EC503-2134	1 to 3 Adaptor (6x4)M to 3 (6x4)F	J	4.25	3.91	3.57
EC503-2136	1 to 3 Adaptor (6x6)M to 3 (6x6)F	J	4.75	4.37	3.99

**Modular TEE Junction - Three RJ12 or RJ45 Receptacles Accept Three Plugs**

TDS1039-4C	TEE Junction (6x4)F to (6x4)F, (6x4)F	A	3.55	3.27	2.98
TDS1039-6C	TEE Junction (6x6)F to (6x6)F, (6x6)F	B	4.25	3.91	3.57
TDS1039-8C	TEE Junction (8x8)F to (8x8)F, (8x8)F	E	4.95	4.55	4.16

**Socket Saver Adaptors - Extend the Life of Frequently Used Modular Jacks**

Avoid costly repairs trying to replace modular jacks. Particularly useful with cable testers where jacks are in constant use. A small price to pay to assure maximum performance for the life of your equipment. Also available is the EC535D-10X 10Base-T Crossover Adaptor. Attach this in series with any 10Base-T compatible patch cord and the 1-2 pair crosses to the 3-6 pair. This wiring is often necessary for stacking Ethernet hubs.

EC535AD	Conversion Adaptor (6x6)M to (8x6)F	K	3.25	2.99	2.73
EC535A	Socket Saver (6x6)M to (6x6)F	L	3.25	2.99	2.73
EC535D	Socket Saver (8x8)M to (8x8)KF	M	3.45	3.17	2.90
EC535D-10X	10Base-T Crossover Adaptor (8x8)M to (8x8)F	N	3.45	3.17	2.90

**Modular Insert Adaptor - Converts Any RJ11/12 Jack to Accept Handset Cables**

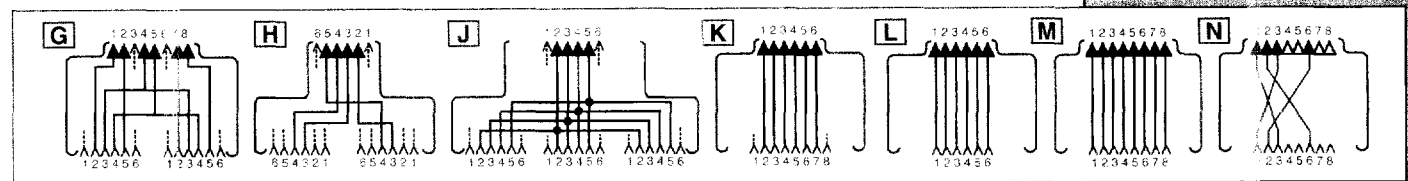
A handy interfit adaptor for use on notebook's modem cords having Handset 4x4 plug to allow a perfect fit into a standard RJ11 telephone jack.

EC4X4A	Modular Insert Adaptor. Bag of 10		2.25	2.07	1.89
--------	-----------------------------------	--	------	------	------

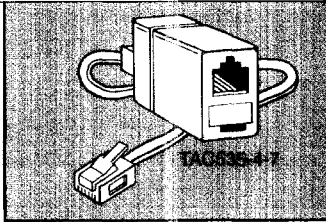
**Telephone and Data 7 Ft Extension Cords - With Male and Female Modular Connectors**

TAC535-4-7	7 Ft Data Extension Cord, Straight Wired, (6x4)		3.65	3.36	3.07
TAC535-6-7	7 Ft Data Extension Cord, Straight Wired, (6x6)	L	3.90	3.59	3.28
TAC535-8-7	7 Ft Data Extension Cord, Straight Wired, (8x8)	M	4.15	3.82	3.49

Notice: This series also available as Cross Wired. Custom wiring schemes considered



**NOTE:**  
L-com solicits requests for custom TAC535 Series extension or adaptor cables.



Order Toll Free: 800-343-1455  
 Web: <http://www.L-com.com>  
 8am - 6pm EASTERN STANDARD TIME

**L-com**  
 N. ANDOVER, MA 01845

24 Hour Fax Service: 978-689-9484  
 E-mail: [sales@L-com.com](mailto:sales@L-com.com)  
 PRICES AND SPECIFICATIONS SUBJECT TO CHANGE.