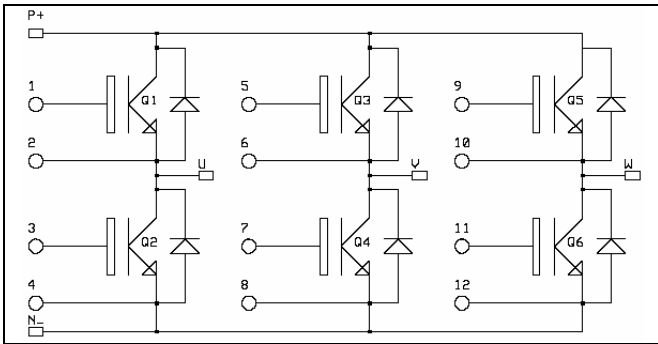
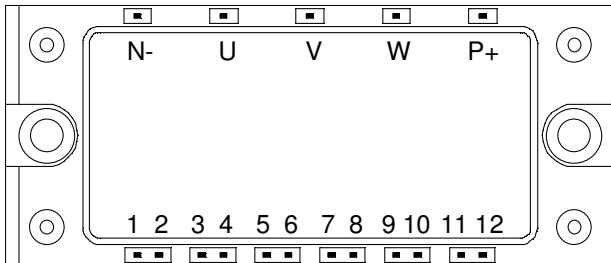


**3 Phase bridge
NPT IGBT Power Module**

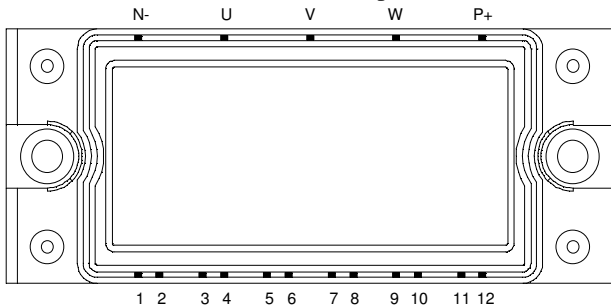
**$V_{CES} = 1200V$
 $I_C = 50A @ T_c = 80^\circ C$**



Pin out: APTGF50X120E2 (Long pins)



Pin out: APTGF50X120P2 (Short pins)



Application

- AC Motor control

Features

- Non Punch Through (NPT) IGBT®
 - Low voltage drop
 - Low tail current
 - Switching frequency up to 20 kHz
 - Soft recovery parallel diodes
 - Low diode VF
 - Low leakage current
 - Avalanche energy rated
 - RBSOA and SCSOA rated
- Kelvin emitter for easy drive
- Very low stray inductance
- High level of integration

Benefits

- Stable temperature behavior
- Very rugged
- Solderable terminals for easy PCB mounting
- Direct mounting to heatsink (isolated package)
- Low junction to case thermal resistance
- Easy paralleling due to positive TC of VCEsat
- Low profile

All ratings @ $T_j = 25^\circ C$ unless otherwise specified

Absolute maximum ratings

Symbol	Parameter	Max ratings	Unit
V_{CES}	Collector - Emitter Breakdown Voltage	1200	V
I_C	Continuous Collector Current	$T_C = 25^\circ C$	72
		$T_C = 80^\circ C$	50
I_{CM}	Pulsed Collector Current	$T_C = 25^\circ C$	140
V_{GE}	Gate - Emitter Voltage	± 20	V
P_D	Maximum Power Dissipation	$T_C = 25^\circ C$	350
SCSOA	Short Circuit Safe Operating Area	$T_j = 125^\circ C$	500A@1200V

CAUTION: These Devices are sensitive to Electrostatic Discharge. Proper Handling Procedures Should Be Followed.

Electrical Characteristics

<i>Symbol</i>	<i>Characteristic</i>	<i>Test Conditions</i>	<i>Min</i>	<i>Typ</i>	<i>Max</i>	<i>Unit</i>
BV_{CES}	Collector - Emitter Breakdown Voltage	$V_{GE} = 0V, I_C = 500\mu A$	1200			V
I_{CES}	Zero Gate Voltage Collector Current	$V_{GE} = 0V$ $V_{CE} = 1200V$	$T_j = 25^\circ C$	0.8	1	mA
			$T_j = 125^\circ C$	4		
$V_{CE(on)}$	Collector Emitter on Voltage	$V_{GE} = 15V$ $I_C = 50A$	$T_j = 25^\circ C$	2.5	3.0	V
			$T_j = 125^\circ C$	3.1	3.7	
$V_{GE(th)}$	Gate Threshold Voltage	$V_{GE} = V_{CE}, I_C = 2 mA$	4.5	5.5	6.5	V
I_{GES}	Gate - Emitter Leakage Current	$V_{GE} = 20V, V_{CE} = 0V$			200	nA

Dynamic Characteristics

<i>Symbol</i>	<i>Characteristic</i>	<i>Test Conditions</i>	<i>Min</i>	<i>Typ</i>	<i>Max</i>	<i>Unit</i>
C_{ies}	Input Capacitance	$V_{GE} = 0V$ $V_{CE} = 25V$ $f = 1MHz$		3300		pF
C_{oes}	Output Capacitance			500		
C_{res}	Reverse Transfer Capacitance			220		
$T_{d(on)}$	Turn-on Delay Time	Inductive Switching ($125^\circ C$) $V_{GE} = \pm 15V$ $V_{Bus} = 600V$ $I_C = 50A$ $R_G = 22\Omega$		44	100	ns
T_r	Rise Time			56	100	
$T_{d(off)}$	Turn-off Delay Time			380	500	
T_f	Fall Time			70	100	

Reverse diode ratings and characteristics

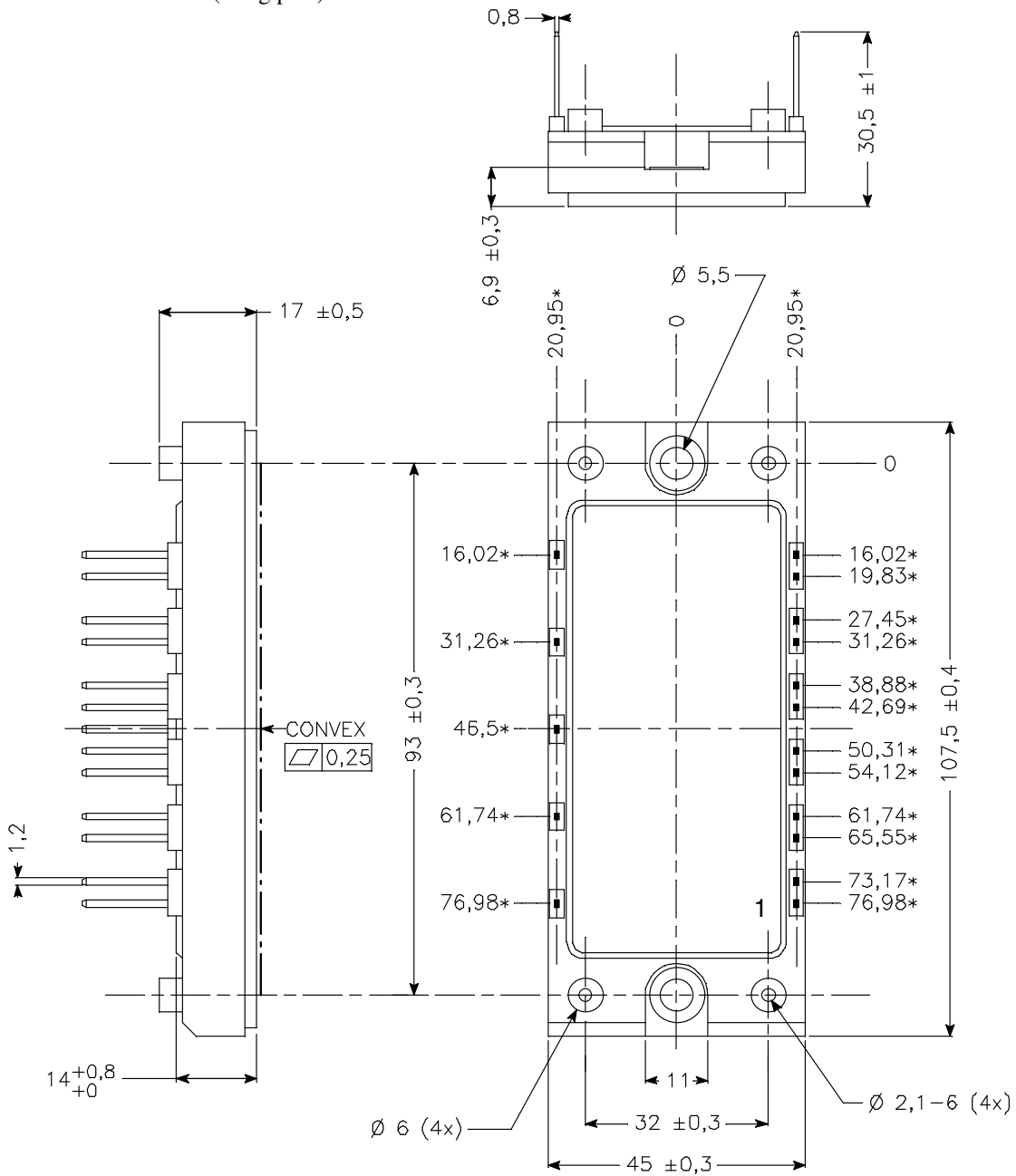
<i>Symbol</i>	<i>Characteristic</i>	<i>Test Conditions</i>	<i>Min</i>	<i>Typ</i>	<i>Max</i>	<i>Unit</i>
V_F	Diode Forward Voltage	$I_F = 50A$ $V_{GE} = 0V$	$T_j = 25^\circ C$	2.3	2.8	V
			$T_j = 125^\circ C$	1.8		
t_{rr}	Reverse Recovery Time	$I_F = 50A$ $V_R = 600V$ $di/dt = 800A/\mu s$	$T_j = 125^\circ C$	0.2		μs
Q_{rr}	Reverse Recovery Charge	$I_F = 50A$ $V_R = 600V$ $di/dt = 800A/\mu s$	$T_j = 25^\circ C$	2.8		μC
			$T_j = 125^\circ C$	8		

Thermal and package characteristics

<i>Symbol</i>	<i>Characteristic</i>	<i>Min</i>	<i>Typ</i>	<i>Max</i>	<i>Unit</i>	
R_{thJC}	Junction to Case	IGBT		0.35	$^\circ C/W$	
		Diode		0.7		
V_{ISOL}	RMS Isolation Voltage, any terminal to case $t = 1 min$, $I_{isol} < 1mA, 50/60Hz$	2500			V	
T_J	Operating junction temperature range	-40		150	$^\circ C$	
T_{STG}	Storage Temperature Range	-40		125		
T_C	Operating Case Temperature	-40		125		
Torque	Mounting torque	To Heatsink	M5	2	3.5	N.m
Wt	Package Weight				185	g

Package outline

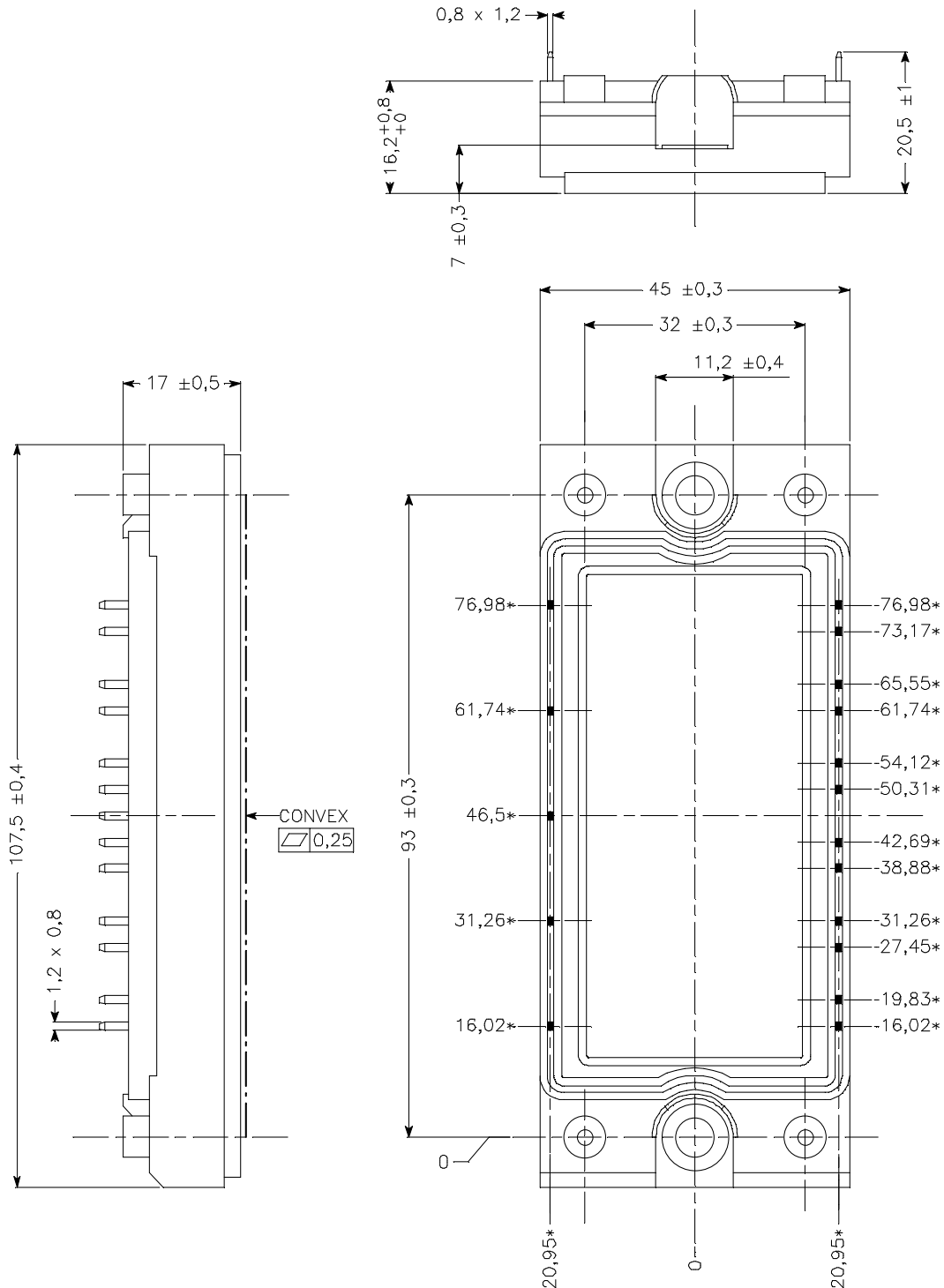
Pin out: APTGF50X120E2 (Long pins)



ALL DIMENSIONS MARKED "*" ARE TOLERENCED AS : $\varnothing \pm 0,4$

Package outline

Pin out: APTGF50X120P2 (Short pins)



ALL DIMENSIONS MARKED "*" ARE TOLERENCED AS : $\oplus \ominus \varnothing 0,4$

APT reserves the right to change, without notice, the specifications and information contained herein

APT's products are covered by one or more of U.S patents 4,895,810 5,045,903 5,089,434 5,182,234 5,019,522 5,262,336 6,503,786 5,256,583 4,748,103 5,283,202 5,231,474 5,434,095 5,528,058 and foreign patents. U.S and Foreign patents pending. All Rights Reserved.