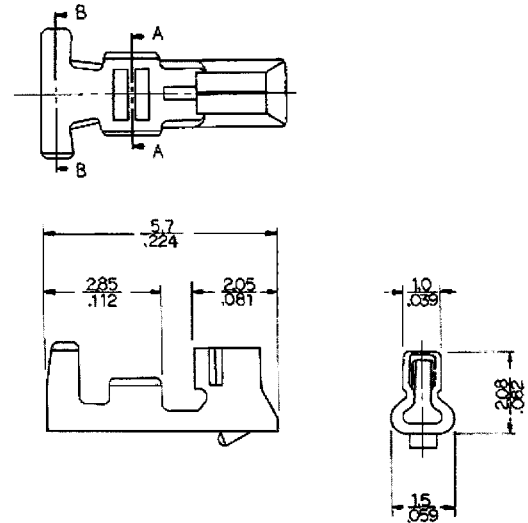
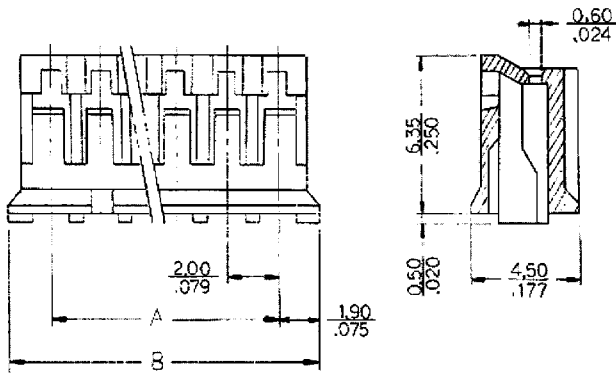
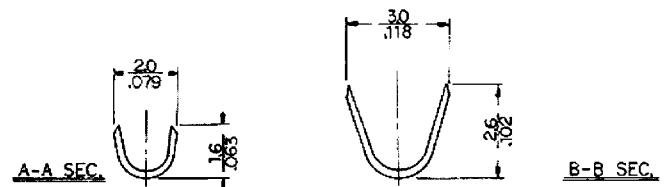


Wire-to-board connectors 2.0 mm Housings, Crimp terminals



Part no.	No. of contacts	Dimensions (mm/inch)	
		A	B
A-CS 200-2	2	2.00 / 0.079	5.80 / 0.228
A-CS 200-3	3	4.00 / 0.157	7.80 / 0.315
A-CS 200-4	4	6.00 / 0.236	9.80 / 0.394
A-CS 200-5	5	8.00 / 0.315	11.80 / 0.472
A-CS 200-6	6	10.00 / 0.394	13.80 / 0.551
A-CS 200-7	7	12.00 / 0.472	15.80 / 0.630
A-CS 200-8	8	14.00 / 0.551	17.80 / 0.709
A-CS 200-9	9	16.00 / 0.630	19.80 / 0.787
A-CS 200-10	10	18.00 / 0.709	21.80 / 0.866
A-CS 200-11	11	20.00 / 0.787	23.80 / 0.945
A-CS 200-12	12	22.00 / 0.866	25.80 / 1.024
A-CS 200-13	13	24.00 / 0.945	27.80 / 1.102
A-CS 200-14	14	26.00 / 1.024	29.80 / 1.181
A-CS 200-15	15	28.00 / 1.102	31.80 / 1.260



Part no.	Wire gauge	Insulation diameter	Reel QTY
A-CC 200-10K	AWG 22 — AWG 28	Ø 1.7 max. [0.067]	10,000 pcs.
A-CC 200-500	AWG 22 — AWG 28	Ø 1.7 max. [0.067]	500 pcs.

Material
Copper alloy, tin plated

Technical data

Rated Voltage:	100 V AC, DC
Rated Current:	1 A
Withstand Voltage:	800 V AC/min.
Insulation Resistance:	1,000 M Ω/min.
Temperature Range:	-25°C - +95°C
Applicable P.C.B. Thickness:	0.8 mm - 1.6 mm
Applicable P.c.B. Hole dia.:	Ø 0.8 mm ± 0.05
Applicable Wire:	AWG 22 — AWG 28
Plastic material:	Nylon 6.6 (UL 94 V-O)