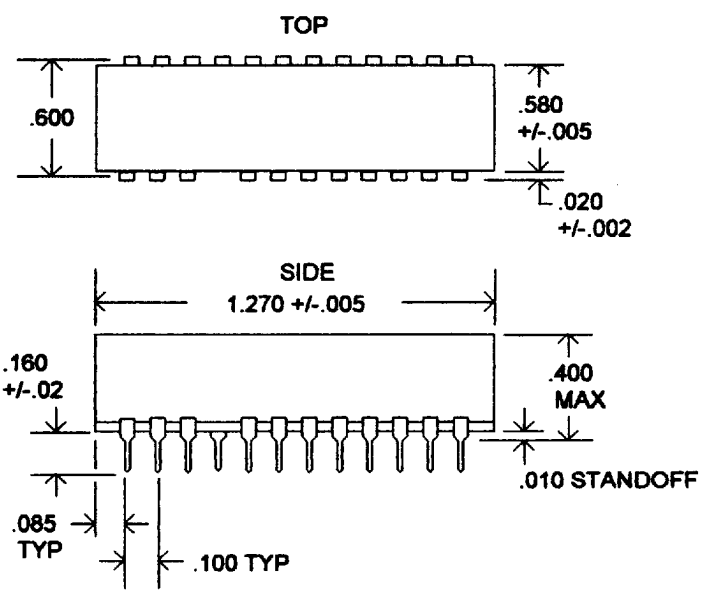
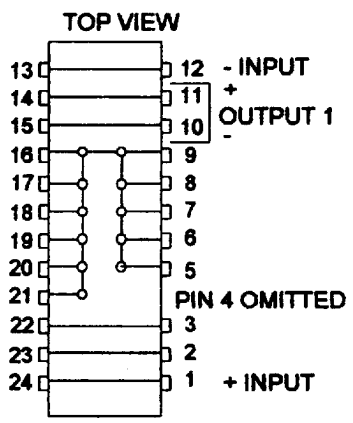


**DC/DC CONVERTER  
LOCAL AREA NETWORKS**

**FEATURES:**

- IEEE 802.3 STANDARDS
- INPUT FILTER
- PCB MOUNTABLE
- 24 PIN IC PACKAGE
- THERMALLY CONDUCTIVE ENCAPSULANT
- 100% BURN-IN AND TESTED
- MTBF > 400,000 HOURS
- DESIGNED TO MEET FCC SEC 15, SUBPART J, A & B.



**ELECTRICAL SPECIFICATIONS**

OUTPUT VOLTAGE	-9.0 VDC
OUTPUT VOLTAGE ACCURACY	+/- 5%
INPUT VOLTAGE RANGE	4.75 - 5.25 VDC
OUTPUT CURRENT	250 mA(MAX)
POWER RATING	2 WATTS
OUTPUT RIPPLE AND NOISE	50 mV P-P(MAX)
SHORT CIRCUIT PROTECTION	SHORT TERM

**GENERAL SPECIFICATIONS**

EFFICIENCY(AT FL)	70% MIN
ISOLATION VOLTAGE	500VAC
ISOLATION CAPACITANCE	400 pF(MAX)
OPERATING FREQUENCY	20 KHz MIN
OPERATING TEMPERATURE RANGE	0 DEG C TO 70 DEG C
STORAGE TEMPERATURE RANGE	-40 DEG C TO 100 DEG C

THIS DRAWING IS THE PROPERTY OF VITEC ELECTRONICS CORP. IT IS NOT A CONTROLLED DOCUMENT. THEREFORE IT IS SUBJECT TO CHANGE WITHOUT PRIOR NOTICE. ITS INTENDED USE IS TO SUPPLY PRELIMINARY INFORMATION ONLY. DUPLICATION OF ALL OR ANY PART OF THIS DRAWING IS PROHIBITED.

<b>VITEC ELECTRONICS CORP.</b>	
PLANT LOCATION: VISALIA, CALIFORNIA	
PART NO. 80P8002	PG. 1 OF 1

SALES SHEET	REV
-------------	-----