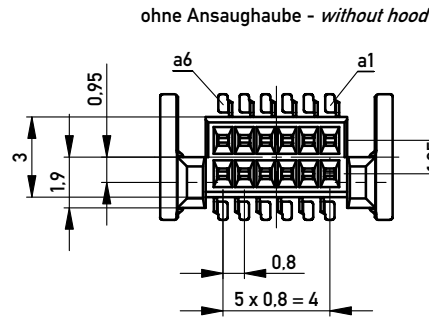
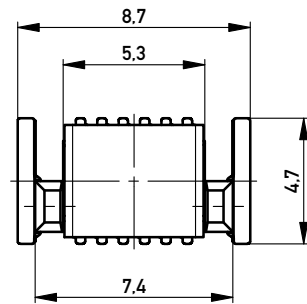
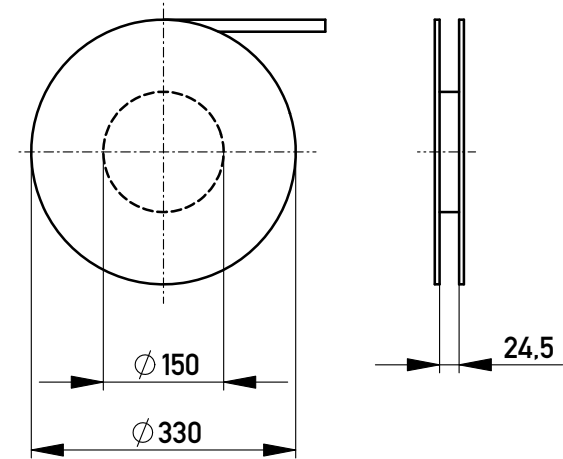
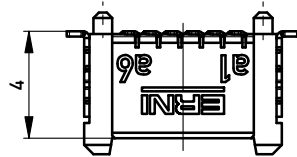


Verpackt in Gurtverpackung - *Tape on Reel Packaging*  
 Verpackungseinheit: 840 Stück - *Packaging unit: 840 pcs*

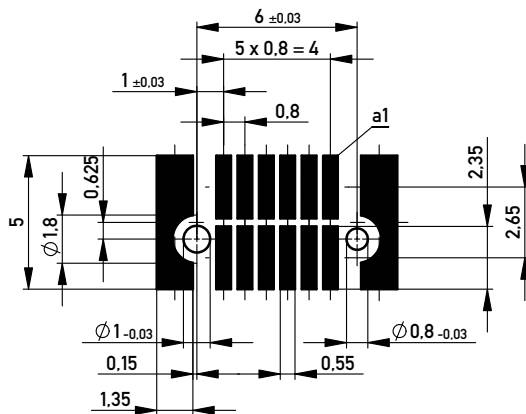


Abspulrichtung - *Reel off Direction* →

ohne Ansaughaube - *without hood*



Leiterplatten-Layout Vorschlag für SMT  
*PCB-Layout Proposal for SMT*

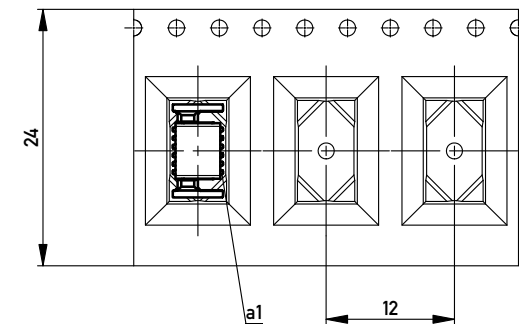


Anforderungsstufe 2  
*Performance Level 2*

Kontaktbereich vergoldet  
*Mating Area gold plating*

Anschlussbereich verzinkt 4-6 µm  
*Terminal Area 4-6 µm tin plating*

Koplanarität der Anschlüsse ≤ 0,1 mm  
*Coplanarity Area of Termination ≤ 0,1 mm*



Copyright by ERNI GmbH  
 Proprietary notice pursuant to ISO 9006 to be observed.

Information:		Tolerances		Scale	5:1
All rights reserved. Only for Information. To ensure that this is the latest version of this drawing, please contact one of the ERNI companies before using.		All Dimensions in mm		Designation	
Subject to modification without prior notice. Drawing will not be updated.				0,8 DRC-B, F 4mm, 12 polig 0,8 DRC-B, F 4mm, 12 pin	
www.ERNI.com		294000		I A3	
Index	Date	Class		DRCB	