

1SR155-400

Diode, rectifying, surface mount

These diodes are suitable for high density surface mounting on printed circuit boards.

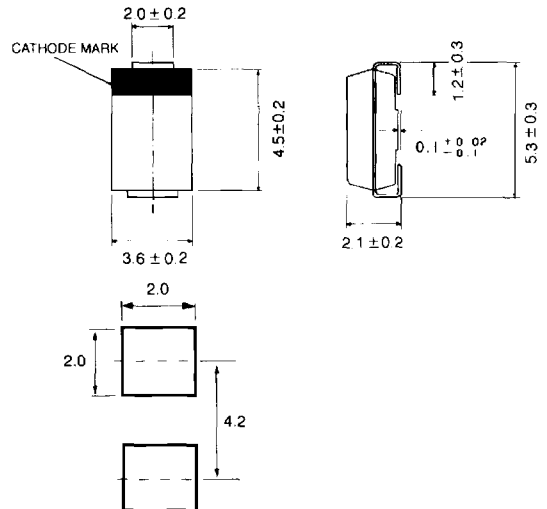
Features

- available in PMDM (LSM) package
- part marking, 4004R

Applications

- rectifying
- surge absorption

Dimensions (Units : mm)



Absolute maximum ratings ($T_a = 25^\circ\text{C}$)

Parameter	Symbol	Limits	Unit	Conditions
Absolute peak reverse voltage	V_{RSM}	500	V	
Peak reverse voltage	V_{RM}	400	V	
Mean rectifying current	I_O	1.0	A	When mounted on an alumina PCB
Peak forward surge current	I_{FSM}	30	A	60 Hz for 1 cycle
Junction temperature	T_j	150	$^\circ\text{C}$	
Storage temperature	T_{stg}	-55 ~ +150	$^\circ\text{C}$	

Electrical characteristics (unless otherwise noted, $T_a = 25^\circ\text{C}$)

Parameter	Symbol	Min	Typical	Max	Unit	Conditions
Forward voltage	V_F		0.95	1.1	V	$I_F = 1.0 \text{ A}$
Reverse current	I_R		0.030	10	μA	$V_R = 400 \text{ V}$

Electrical characteristic curves1

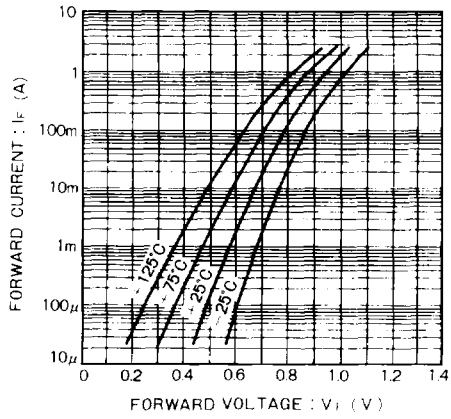


Figure 1

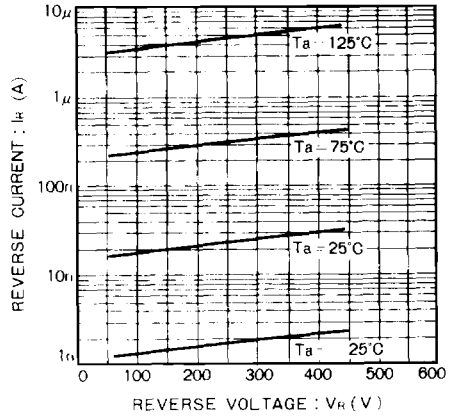


Figure 2