

VI TELEFILTER**Filter Specification****TFS 125 G****1/5****Measurement Condition**

Ambient temperature: 23 °C
 Input power level: 0 dBm
 Source impedance: 200 Ω balanced
 Load impedance: 50 Ω single ended
 Terminating impedances: *) input: 880 Ω // -11,0 pF
 output: 890 Ω // -12,6 pF

Characteristics

Remark: Reference level for the relative attenuation a_{rel} of the TFS 125G is the attenuation at 125 MHz. Reference for the echo response attenuation is the main time response lobe, the reference time is defined as t_0 . The nominal frequency f_N is fixed at 125 MHz without tolerance. The given values for the relative attenuation a_{rel} and for the group delay ripple have to be reached at the frequencies given below even if the centre frequency f_C is shifted due to the temperature coefficient of frequency TC_f in the operating temperature range and due to a production tolerance for the centre frequency f_C .

D a t a	typ. Value	Limit
Absolute attenuation within $f_N \pm 0,1$ MHz	8 dB	7 ... 10 dB
Nominal frequency f_N	-	125 MHz
Pass band ripple		
f_N	$f_N \pm 0,1$ MHz	max. $\pm 0,25$ dB
$f_N \pm 0,1$ MHz ...	$f_N \pm 0,2$ MHz	max. $\pm 0,5$ dB
$f_N \pm 0,2$ MHz ...	$f_N \pm 0,5$ MHz	max. ± 1 dB
1 dB-bandwidth	1235 kHz	min. 1000 kHz
Relative attenuation a_{rel}		
f_N ...	$f_N \pm 0,5$ MHz	max. 1 dB
$f_N \pm 1,2$ MHz ...	$f_N \pm 1,8$ MHz	min. 9 dB
$f_N \pm 1,8$ MHz ...	$f_N \pm 6$ MHz	min. 25 dB
$f_N \pm 6$ MHz ...	$f_N \pm 13$ MHz	min. 35 dB
$f_N - 13$ MHz ...	$f_N - 115$ MHz	min. 50 dB
$f_N + 13$ MHz ...	$f_N + 325$ MHz	min. 50 dB
Echo response attenuation a_{rel}		
$t_0 + 2$ μs	42 dB	min. 30 dB
$t_0 + 3$ μs	43 dB	min. 40 dB
$t_0 + 4$ μs	56 dB	min. 50 dB
$t_0 + 5$ μs	70 dB	min. 55 dB
$t_0 + 6$ μs	75 dB	min. 60 dB
Group delay @ f_N	705 ns	max. 750 ns
Group delay ripple within $f_N \pm 0,5$ MHz	120 ns	max. 150 ns
Input power level	-	max. + 10 dBm
VSWR within $f_N \pm 0,5$ MHz	-	min. 2:1
Intermodulation products	62 dBm	min. 60 dBm
Operating temperature range		- 10 °C ... + 85 °C
Storage temperature range		- 40 °C ... + 125 °C
Temperature coefficient of frequency TC_f ***	-0,036 ppm/K ²	-
Frequency inversion temperature T_0	30 °C	-

*) The terminating impedances depend on parasitics and q-values of matching elements and the board used, and are to be understood as reference values only. Should there be additional questions, do not hesitate to ask for an application note or contact our design team.

**) $f_{in,1}=125\text{MHz}$; $f_{in,2}=125,1\text{MHz}$; $P_{in}=4\text{dBm}+\text{loss}$ @ f_N ; $f_{out,1}=124,9\text{MHz}$; $f_{out,2}=125,2\text{MHz}$; then $P_{out}<-56\text{dBm}$

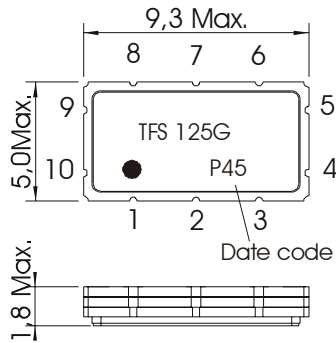
***) $\Delta f(\text{Hz}) = TC_f(\text{ppm/K}^2) \times (T-T_0)^2 \times f_{T0}(\text{MHz})$

generated:**checked / approved:****VI TELEFILTER****Potsdamer Straße 18****D 14 513 TELTOW / Germany****Tel: (+49) 3328 4784-0 / Fax: (+49) 3328 4784-30****E-Mail: tft@telefilter.com**

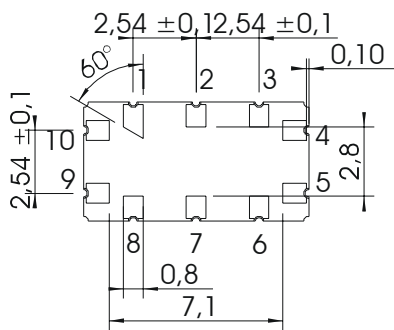
VI TELEFILTER reserves the right to make changes to the product(s) and/or information contained herein without notice. No liability is assumed as a result of their use or application. No rights under any patent accompany the sale of any such product(s) or information.

Construction and pin configuration

(all dimensions in mm)

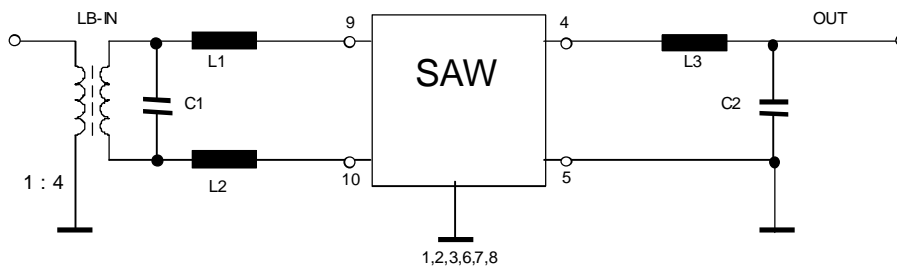


- 1 Ground
- 2 Ground
- 3 Ground
- 4 Output
- 5 Ground
- 6 Ground
- 7 Ground
- 8 Ground
- 9 Input
- 10 Input



date code: year + week
 M 2000
 N 2001
 P 2002

matching circuit: input 200 Ω balanced driven / output 50 Ω single ended



VI TELEFILTER
 Potsdamer Straße 18
 D 14 513 TELTOW / Germany
 Tel: (+49) 3328 4784-0 / Fax: (+49) 3328 4784-30
 E-Mail: tft@telefilter.com

VI TELEFILTER reserves the right to make changes to the product(s) and/or information contained herein without notice. No liability is assumed as a result of their use or application. No rights under any patent accompany the sale of any such product(s) or information.

Stability Characteristics

After the following tests the filter shall meet the whole specification:

1. Shock: 500g, 18 ms, half sine wave, 3 shocks each plane;
DIN IEC 68 T2 - 27
2. Vibration: 10 Hz to 500 Hz, 0,35 mm or 5g respectively, 1 octave per min, 10 cycles per plan, 3 plans;
DIN IEC 68 T2 - 6
3. Change of temperature: -55 °C to 125 °C / 30 min. each / 10 cycles
DIN IEC 68 part 2 – 14 Test N
4. Resistance to solder heat (reflow): reflow possible: twice max. ;
for temperature conditions refer to the attached "Air reflow temperature conditions" on page 4;

Packing

Tape & Reel:

IEC 286 - 3, with exception of value for N and minimum bending radius;
tape type II, embossed carrier tape with top cover tape on the upper side;

max. pieces of filters per reel:

3000

reel of empty components at start:

min 300 mm

reel of empty components at start including leader:

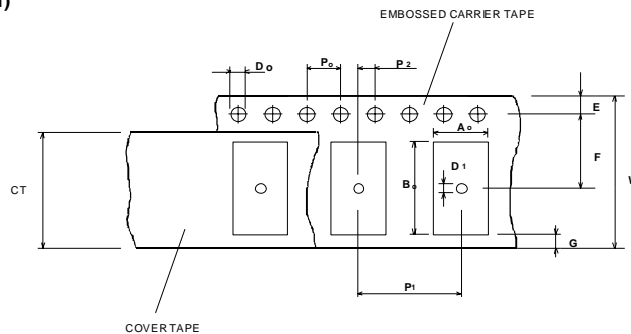
min 500 mm

trailer

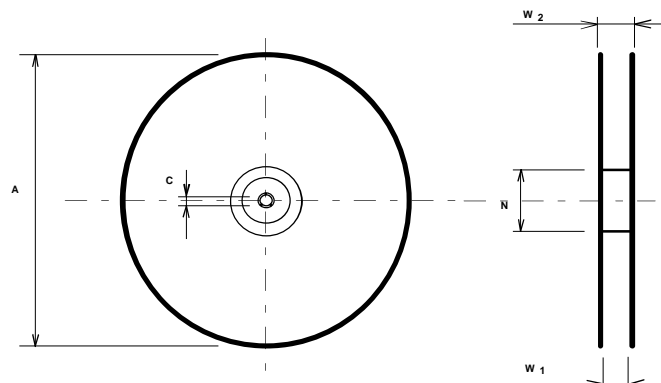
min 300 mm

Tape (all dimensions in mm)

W	: 16 ± 0,3
Po	: 4 ± 0,1
Do	: 1,5 + 0,1
E	: 1,75 ± 0,1
F	: 7,5 ± 0,1
G (min)	: 0,60
P2	: 2 ± 0,1
P1	: 8 ± 0,1
D1(min)	: 1,5
Ao	: 5,30 ± 0,1
Bo	: 9,70 ± 0,1
CT	: 13,5 ± 0,1

**Reel (all dimensions in mm):**

A	: 330
W1	: 16,40 +2,0
W2 (max)	: 22,4
N (min)	: 50
C	: 13,0 ± 0,5/-0,2



The minimum bending radius is 45 mm. The mounting surface of the filters faces the bottom side of the embossed carrier tape. Markings on the filters can be read if the upper side of the carrier tape is regarded with the sprocket holes on its right.

VI TELEFILTER

Potsdamer Straße 18

D 14 513 TELTOW / Germany

Tel: (+49) 3328 4784-0 / Fax: (+49) 3328 4784-30

E-Mail: tft@telefilter.com

VI TELEFILTER reserves the right to make changes to the product(s) and/or information contained herein without notice. No liability is assumed as a result of their use or application. No rights under any patent accompany the sale of any such product(s) or information.

Air reflow temperature conditions

1st and 2nd air reflow profile

Name:	pre-heating periods	main-heating periods	peak temperature
Temperature:	150 °C - 170 °C	over 200 °C	255 °C ± 5 °C
Time:	60 sec. - 90 sec.	20 sec. - 25 sec.	

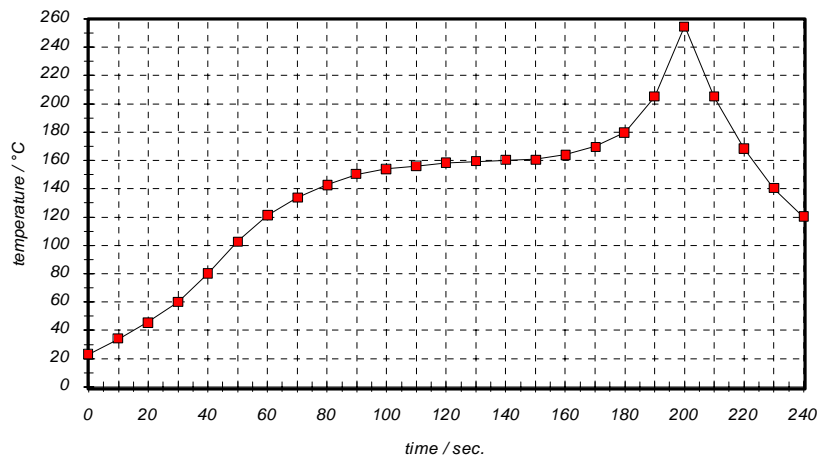
Chip-mount air reflow profile

Table for temperature vs. time during the air reflow process

Tolerance of temperatures: ± 5 °C

time / sec.	temperature / °C	time / sec.	temperature / °C
0	23	140	160
10	34	150	161
20	46	160	164
30	60	170	170
40	80	180	180
50	103	190	205
60	121	195	230
70	134	200	255
80	143	205	230
90	150	210	205
100	154	215	180
110	156	220	165
120	158	230	140
130	159	240	120

VI TELEFILTER
 Potsdamer Straße 18
 D 14 513 TELTOW / Germany
 Tel: (+49) 3328 4784-0 / Fax: (+49) 3328 4784-30
 E-Mail: tft@telefilter.com

VI TELEFILTER reserves the right to make changes to the product(s) and/or information contained herein without notice. No liability is assumed as a result of their use or application. No rights under any patent accompany the sale of any such product(s) or information.

History

Version	Reason of Changes	Name	Date
Development specification			
1.0	generation of development specification	Chilla	17.07.2002
1.1	terminating impedance (preliminary values) and typical values of relative attenuation added	Pfeiffer	25.09.2002
1.2	terminating impedance changed and typical values added	Pfeiffer	08.11.2002

VI TELEFILTER
Potsdamer Straße 18
D 14 513 TELTOW / Germany
Tel: (+49) 3328 4784-0 / Fax: (+49) 3328 4784-30
E-Mail: tft@telefilter.com

VI TELEFILTER reserves the right to make changes to the product(s) and/or information contained herein without notice. No liability is assumed as a result of their use or application. No rights under any patent accompany the sale of any such product(s) or information.