

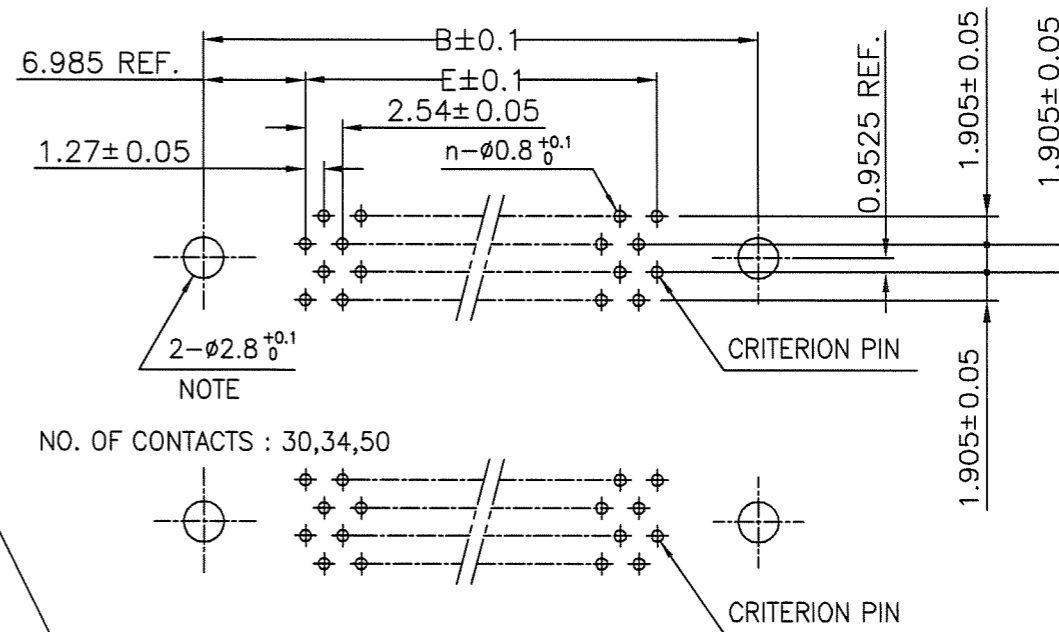
PRODUCT NO.

JSC 91840

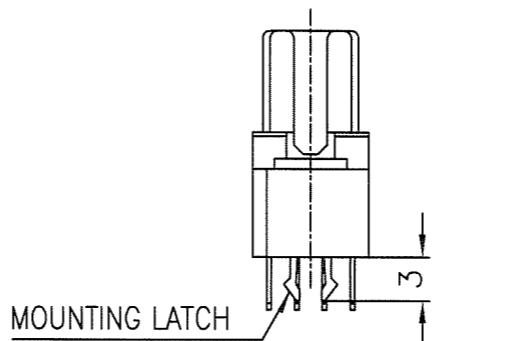
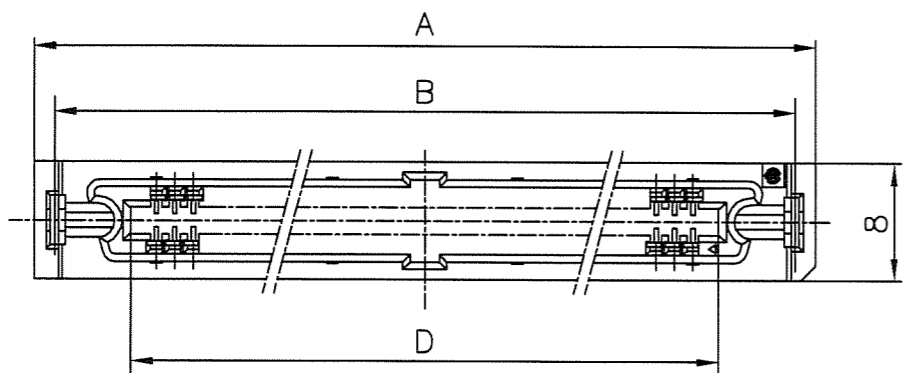
RECOMMENDED PC BOARD

THICKNESS : 1.6 ±0.2
HOLE PATTERN (COMPONENT SIDE)

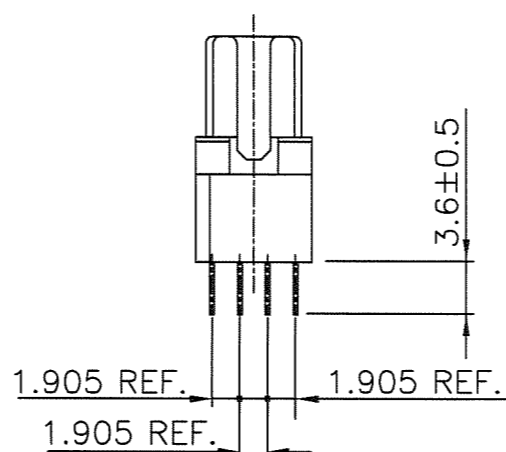
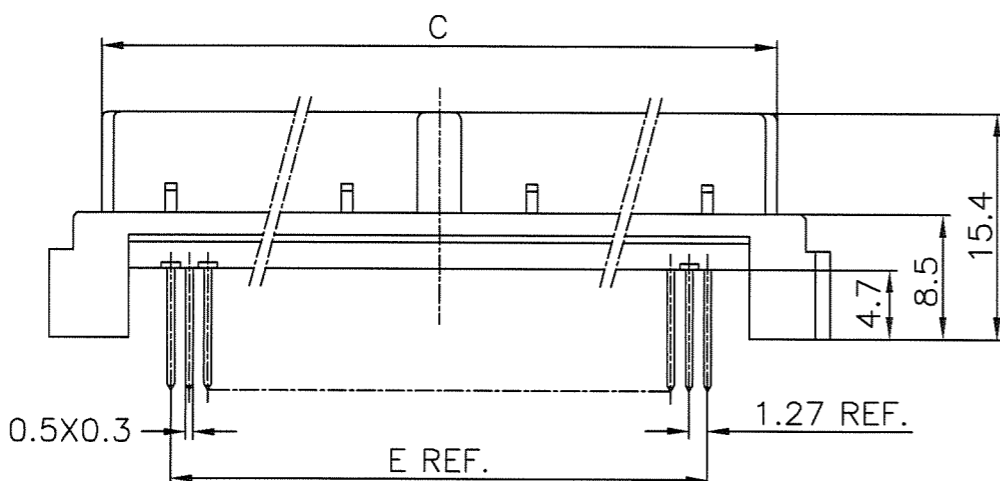
NO. OF CONTACTS : 40,60,68 (n : NO. OF CONTACTS)



NOTE : THROUGH-HOLES FOR MOUNTING LATCHES ALSO SHOULD BE PLATED.

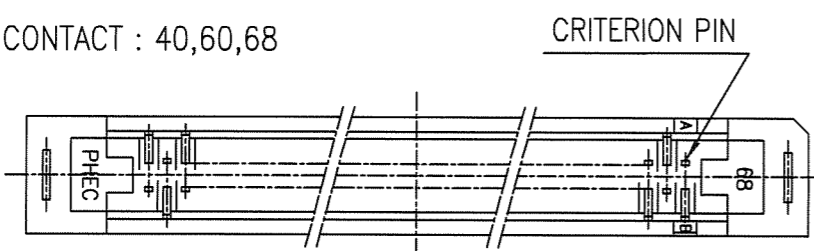


PHEC__R-S211-H1

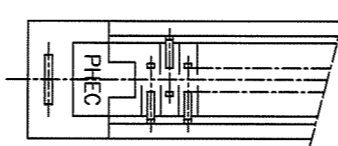


PHEC__R-S210-H1

NO. OF CONTACT : 40,60,68



NO. OF CONTACTS : 30,34,50



CAT.NO.	NUMBER OF CONTACT (MATING SIDE)	DIMENSION				
		A	B	C	D	E
PHEC30R-S21_-H1	15/ROWX2ROW	34.55	31.75	27.26	21.26	17.78
PHEC34R-S21_-H1	17/ROWX2ROW	37.09	34.29	29.8	23.8	20.32
PHEC40R-S21_-H1	20/ROWX2ROW	40.9	38.1	33.61	27.61	24.13
PHEC50R-S21_-H1	25/ROWX2ROW	47.25	44.45	39.96	33.96	30.48
PHEC60R-S21_-H1	30/ROWX2ROW	53.6	50.8	46.31	40.31	36.83
PHEC68R-S21_-H1	34/ROWX2ROW	58.68	55.88	51.39	45.39	41.91

MATERIAL

INSULATOR : PBT RESIN GLASS REINFORCED (UL94V-0)
COLOR : BLACK

CONTACT : PHOSPHOR BRONZE

MOUNTING LATCH : PHOSPHOR BRONZE
SOLDER PLATED

CONTACT PLATING TABLE

[THICKNESS: μm]

CONTACT AREA	REMAINDER
GOLD 0.25 MIN. OVER NICKEL 3.2	SOLDER OVER NICKEL

mat'l. code ---				surface ISO 1302 ✓	tolerance ISO 406 ISO 1101	projection	product family PHEC	CODE JP
ltr	description	ecn no	dr	date	tolerances unless otherwise specified	MM	title	
AA	REVISED	J04-0358	H.T	10/13/04	0.X ±0.3	scale N/A	PRINTED CIRCUIT CONNECTOR	
AB	REVISED	J07-0047	S.O	1/25/07	0.XX ±0.3		(CAT. NO. PHEC __ R-S21_-H1)	
					0.XXX ±0.3		dwg no sheet 1 of 1 size	
					dr S.OKUDAIRA 1/26/05	FCI	JSC 91840 A3	
					enr S.OKUDAIRA 1/25/07		type Customer Drawing	
					chr R.Shouji 4/25/07		Rev. AB	
sheet index	revision sheet	AB	1		appd S.Dudman 1/25/07			