

# Customer Information Sheet

DRAWING No.: M40-600XX46

SHEET 2 OF 2

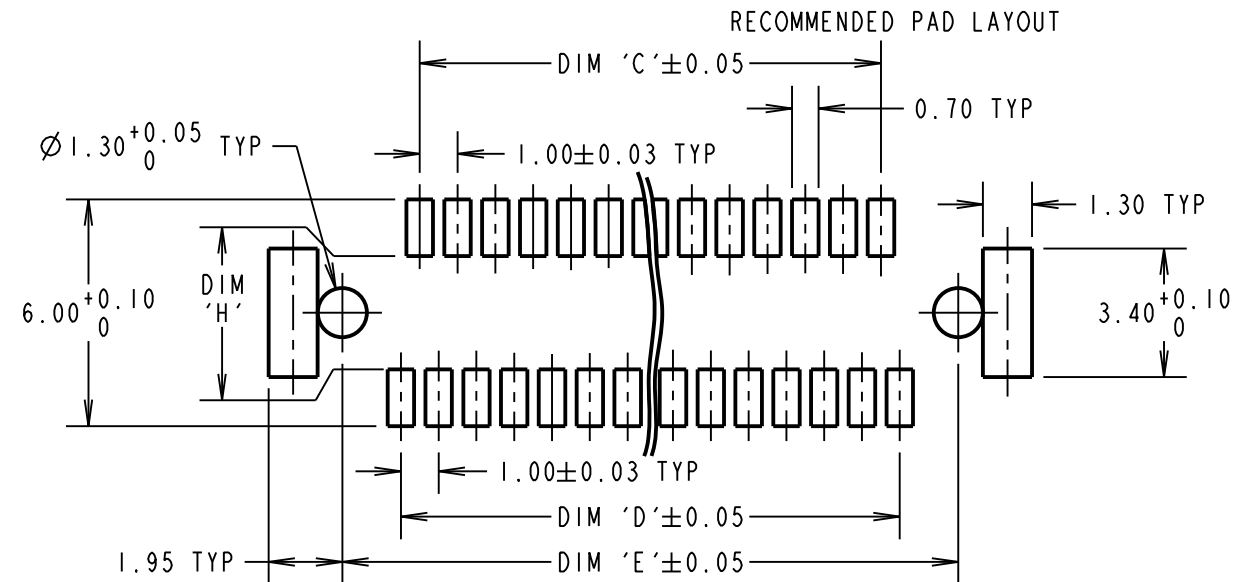
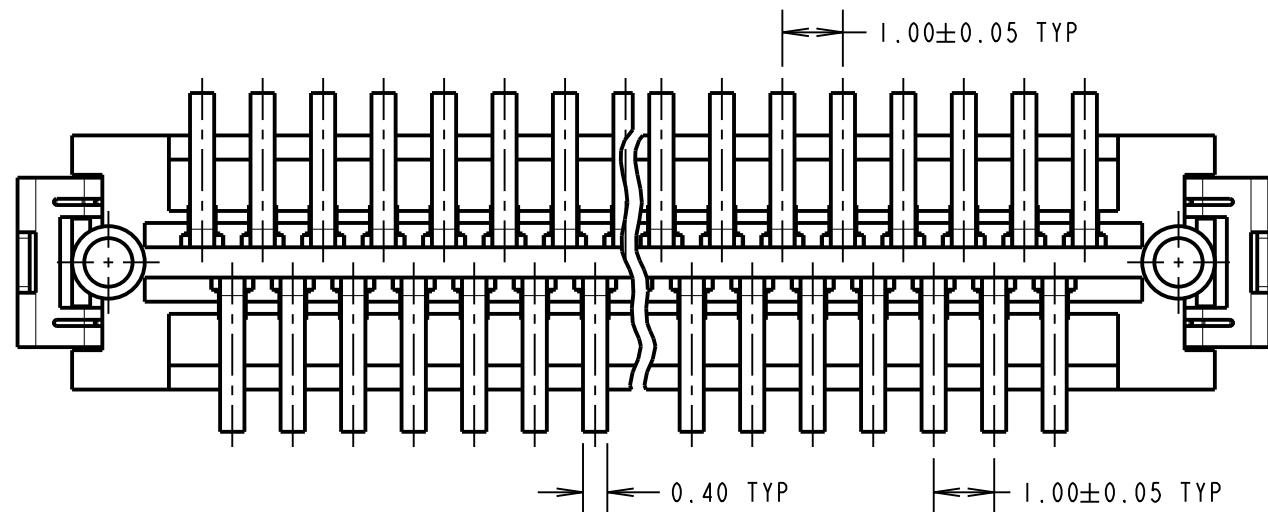
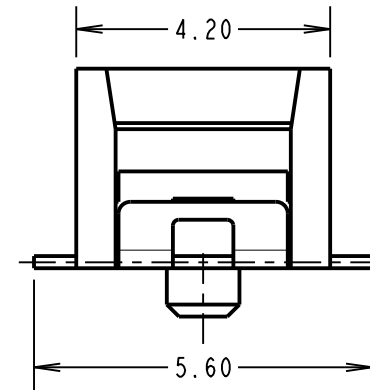
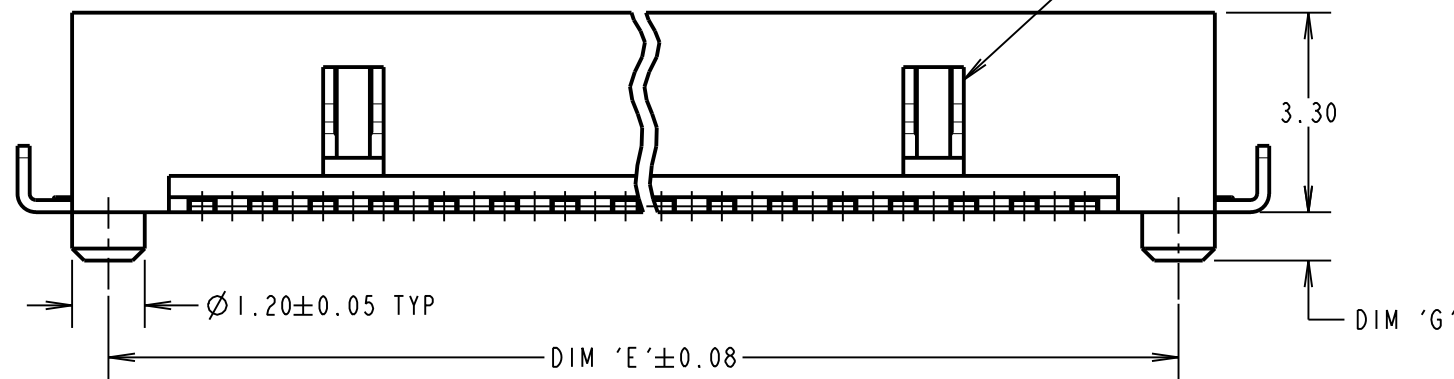
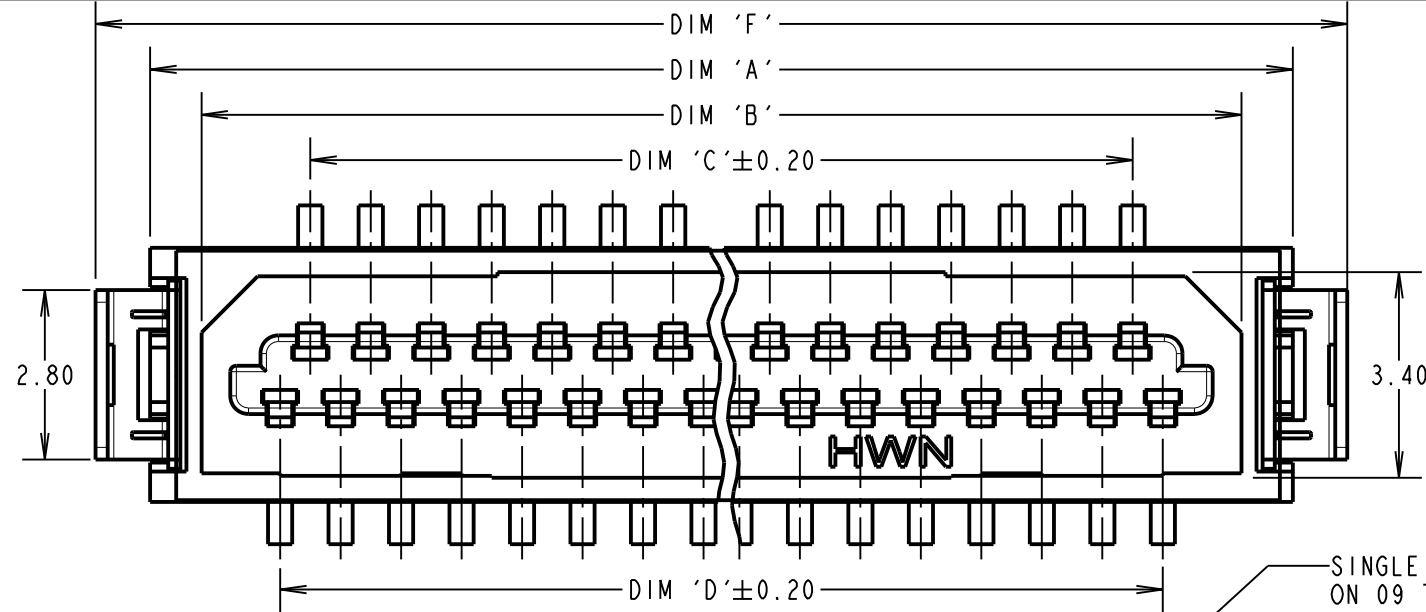
IF IN DOUBT - ASK

©

NOT TO SCALE

THIRD ANGLE PROJECTION

ALL DIMENSIONS IN mm



PART No.	No. OF CONTACTS	DIM 'A'	DIM 'B'	DIM 'C'	DIM 'D'	DIM 'E'	DIM 'F'	DIM 'G'	DIM 'H'
M40-6000946	9	8.30	6.60	3.00	4.00	7.10	10.10	1.00	1.84 <sup>+0.10</sup> -0.00
M40-6001546	15	11.30	9.60	6.00	7.00	10.10	13.10		
M40-6002146	21	14.30	12.60	9.00	10.00	13.10	16.10		
M40-6002546	25	16.30	14.60	11.00	12.00	15.10	18.10	0.80	3.00 <sup>+0.00</sup> -0.10
M40-6003146	31	19.30	17.60	14.00	15.00	18.10	21.10		
M40-6004146	41	24.30	22.60	19.00	20.00	23.10	26.10		
M40-6005146	51	29.30	27.60	24.00	25.00	28.10	31.10		

**SPECIFICATIONS:**

**MATERIAL:**

MOULDING = LCP, NATURAL, UL94V-0

CONTACTS AND RETAINER = BRASS

FINISH = 2.03µ MIN 100% TIN, OVER 1.27µ MIN NICKEL

**ELECTRICAL:**

CURRENT RATING = 0.5 A

VOLTAGE RATING = 150V AC

DIELECTRIC STRENGTH = 250V AC FOR 1 MINUTE

INSULATION RESISTANCE = 500 MΩ MIN

CONTACT RESISTANCE = 50 mΩ MAX

**MECHANICAL:**

DURABILITY = 30 CYCLES MIN

**ENVIRONMENTAL:**

TEMPERATURE RANGE = -20°C TO +125°C

**PACKING:**

TUBE

ORDER CODE:

**M40-600XX46**

No. OF CONTACTS  
9, 15, 21, 25, 31,  
41, 51.

FINISH:  
46 = 100% TIN

**HARWIN**

www.harwin.com  
technical@harwin.com

THIS DRAWING AND ANY INFORMATION OR DESCRIPTIVE MATTER SET OUT HEREON ARE CONFIDENTIAL AND COPYRIGHT PROPERTY OF THE HARWIN GROUP AND MUST NOT BE DISCLOSED, LOANED, COPIED OR USED FOR MANUFACTURING, TENDERING OR FOR ANY OTHER PURPOSE WITHOUT THEIR WRITTEN PERMISSION.

**TOLERANCES**  
X = ±1mm  
X.X = ±0.25mm  
X.XX = ±0.10mm  
X.XXX = ±0.01mm  
ANGLES = ±5°  
UNLESS STATED

**MATERIAL:**

SEE ABOVE

**FINISH:**

SEE ABOVE

**S/AREA:**

mm<sup>2</sup>

**TITLE:**

1.00mm PITCH SMT  
PLUG CONNECTOR

**DRAWING NUMBER:**

**M40-600XX46**

SB	13	18.09.13	12184
NAME	ISS.	DATE	C/NOTE
APPROVED:		S.BENNETT	
CHECKED:		S.FLOWER	
DRAWN:		R.ADDE	
CUSTOMER REF.:			

ASSEMBLY DRG:

**NOTES:**

- MATES WITH M40-620XX46 TO GIVE 4.3mm BOARD TO BOARD HEIGHT.
- ALL TOLERANCES ARE ±0.25 UNLESS OTHERWISE STATED.