

Green-Mode PWM Controller with Hiccup Protection

Features

- Current mode control
- Standby power below 100mW
- Under-voltage lockout (UVLO)
- Non-audible-noise green-mode control
- 100KHz switching frequency
- Internal leading-edge blanking
- Internal slope compensation
- Internal soft start
- Gate output voltage clamp
- Jitter and soft driving for reducing EMI
- External OVP latch mode
- External OTP latch mode
- Over-load protection (OLP)-Auto recovery Mode
- Vcc OVP protection- Auto recovery Mode
- 300mA driving capability

Description

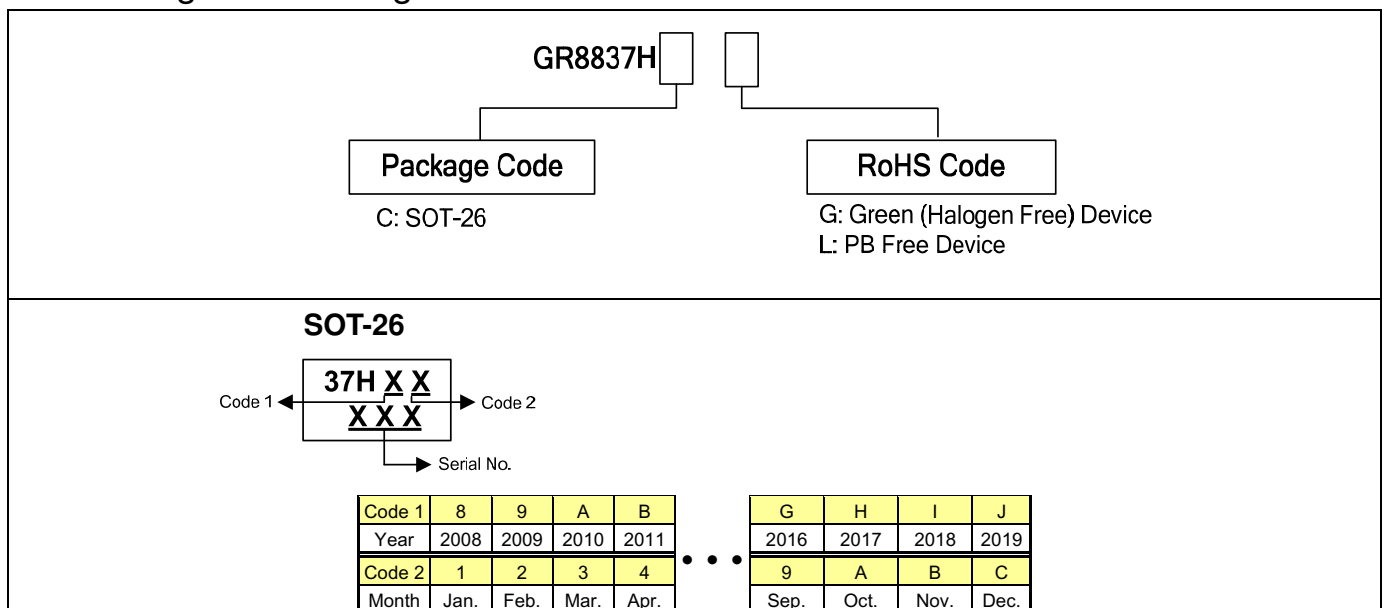
The GR8837H is a highly-integrated, low startup current, current mode PWM controller with green-mode function. The integrated functions also include the leading-edge blanking of the current sensing, internal slope compensation, soft start OLP, and OCP. Besides, The RTL pin latch function by injecting a high over 3.5V to provide OVP latch off and low below 1V to provide OTP latch off protection. These functions enable the power supply to easily meet even the strictest power requirements.

The GR8837H improves the performance and reduces the cost of power supplies. It is 6-pin SOT-26 package.

Application

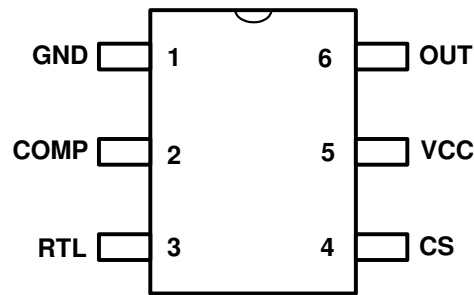
- Switching AC/DC Adapter
- Battery Charger
- Open frame SMPS

Ordering and Marking Information



Greenergy OPTO Inc. reserves the right to make changes to improve reliability or manufacture ability without notice, and advise customers to obtain the latest version of relevant information to verify before placing orders.

Pin Configuration



Pin Description

Pin No.	Name	Function
1	GND	Ground pin
2	COMP	Voltage feedback pin, by connecting a photo-coupler to control the duty cycle
3	RTL	Resistor trigger latch off which a high over 3.5V for OVP latch off and a low below 1V for OTP latch
4	CS	Current sense pin, connect to sense the MOSFET current
5	VCC	Power supply pin
6	OUT	The output driver for driving the external MOSFET

Absolute Maximum Ratings

Supply voltage VCC	-----	30V
COMP, RTL, CS	-----	-0.3 ~ 7V
OUT	-----	-0.3 ~ VCC + 0.3V
Junction temperature	-----	150°C
Operating ambient temperature	-----	-20°C ~ 85°C
Storage temperature range	-----	-65°C ~ 150 °C
SOT-26 package thermal resistance (junction to ambient)	-----	250°C/W
Power dissipation (SOT-26, at ambient temperature = 85°C)	-----	250mW
Lead temperature (All Pb free packages, soldering, 10 sec)	-----	260°C
ESD voltage protection, human body model	-----	2KV
ESD voltage protection, machine model	-----	200V



Electrical Characteristics (VCC = 15.0V & TA = +25°C, unless otherwise specified.)

Parameter	Pin	Min.	Typ.	Max.	Unit
-----------	-----	------	------	------	------

SUPPLY VOLTAGE

Startup current (VCC=UVLO on - 1V)	5		8	15	uA
Operating current (with 1nF load on OUT pin), Vcomp = 0V	5		800		uA
Operating current (with 1nF load on OUT pin), Vcomp = 2.5V	5	2.3	3.3	4.3	mA
UVLO(off)	5	5.8	6.8	7.8	V
UVLO(on)	5	10.3	11.3	12.3	V
OVP level on VCC pin-Auto recovery Mode	5	27	28	29	V
VCC level in Latch off mode (3Meg start-up resistor)	5		6		V
Holding current at latch off mode (VCC=5V)			20		uA
Latch off mode release voltage	5		3.2		V

VOLTAGE FEEDBACK

Short circuit current, Vcomp = 0V	2			0.8	mA
Open loop voltage, COMP pin open	2	4.4		5.5	V
Green-mode start voltage	2		1.5		V
Burst mode start voltage	2		0.85		V

CURRENT SENSING

Maximum input voltage, Vcs(off)-Auto recovery Mode	4	0.80	0.85	0.9	V
Leading-edge blanking time	4		350		nS
Input impedance	4	1			MΩ
Delay to Output	4		100		nS

OSCILLATOR

Frequency	-	95	100	105	KHz
Jitter frequency	-		±6		%
Green mode frequency	-	28	33	38	KHz
Temp. stability (-40°C ~ 110°C)	-			5	%
Voltage stability (VCC = 11V~25V)	-			3	%

GATE DRIVER OUTPUT

Output low level, VCC = 15V, Io = 20mA	6			1	V
Output high level, VCC = 15V, Io = 20mA	6	8			V
Rising time, load capacitance = 1000pF	6		200		nS
Falling time, load capacitance = 1000pF	6		80		nS
VGATE-clamp (VCC = 25V)	6	12	13		V

OLP SECTION

OLP trip level, Vcomp (OLP)	-		3.5		V
OLP delay time	-		39		mS



PWM SECTION

Maximum duty cycle	-	70	75	80	%
--------------------	---	----	----	----	---

RTL SECTION

Over Voltage Protection threshold voltage	3	3.2	3.5	3.8	V
OVP Debounce time	3		65		uS
Over Temperature Protection threshold voltage	3	0.95	1	1.05	V
OTP Debounce time	3		65		us
Output current from RTL pin	3	75	80	85	uA



Typical Performance Characteristics

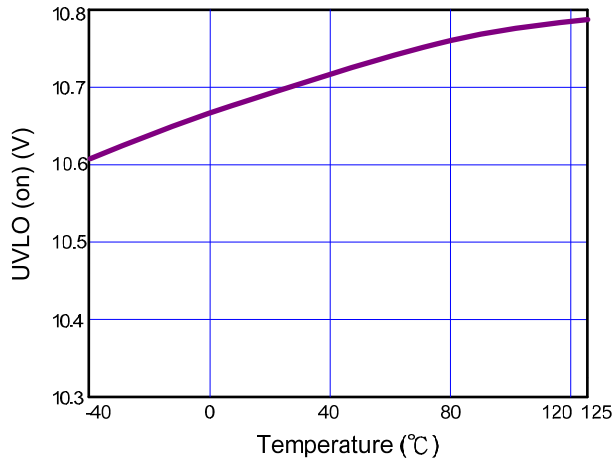


Fig. 1 UVLO (on) vs. Temperature

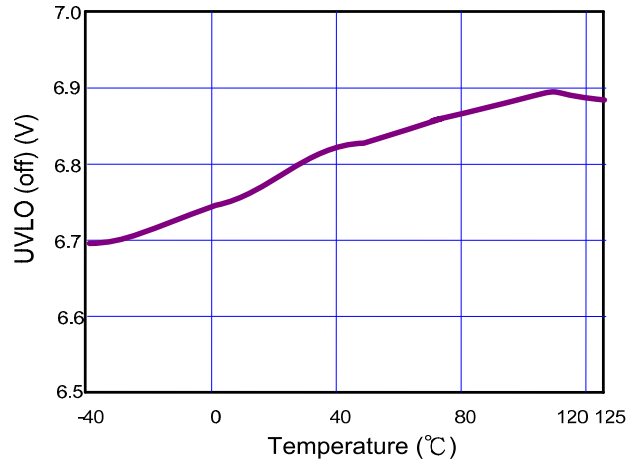


Fig. 2 UVLO (off) vs. Temperature

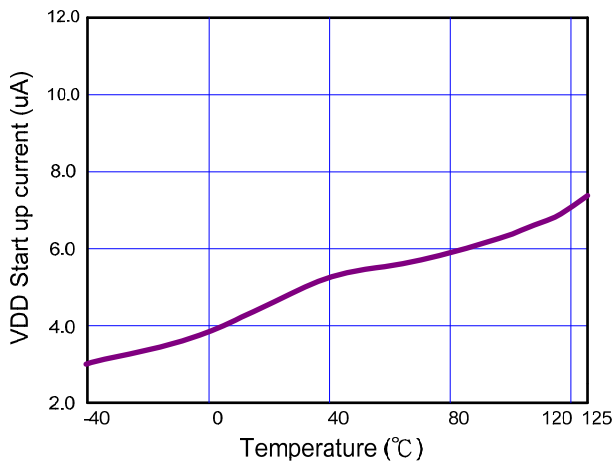


Fig. 3 VDD Start up current vs. Temperature

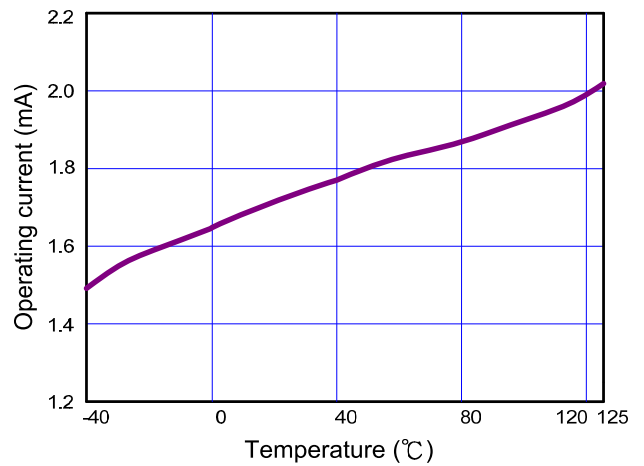


Fig. 4 Operating current vs. Temperature

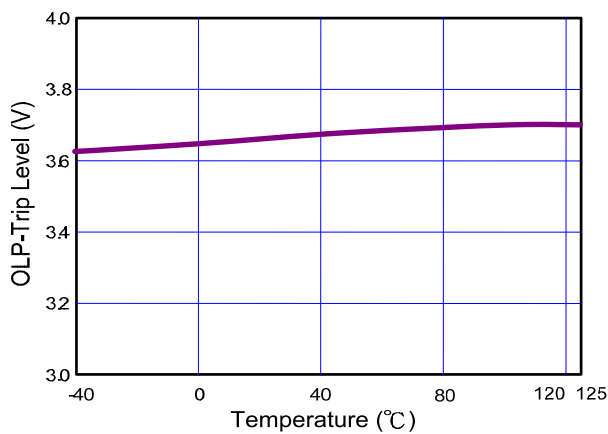


Fig. 5 OLP Trip Level vs. Temperature

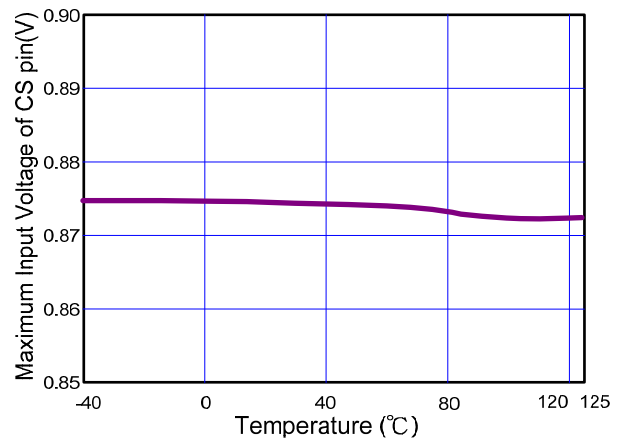


Fig. 6 Maximum Input Voltage of CS pin vs. Temperature

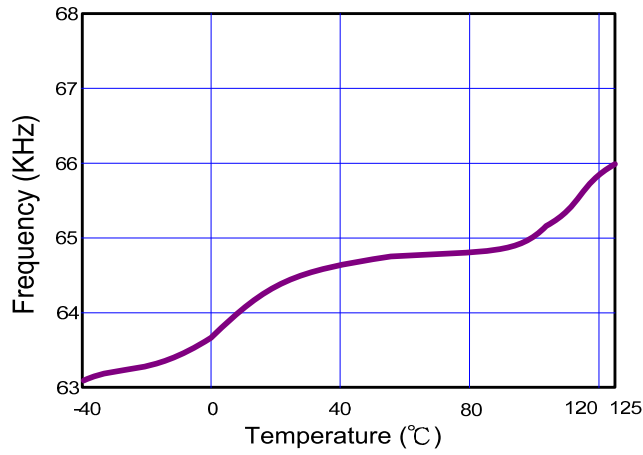


Fig. 7 Frequency vs. Temperature

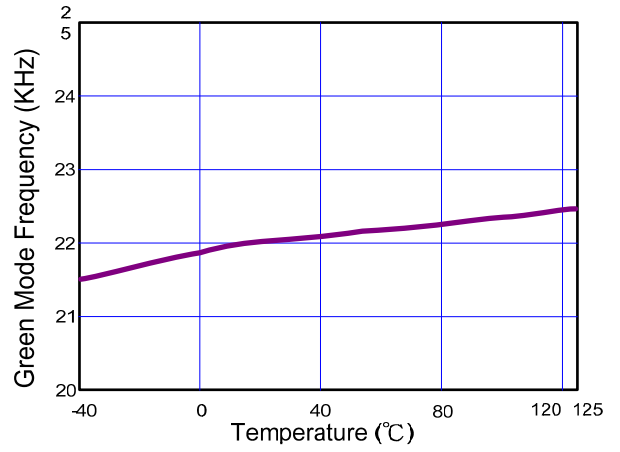


Fig. 8 Green Mode Frequency vs. Temperature

Application Information

Start-up Current

The typical start-up current is around 8uA. Very low start-up current allows the PWM controller to increase the value of start-up resistor and then reduce the power dissipation on it.

UVLO (Under Voltage Lockout)

A hysteresis UVLO comparator is implemented in GR8837H. Then turn-on and turn-off thresholds level are fixed at 11.3V and 6.8V respectively. This hysteresis shown in Fig.9 ensures that the start-up capacitor will be adequate to supply the chip during start-up. The GR8837H is designed to meet the standby power below 100mW. So the start-up resistor can be used as several Mega Ohms to reduce the power loss. Due to the low UVLO on level, so the turn-on delay time will also never greater than the general PWM IC.

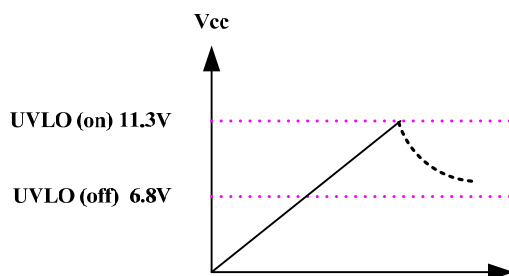


Fig.9

Soft Start

During initial power on, the GR8837H provides 10ms soft start function. It effectively suppresses the start up peak current to reduce the power MOSFET drain voltage especially at high line.

Oscillator

The maximum duty-cycle of internal oscillator is limited to 75% for avoiding the transformer saturation. The frequency of the oscillator is fixed to 100KHz by internal setting.

Green-Mode Operation

When the load decreases to an extent, the frequency of the controller will decrease so as to reduce the system power consumption. The minimum frequency is about 33 KHz, which is outside the audio range.

frequency of the controller will decrease so as to reduce the system power consumption. The minimum frequency is about 33 KHz, which is outside the audio range.

LEB (Leading-Edge Blanking)

Each time the power MOSFET is switched on, a turn-on spike will inevitably occur at the sense resistor. To avoid fault trigger, a 350ns leading-edge blanking time is built in. Conventional RC filtering can therefore be omitted. During this blanking period, the current-limit comparator is disabled and can not switch off the gate driver.

Internal Slope Compensation

A built-in slope compensation circuit is constructed in GR8837H. When the switch is on, a ramp voltage is added to the sensed voltage across the CS pin, which helps to stabilize the system and prevent the sub-harmonic oscillations.

OLP (Over Load Protection)

The GR8837H has over load protection function. An internal circuit detects the load level, when the load is larger than a threshold level and the condition lasts more than 39ms, the gate output will keep on low level. Then VCC decreases below UVLO off level, the controller resets again. Fig.10 shows the waveform of the OLP operation.

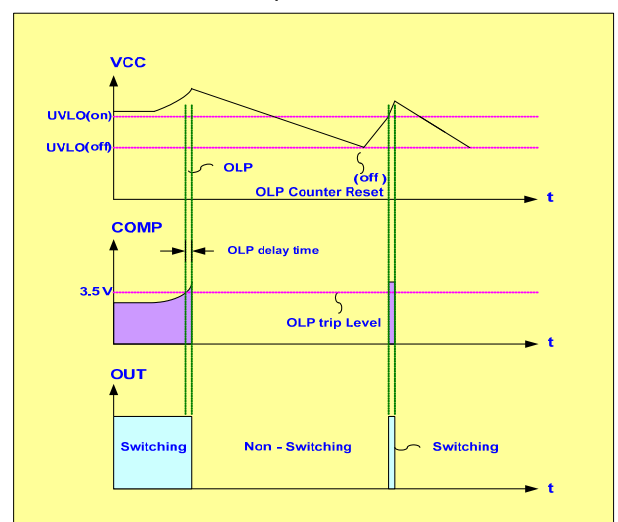


Fig. 10

OVP (Over Voltage Protection) on VCC

To prevent power MOSFET from being damaged, the GR8837H is implemented an OVP function on VCC. When the VCC voltage is higher than the OVP threshold voltage, the output gate driver circuit will be shut down immediately to stop the switching of power MOSFET. The VCC pin OVP function is an Auto-recovery type protection. GR8837H is working in Auto-recovery mode as shown in Fig. 11.

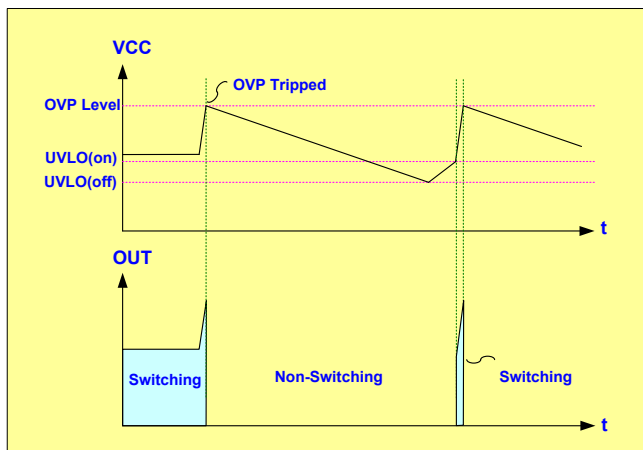


Fig. 11

Gate Clamp/Soft Driving

Driver is clamped to 13V by an internal clamping circuit. A totem pole gate driver is fine tuned to meet both EMI and efficiency requirement in low power application. An internal pull low circuit is activated after pretty low V_{dd} to prevent external MOSFET from accidentally turning on during UVLO.

VCC Mode Operation

In order to avoid the output voltage shut down by load changing from full to no load, the GR8837H is built-in the VCC mode function. When the load from full changes to no load, the output voltage will overshoot and pull low the COMP pin by feedback loop. Thus the duty will disappear and no power delivers to the secondary. If there is without any mechanism to prevent this situation, the VCC pin voltage will down to UVLO off and the IC will re-start again. In the GR8837H, before the VCC is down to UVLO off, it will force the OUT pin outputs the specified duty to pull the VCC higher than UVLO off.

The operation is shown in Fig.12.

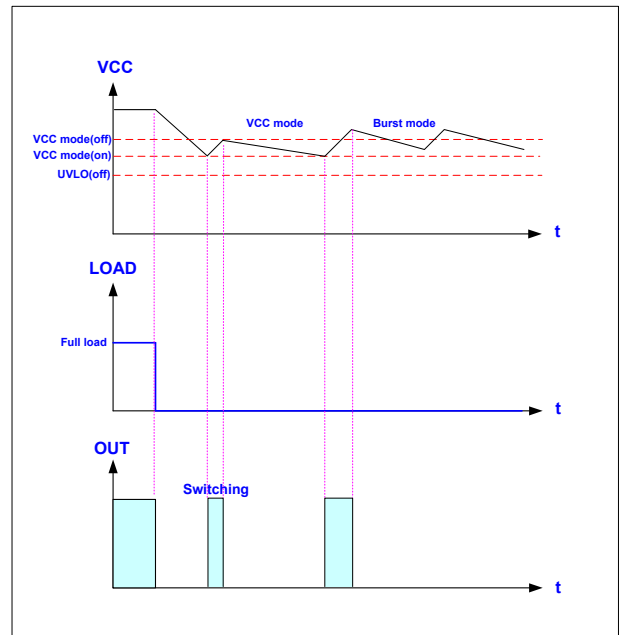


Fig. 12

The VCC mode function is used to prevent the output re-start again when load changes. So never let the system operate on the VCC mode at no load. The system should operate on burst mode, otherwise the input power maybe become larger.

RTL Pin Latch Off Mode

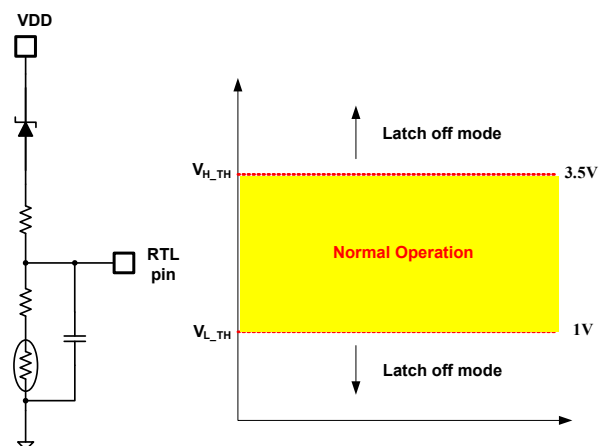


Fig. 13

The typical application for RTL pin is shown in Fig. 13. The Zener diode is setting as external OVP protection and the NTC thermal resistor is setting as external OTP protection. In the RTL pin, there are two comparators for latch-off mode protection. While the voltage on this pin is higher than 3.5V or lower

than 1.0V, the GR8837H will shut down after the de-bounce time 65us. And the GR8837H will never auto recovery, unless the VCC pin voltage is down to reset level as same as shown in Fig. 14.

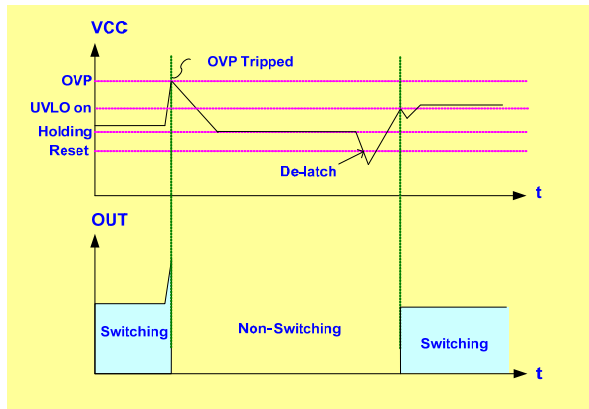
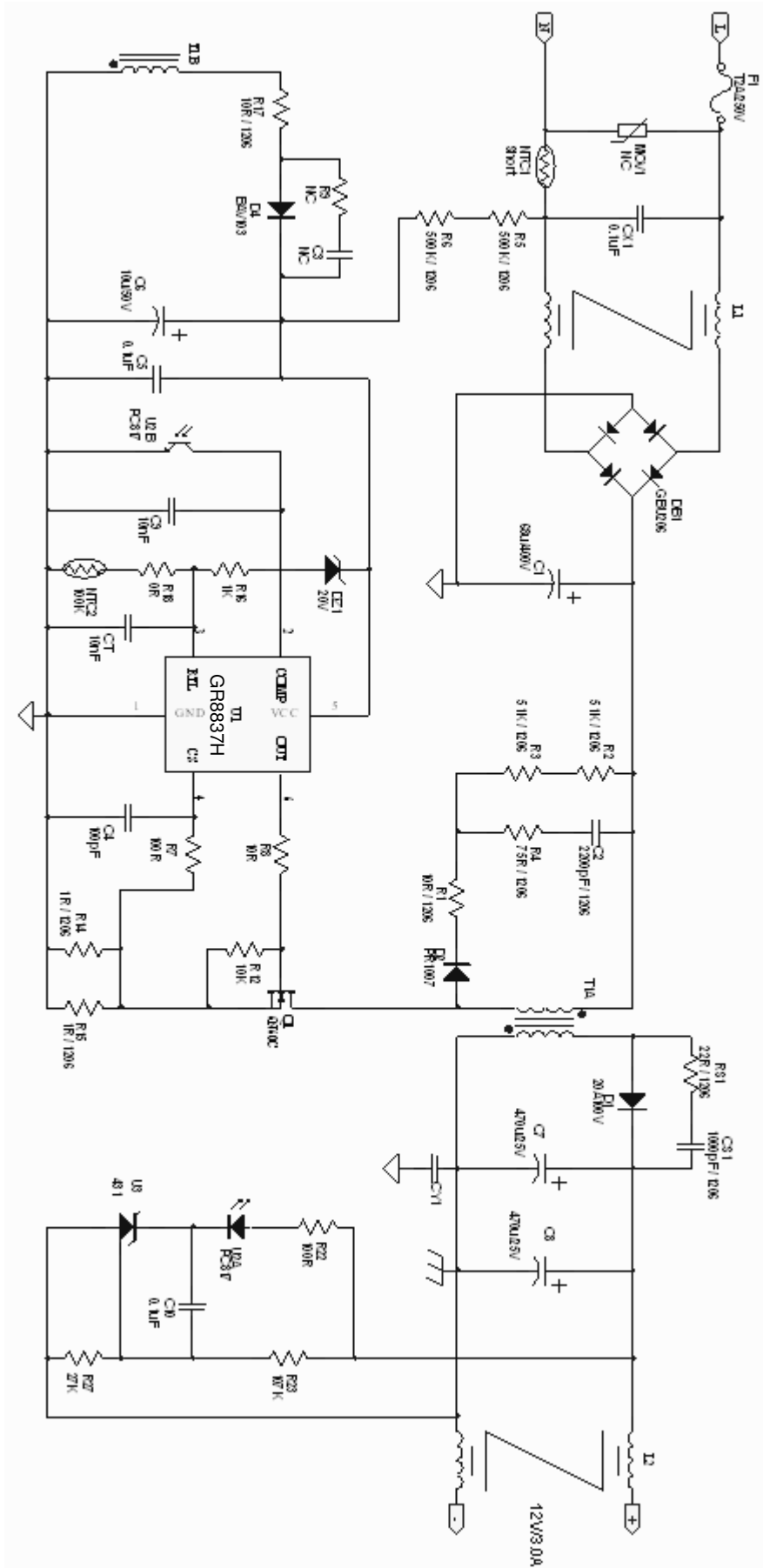
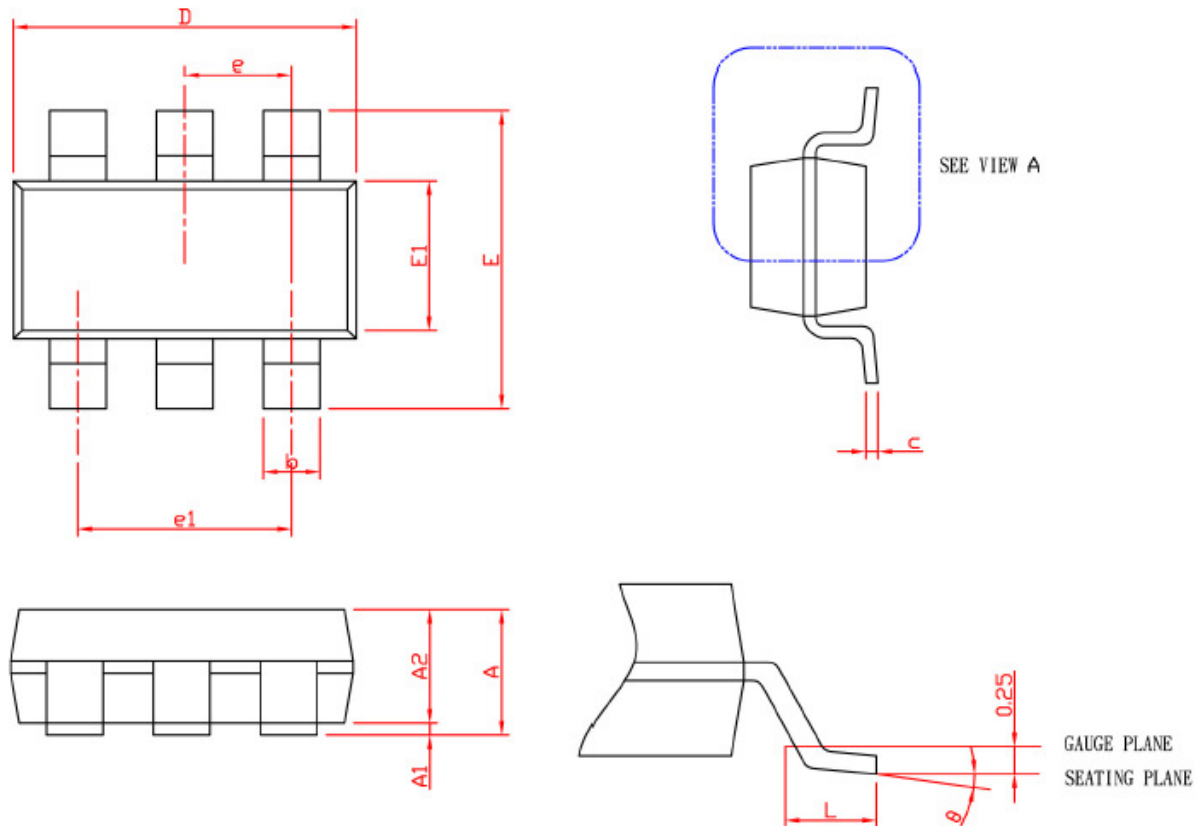


Fig. 14.

Typical Application Circuit



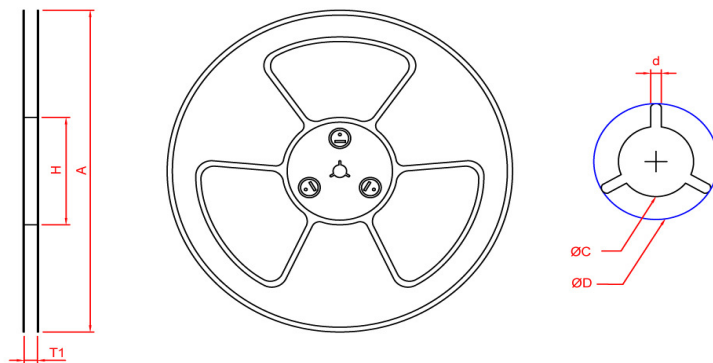
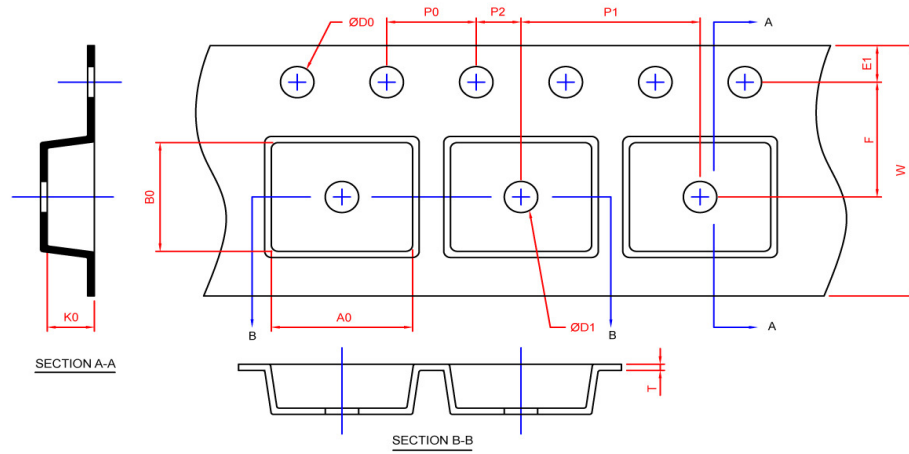
Package Information
SOT-26


SYMBOL	SOT-26			
	MILLIMETERS		INCHES	
	MIN.	MAX.	MIN.	MAX.
A		1.45		0.057
A1	0.00	0.15	0.000	0.006
A2	0.90	1.30	0.035	0.051
b	0.30	0.50	0.012	0.020
c	0.08	0.22	0.003	0.009
D	2.70	3.10	0.106	0.122
E	2.60	3.00	0.102	0.118
E1	1.40	1.80	0.055	0.071
e	0.95 BSC		0.037 BSC	
e1	1.90 BSC		0.075 BSC	
L	0.30	0.60	0.012	0.024
θ	0°	8°	0°	8°

Note: 1. Followed from JEDEC TO-178 AB.

2. Dimension D and E1 do not include mold flash, protrusions or gate burrs. Mold flash, protrusions or gate burrs shall not exceed 10 mil per side

Carrier Tape & Reel Dimensions SOT-26



Application	A	H	T1	C	d	D	W	E1	F
SOT-26	178.0±2.00	50 MIN.	8.4+2.00 -0.00	13.0+0.50 -0.20	1.5 MIN.	20.2 MIN.	8.0±0.30	1.75±0.10	3.5±0.05
	P0	P1	P2	D0	D1	T	A0	B0	K0
	4.0±0.10	4.0±0.10	2.0±0.05	1.5+0.10 -0.00	1.0 MIN.	0.6+0.00 -0.40	3.20±0.20	3.10±0.20	1.50±0.20

Application	Carrier Width	Cover Tape Width	Devices Per Reel
SOT -26	8	5.3	3000

(mm)



Tape and Specification Reel

SOT 26

