

PRODUCT BRIEF

KEY FEATURES

- ▶ Supports 1 Gb/s to 10.3 Gb/s optical data links over multi-mode fibers
- ▶ Multi-rate versions available
- ▶ Compact form-factor: Half the size of SFP transceivers
- ▶ Multiple modules can be mounted side-by-side on a Printed Circuit Board
- ▶ Built-in digital diagnostic functions
- ▶ Duplex LC optical connection
- ▶ Single 3.3V power supply
- ▶ Interoperable with standard SFP and SFP+ optical transceivers
- ▶ Meets applicable requirements for Gigabit Ethernet, 10 Gigabit Ethernet, and Fibre Channel

APPLICATIONS

- ▶ 10 Gigabit Ethernet
- ▶ 1 Gigabit Ethernet
- ▶ 8G Fibre Channel
- ▶ 4G Fibre Channel
- ▶ 2G Fibre Channel
- ▶ Proprietary high-speed data links

COMPACT 1 Gb/s to 10 Gb/s OPTICAL TRANSCEIVERS

OVERVIEW

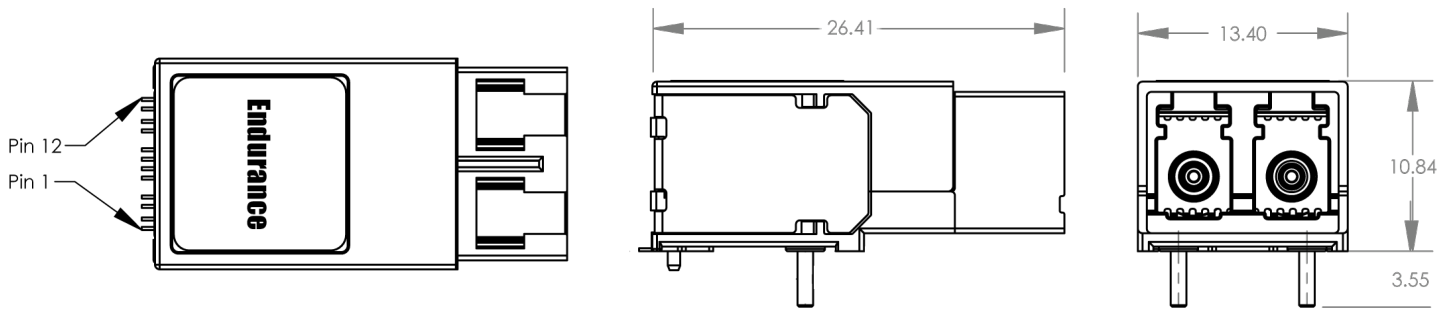
Endurance® is a family of compact transceiver modules designed for Fibre Channel and Ethernet optical data links. It utilizes Finisar's internally developed ICs, which enables the compact form-factor and low power consumption. Because Endurance has two through-hole mounting posts and the pins are soldered directly to the board, it does not use a host cage. The compact module saves valuable board space and allows multiple of them to be mounted side-by-side on a Printed Circuit Boards (PCB) for high-density port counts.

The simple serial interface is independent of protocol and can thus be used in a wide range of applications. Digital diagnostic functions for monitoring and control of the module are provided via a 2-wire serial interface.

KEY ADVANTAGES

- Saves valuable board space with its compact size
- Low power consumption, less than 0.6 Watts
- Utilizes Finisar's vertically integrated and highly reliable VCSEL technology and integrated circuit capabilities
- Board-mount solution guarantees equipment providers will capture the value of the optical module versus pluggable optics





Measurements are in mm

SPECIFICATIONS

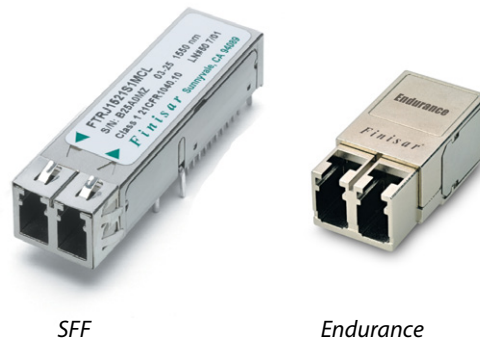
Parameter	Value
Supply Voltage	3.3 Volts
Supply Current, Max	180 mA
Tx Optical Wavelength	850 nm
Operating Temperature Range	0°C to +70°C
Link Distance	26 to 300 meters* (10 Gb/s) 70 to 150 meters* (4 Gb/s) 300 to 550 meters* (1 Gb/s)

*Dependent on multi-mode fiber type

PRODUCT SELECTION

Part Number	Description
FTE8510N1LCN	Endurance, 850nm, multi-mode, 10 GbE, 0°C to 70°C
FTE8508N1LCN	Endurance, 850nm, multi-mode, 8x/4x/2x Fibre Channel, 0°C to 70°C
FTE8504N1LCN	Endurance, 850nm, multi-mode, 1 GbE & 4x/2x/1x Fibre Channel, 0°C to 70°C

SIZE COMPARISON



SFF

Endurance