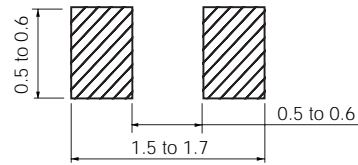
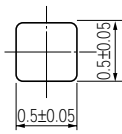
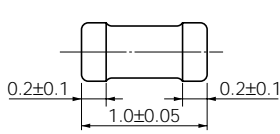


RF Type 1005 (0402)

● Dimensions in mm (not to scale)

● Recommended Land Pattern in mm (not to scale)



Standard Packing Quantity

● 10000 pcs./Reel

Standard Parts (E12 series)

Part No.	Inductance			Q		SRF *1 (MHz) min.	R _{DC} *2 (Ω) max.	DC Current (mA) max.	
	(nH)	Tolerance (%)		min.	Test Freq. (MHz)				
ELJRF1N0□FB	1.0	D : ±0.3 nH	Z : ±0.2 nH	100	8	100	6000	0.05	400
ELJRF1N2□FB	1.2						6000	0.06	400
ELJRF1N5□FB	1.5						6000	0.07	400
ELJRF1N8□FB	1.8						6000	0.08	400
ELJRF2N2□FB	2.2						6000	0.09	400
ELJRF2N7□FB	2.7						5500	0.10	400
ELJRF3N3□FB	3.3						5500	0.12	400
ELJRF3N9□FB	3.9						5200	0.15	360
ELJRF4N7□FB	4.7						4800	0.17	360
ELJRF5N6□FB	5.6						4600	0.19	340
ELJRF6N8□FB	6.8	J : ±5 %	G : ±2 %	100	8	100	4000	0.30	320
ELJRF8N2□FB	8.2						3500	0.35	320
ELJRF10N□FB	10						2800	0.41	320
ELJRF12N□FB	12						2800	0.45	320
ELJRF15N□FB	15						2500	0.60	240
ELJRF18N□FB	18						2200	0.70	240
ELJRF22N□FB	22						2000	0.80	200
ELJRF27N□FB	27						1800	1.20	200
ELJRF33N□FB	33						1800	1.40	170
ELJRF39N□FB	39						1800	1.70	150
ELJRF47N□FB	47	1800	2.10	140					
ELJRF56N□FB	56	1500	2.50	130					
ELJRF68N□FB	68	1500	4.00	120					
ELJRF82N□FB	82	1400	4.50	110					
ELJRF100□FB	100	1200	5.50	90					

□ : Symbol of Tolerance *1 : Self Resonant Frequency *2 : DC Resistance

Standard Parts (E24 series)

Part No.	Inductance			Q		SRF *1 (MHz) min.	R _{DC} *2 (Ω) max.	DC Current (mA) max.	
	(nH)	Tolerance (%)		min.	Test Freq. (MHz)				
ELJRF2N0□FB	2.0	D : ±0.3 nH	Z : ±0.2 nH	100	8	100	6000	0.08	400
ELJRF2N4□FB	2.4						6000	0.09	400
ELJRF3N0□FB	3.0						5500	0.11	400
ELJRF3N6□FB	3.6						5300	0.14	380
ELJRF4N3□FB	4.3						5000	0.16	360
ELJRF5N1□FB	5.1						4700	0.18	350
ELJRF6N2□FB	6.2	J : ±5 %	G : ±2 %	100	8	100	4300	0.25	330
ELJRF7N5□FB	7.5						3700	0.33	320
ELJRF9N1□FB	9.1						3100	0.38	320
ELJRF11N□FB	11						2800	0.43	320
ELJRF13N□FB	13						2600	0.53	280
ELJRF16N□FB	16						2300	0.65	240
ELJRF20N□FB	20						2100	0.75	220
ELJRF24N□FB	24						1900	1.00	200
ELJRF30N□FB	30						1800	1.30	190
ELJRF36N□FB	36						1800	1.60	160
ELJRF43N□FB	43	1800	1.90	150					

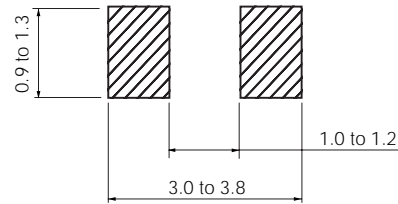
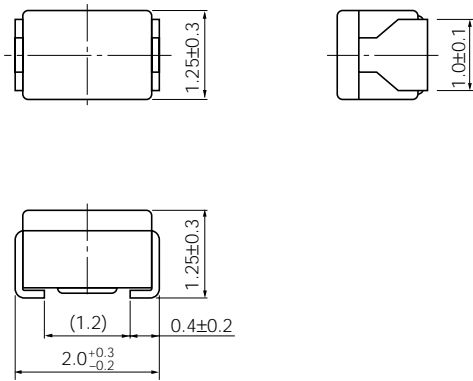
□ : Symbol of Tolerance *1 : Self Resonant Frequency *2 : DC Resistance

Design and specifications are each subject to change without notice. Ask factory for the current technical specifications before purchase and/or use. Should a safety concern arise regarding this product, please be sure to contact us immediately.

■ ND Type 2012 (0805)

● Dimensions in mm (not to scale)

● Recommended Land Pattern in mm (not to scale)



■ Standard Packing Quantity

● 3000 pcs./Reel

■ Standard Parts

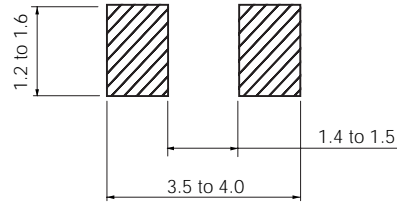
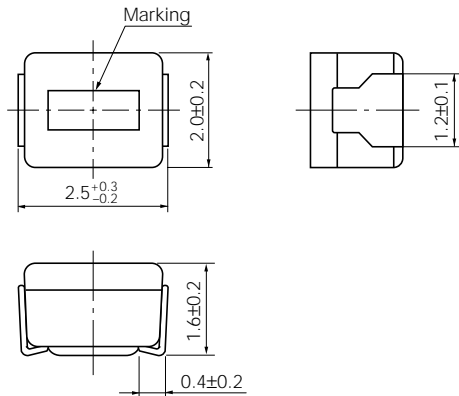
Part No.	Inductance			Q		SRF *1 (MHz) min.	R _{bc} *2 (Ω) max.	DC Current (mA) max.
	(nH)	Tolerance (%)	Test Freq. (MHz)	min.	Test Freq. (MHz)			
ELJND10N□F	10	K : ±10 %	100	10	100	3300	0.18	540
ELJND12N□F	12					3300	0.24	535
ELJND15N□F	15					3000	0.24	520
ELJND18N□F	18					3000	0.29	480
ELJND22N□F	22					2600	0.29	465
ELJND27N□F	27			2500		0.34	455	
ELJND33N□F	33			2050		0.39	395	
ELJND39N□F	39			2000		0.41	390	
ELJND47N□F	47			1650		0.46	385	
ELJND56N□F	56			1550		0.51	360	
ELJND68N□F	68			1450		0.57	340	
ELJND82N□F	82	1100	0.63	330				
ELJNDR10□F	100	K : ±10 % or J : ±5 %	25.2	8	25.2	800	0.86	285
ELJNDR12□F	120					600	0.99	275
ELJNDR15□F	150			600		1.47	230	
ELJNDR18□F	180			600		1.61	195	
ELJNDR22□F	220			500		1.84	170	
ELJNDR27□F	270			300		1.95	165	
ELJNDR33□F	330			200		2.16	160	
ELJNDR39□F	390			150		2.37	150	
ELJNDR47□F	470			150		2.56	145	
ELJNDR56□F	560			100		2.69	140	
ELJNDR68□F	680			100		3.02	130	
ELJNDR82□F	820	80	3.38	125				
ELJND1R0□F	1000	7.96	8	7.96	80	3.88	120	

□ : Symbol of Tolerance *1 : Self Resonant Frequency *2 : DC Resistance

■ NC Type 2520 (1008)

● Dimensions in mm (not to scale)

● Recommended Land Pattern in mm (not to scale)



■ Standard Packing Quantity

● 2000 pcs./Reel

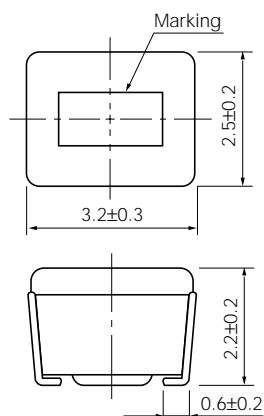
■ Standard Parts

Part No.	Inductance			Q		SRF *1 (MHz) min.	R _{bc} *2 (Ω) max.	DC Current (mA) max.
	(nH)	Tolerance (%)	Test Freq. (MHz)	min.	Test Freq. (MHz)			
ELJNC10N□F	10	K : ±10 %	100	10	100	2500	0.32	280
ELJNC12N□F	12					2200	0.34	270
ELJNC15N□F	15					1800	0.38	255
ELJNC18N□F	18					1550	0.40	250
ELJNC22N□F	22					1350	0.43	240
ELJNC27N□F	27					1150	0.47	230
ELJNC33N□F	33	K : ±10 % or J : ±5 %	25.2	15	25.2	1000	0.51	220
ELJNC39N□F	39					890	0.55	215
ELJNC47N□F	47					770	0.59	205
ELJNC56N□F	56					670	0.63	200
ELJNC68N□F	68					590	0.68	190
ELJNC82N□F	82					520	0.73	185
ELJNCR10□F	100					460	0.80	175
ELJNCR12□F	120					400	0.87	170
ELJNCR15□F	150					340	0.98	160
ELJNCR18□F	180					300	1.05	155
ELJNCR22□F	220					260	1.15	145
ELJNCR27□F	270					230	1.25	140
ELJNCR33□F	330	200	1.37	135				
ELJNCR39□F	390	180	1.47	130				
ELJNCR47□F	470	160	1.58	125				
ELJNCR56□F	560	145	1.70	120				
ELJNCR68□F	680	130	1.85	110				
ELJNCR82□F	820	100	2.10	100				

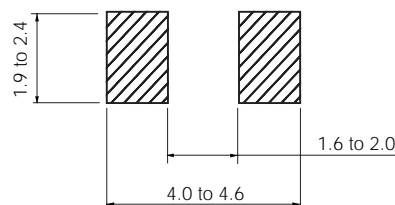
□ : Symbol of Tolerance *1 : Self Resonant Frequency *2 : DC Resistance

■ NA Type 3225 (1210)

● Dimensions in mm (not to scale)



● Recommended Land Pattern in mm (not to scale)



■ Standard Packing Quantity

● 2000 pcs./Reel

■ Standard Parts

Part No.	Inductance			Q		SRF *1 (MHz) min.	Rbc *2 (Ω) max.	DC Current (mA) max.
	(nH)	Tolerance (%)	Test Freq. (MHz)	min.	Test Freq. (MHz)			
ELJNA47N□F	47	M : ±20 %	100	10	100	680	0.20	450
ELJNA56N□F	56					600	0.22	420
ELJNA68N□F	68					540	0.25	400
ELJNA82N□F	82					500	0.27	380
ELJNAR10□F	100					450	0.30	360
ELJNAR12□F	120					25.2	400	0.67
ELJNAR15□F	150	350	0.72		230			
ELJNAR18□F	180	320	0.81		220			
ELJNAR22□F	220	280	0.90		210			
ELJNAR27□F	270	250	1.0		200			
ELJNAR33□F	330	K : ±10 % or J : ±5 %	25.2		220			1.1
ELJNAR39□F	390				200	1.2	180	
ELJNAR47□F	470			180	1.4	175		
ELJNAR56□F	560			160	1.5	170		
ELJNAR68□F	680			150	1.7	155		
ELJNAR82□F	820			135	1.9	145		
ELJNA1R0□F	1000	J : ±5 %	1	13	7.96	120	2.1	125
ELJNA1R2□F	1200					110	2.3	120
ELJNA1R5□F	1500					95	2.7	115
ELJNA1R8□F	1800					85	3.0	110
ELJNA2R2□F	2200					80	3.2	110
ELJNA2R7□F	2700					70	3.6	105
ELJNA3R3□F	3300					62	4.2	100
ELJNA3R9□F	3900					57	4.4	95
ELJNA4R7□F	4700					52	7.7	70
ELJNA5R6□F	5600					46	8.7	65
ELJNA6R8□F	6800					42	10	60
ELJNA8R2□F	8200					38	11	60

□ : Symbol of Tolerance *1 : Self Resonant Frequency *2 : DC Resistance

Design and specifications are each subject to change without notice. Ask factory for the current technical specifications before purchase and/or use. Should a safety concern arise regarding this product, please be sure to contact us immediately.