

DV 4114 N

# DC diagonal compact fan

sickled blades (S series)



## ebm-papst St. Georgen GmbH & Co. KG

Hermann-Papst-Str. 1

D-78112 St. Georgen

Phone +49 (0) 7724 81-0

Fax +49 (0) 7724 81-1309

info2@de.ebmpapst.com

www.ebmpapst.com

## Nominal data

| Type                     | DV 4114 N         |          |
|--------------------------|-------------------|----------|
| Nominal voltage          | VDC               | 24       |
| Nominal voltage range    | VDC               | 16 .. 30 |
| Speed                    | min <sup>-1</sup> | 6000     |
| Power input              | W                 | 20.5     |
| Min. ambient temperature | °C                | -20      |
| Max. ambient temperature | °C                | 65       |
| Air flow                 | m <sup>3</sup> /h | 280      |
| Sound power level        | B                 | 6.9      |
| Sound pressure level     | dB(A)             | 61       |

ml = Max. load · me = Max. efficiency · fa = Running at free air · cs = Customer specs · cu = Customer unit  
Subject to alterations



**Technical features**

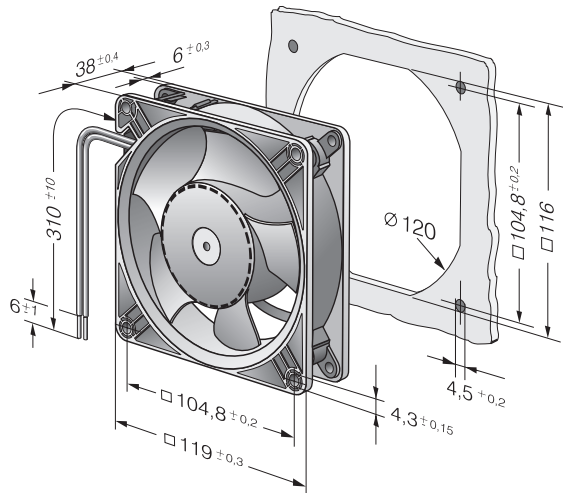
|  |   |
|--|---|
| <b>Housing material</b>                    | Fibreglass-reinforced plastic (PBT)                 |
| <b>Impeller material</b>                   | Fibreglass-reinforced plastic (PA)                  |
| <b>Mass</b>                                | 0.375 kg  |
| <b>Dimensions</b>                          | 119 x 119 x 38 mm                                   |
| <b>Direction of air flow</b>               | Air exhaust over bars                               |
| <b>Direction of rotation</b>               | Left, looking at rotor                              |
| <b>Bearing</b>                             | Ball bearings                                       |
| <b>Lifetime L10 at 40 °C</b>               | 70000 h   |
| <b>Lifetime L10 at maximum temperature</b> | 40000 h   |
| <b>Connection line</b>                     | Single strands AWG 22, TR 64, bared and tin-plated. |
| <b>Motor protection</b>                    | Protected against reverse polarity and locking.     |
| <b>Locked-rotor protection</b>             | With electronic blocking and overload protection    |
| <b>Approval</b>                            | VDE, CSA, UL, CE                                    |

DV 4114 N

# DC diagonal compact fan

sickled blades (S series)

## Product drawing



Charts: Air flow

