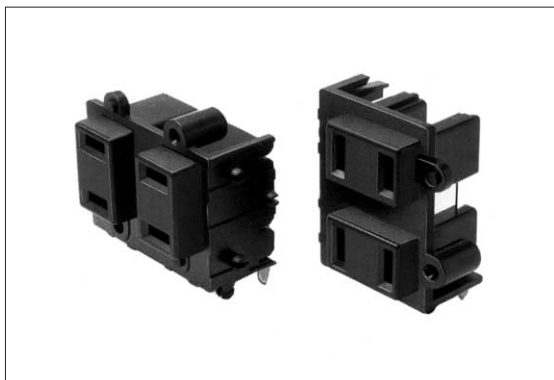


Power Connectors



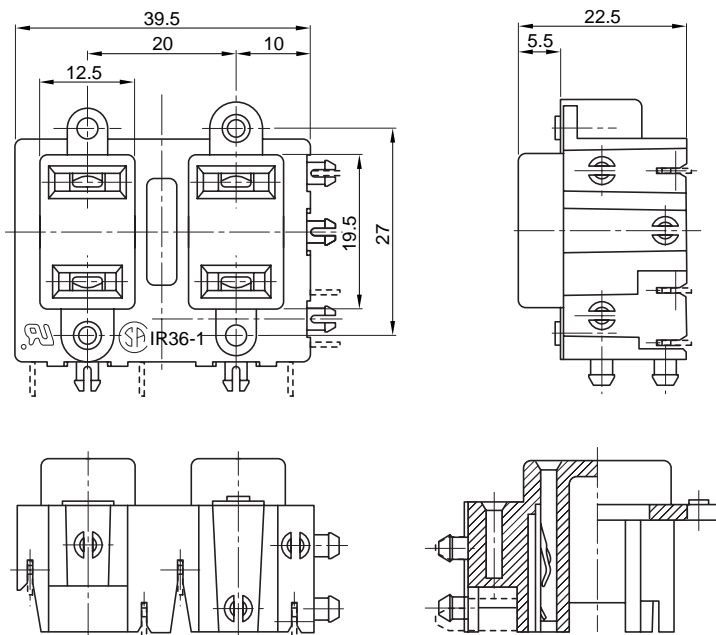
CCT1304-□□□□F

Serial No.
 0 : Horizontal
 1 : Vertical
 01 : Non-polarized (neutral)
 02 : Polarized

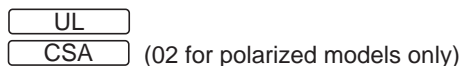
2-section AC Outlet (PS-2 Series)

■ Specification

1. Rating : 15A, 125V AC
2. Contact Resistance : 50mΩ max.
3. Insulation Resistance : 300MΩ min. at 500V DC
4. Withstanding Voltage : 2000V AC (for one minute)
5. Operating Temperature Range : -20°C to +80°C
6. Main Unit Material : Thermoplastic Resin, Black, 94V-1
7. Catalog No. : IR36 (CCT1304-01□□F)
 IR36-1(CCT1304-02□□F)



Approval Standards:



■ Note

1. Independent type from the printed circuit board.
2. Can be fixed to the chassis with two tapping screws (3mm).

1. プリント基板に自立する構造です。
2. シャーシに2ヶ所のタッピングネジ (3mm) で固定できます。

Mounting Direction	Serial No.	Terminal Layout	P.C. Board Dimension (Top View) t=1.6	Mounting Holes for Panel
Horizontal	1			
	0			
Vertical	1			
	1			