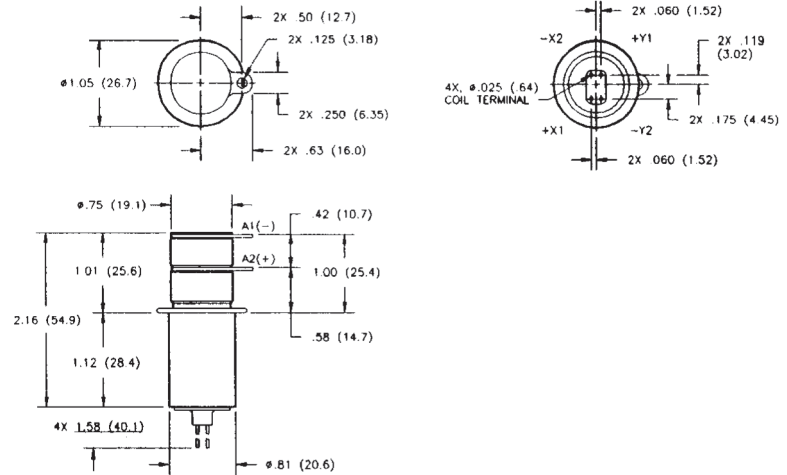
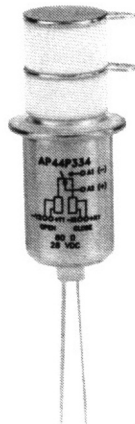


AP44P — 15 Amps

Product Facts

- 15 A make and break @ 270 Vdc
- 45 A carry
- 60 A overload rating
- Ideal for high voltage applications from 28 to 270 Vdc
- Latching actuator for low power consumption
- 2000 V isolation across open contacts
- Small size and weight
- Space-rated version built in accordance with customers SCD
- Meets many requirements of MIL-PRF-32085



Product Specifications

Contact Arrangement — SPST Latching
Contact Form — P
Rated Resistive Load @ 270 Vdc — 15 A*
Continuous Current Carry, Max. — 45 A
Overload @ 270 Vdc — 60 A
Contact Resistance, Max. — 10 mohm
Dielectric at Sea Level — Coil to Case — 500 Vrms
 All Other Points — 2,000 Vrms

Shock, 11ms, 1/2 Sine (Peak) — 50 g
Vibration, Sinusoidal (55-2000 Hz, Peak) — 15 g**
Operating Ambient Temperature Range — -55°C to +85°C
Load Life @ 270 Vdc, Min. — 5,000 cycles
Operate Time, Excluding Bounce, Max. — 2 ms
Release Time, Max. — N/A
Bounce Time, Max. — 3 ms

Latch/Reset Time, Including Bounce, Max. — 5 ms
Insulation Resistance @ 500 Vdc, Min. — Initial — 100 mohm
 End of Life — 50 mohm
Weight, Nominal — 43 gram (1.5 oz.)

Notes:

*The load terminals should always be connected as follows: Common Contact +; Other Contact -.

Coil Data

AP44P	28 Latching
Latch, Max.	22 Vdc
Reset, Max.	22 Vdc
Coil Resistance ($\pm 10\%$)	80 Ω

Coil resistance rated at 25°C

Ordering Information

Sample Part Number ▶ **AP44 P 3 3 4**

Series: _____

Contact Form: _____
 P = SPST Latching

Coil Voltage: _____
 3 = 28 Vdc, Bus Wire

Power Terminals: _____
 3 = Solder Connection

Mounting: _____
 4 = Standard

For factory-direct application assistance, dial 800-253-4560, ext. 2055, or 805-220-2055.