

120mm sq.**San Ace 120**

25mm thick, 25mm thick (with Sensor)

38mm thick, 38mm thick (with Sensor)



Certifications vary by model no. Please refer to p. 4.

General Specifications

- Material..... Frame: Aluminum, Impeller:Plastics (Flammability: UL94V-1)
- Expected Life Refer to specifications (L10:Survival rate: 90% at 60°C , rated voltage,and continuously run in a free air state)
- Dielectric Strength 50/60Hz 1,500VAC 1minute (between input terminal and frame)
- Dielectric Strength (With Sensor) ... Between AC input and DC input(Sensor output)
: 50/60Hz 1,000VAC 1minute
Between AC input and G
: 50/60Hz 1,500VAC 1minute,
Between G and DC input(Sensor output)
: 50/60Hz 1,000VAC 1minute
- Sensor-Purpose Lead Wire ... ⊕ brown ⊖ black (Sensor) yellow
- Storage Temperature -30°C to +70°C (Non-condensing)
- Operating Voltage Range ... Voltage of each model ±10%

120×120×38mm [Mass : 550g / 580g (with Sensor)]**Specifications Standard** ※ represents low-speed.

Model No.	Voltage [V]	Frequency [Hz]	Input [W]	Current [A]	Locked Rotor Current [A]	Rated Speed [min ⁻¹]	Max. Air Flow [m ³ /min] [CFM]	Max. Static Pressure [Pa] [inchH ₂ O]	SPL [dB(A)]	Operating Temperature [°C]	Expected Life [h]	
109S075UL	100	50/60	18/16	0.24/0.21	0.32/0.28	2,700/3,100	2.5 /2.9 88.3/102.5	57.9/68.7 0.233/0.276	42/45	-30 to +60	25,000	
109S074UL	115			0.21/0.18	0.27/0.24							
109S078UL	200			0.12/0.1	0.16/0.14							
109S072UL	230			0.11/0.09	0.14/0.13							
109S005	100		14/12	0.18/0.16	0.25/0.22	2,700/3,100	2.35/2.7 83 / 95.4	55.9/65.7 0.224/0.264	40/43			
109S005UL	100			0.16/0.14	0.21/0.18							
109S024	120			0.09/0.08	0.13/0.11							
109S024UL	115			0.08/0.07	0.11/0.09							
109S008	200		14/12	0.18/0.16	0.23/0.21	2,450/2,700	2.15/2.35 76 / 83	44.1/49.0 0.177/0.197	38/40			
109S008UL	200			0.16/0.14	0.16/0.15							
109S025	230			0.09/0.08	0.13/0.11							
109S025UL	230			0.08/0.07	0.11/0.09							
109S029UL	100		10/10	14/12	0.18/0.16	0.23/0.21	2,450/2,700	2.15/2.35 76 / 83	44.1/49.0 0.177/0.197			38/40
109S013	100			13/11	0.16/0.14	0.16/0.15	1,800/2,000	1.55/1.75 54.8/ 60.8	23.5/26.4 0.094/0.106			30/32
109S013UL	100			7/7	0.1 /0.09	0.1 /0.09	1,650/1,700	1.45/1.5 51.2/ 53	17.6/17.6 0.071/0.071			28/28
109S006 ※	115			10/10	0.13/0.11	0.13/0.11	1,800/1,900	1.56/1.64 55 / 57.9	20 /20.6 0.080/0.083			30/31
109S006UL※	115	7/7	7/7	0.1 /0.09	0.1 /0.09	1,650/1,700	1.45/1.5 51.2/ 53	17.6/17.6 0.071/0.071	28/28			
109S010 ※	200		0.05/0.04	0.05/0.04	1,650/1,700	1.45/1.5 51.2/ 53	17.6/17.6 0.071/0.071	28/28				
109S010UL※	200		11/11	0.06/0.05	0.06/0.05	1,800/1,950	1.58/1.68 55.8/ 59.3	20.6/21.6 0.083/0.087	30/32			
109S010UL※	240		11/11	0.06/0.05	0.06/0.05	1,800/1,950	1.58/1.68 55.8/ 59.3	20.6/21.6 0.083/0.087	30/32			

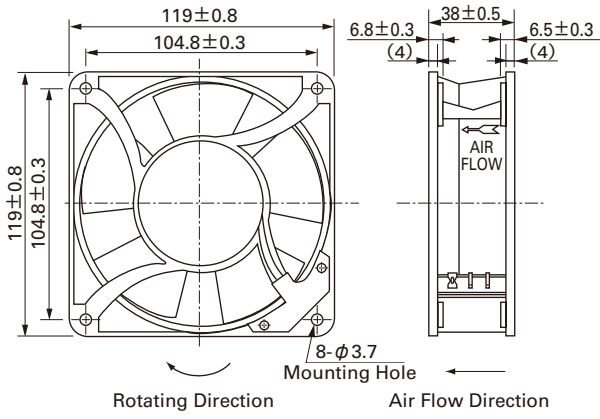
with Sensor ※ represents low-speed.

Model No.	Voltage [V]	Frequency [Hz]	Input [W]	Current [A]	Locked Rotor Current [A]	Rated Speed [min ⁻¹]	Max. Air Flow [m ³ /min] [CFM]	Max. Static Pressure [Pa] [inchH ₂ O]	SPL [dB(A)]	Operating Temperature [°C]	Expected Life [h]	
109S405UL	100	50/60	14/12	0.18/0.16	0.25/0.22	2,700/3,100	2.35/2.7 83/95.4	55.9/65.7 0.224/0.264	40/43	-10 to +60	25,000	
109S424UL	115			0.16/0.14	0.21/0.18							
109S408UL	200			0.09/0.08	0.13/0.11							
109S425UL	230			0.08/0.07	0.11/0.09							
109S429UL	100		7/6	0.18/0.16	0.23/0.21	2,450/2,700	2.15/2.35 76/83	44.1/49.0 0.177/0.197	38/40			
109S406UL※	100			0.09/0.08	0.1 /0.09	1,650/1,700	1.45/1.5 51/53	17.7/17.7 0.071/0.071	28/28			
109S475UL	100		18/16	18/16	0.24/0.21	0.32/0.28	2,700/3,100	2.5 /2.9 88.3/102.4	57.9/68.7 0.233/0.276			42/45
109S474UL	115				0.21/0.18	0.27/0.24						
109S478UL	200				0.12/0.1	0.16/0.14						
109S472UL	230				0.11/0.09	0.14/0.13						

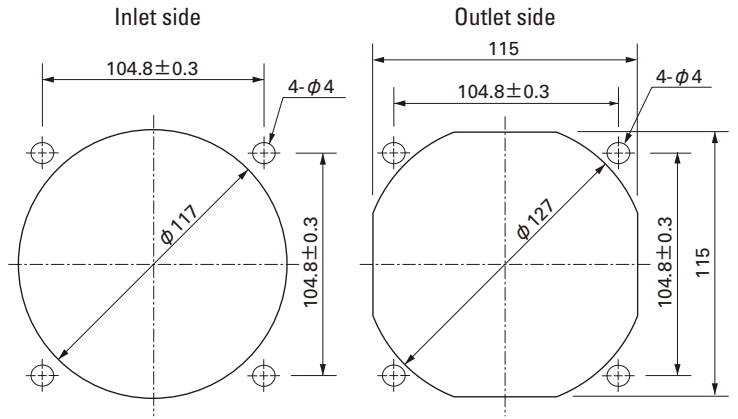
Two types of power supplies, 5V and 12V, are available in fans with sensor attached.

Dimensions (Unit : mm)

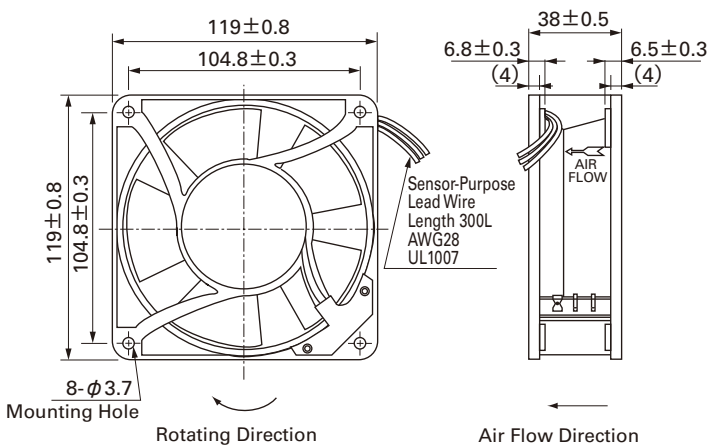
Standard



Reference Dimension of Mounting Holes and Vent Opening (Unit : mm)

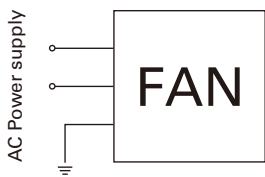


with Sensor



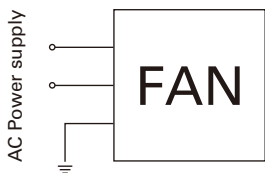
Wiring Diagram

Standard

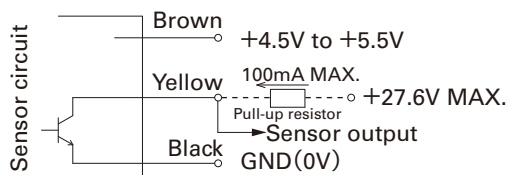


with Sensor

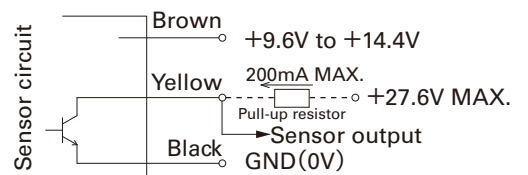
(For fan power supply)



5V



12V



GND (Black) should be shared in case that power supply for sensor circuit (Brown) and that for sensor pull-up (Yellow) are separated.

120mm sq.

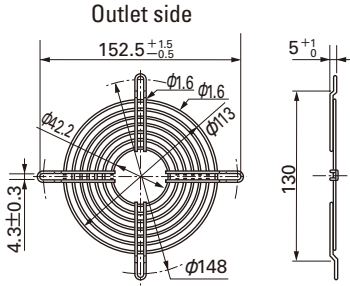
San Ace 120

120×120×38mm [Mass : 550g / 580g (with Sensor)]

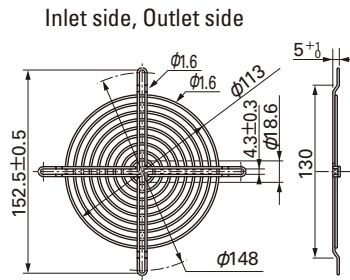
Options (Unit : mm)

Finger guards

Model : 109-019C Surface treatment : Nickel-chrome plating (silver) Color
 : 109-019H : Cation electropainting (black)

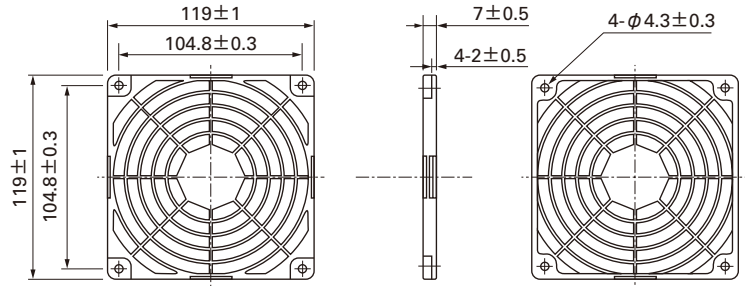


Model : 109-019E Surface treatment : Nickel-chrome plating (silver) Color
 : 109-019K : Cation electropainting (black)



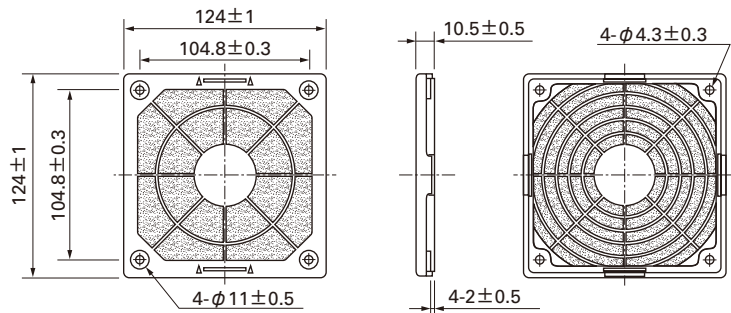
Resin finger guards

Model : 109-1000G



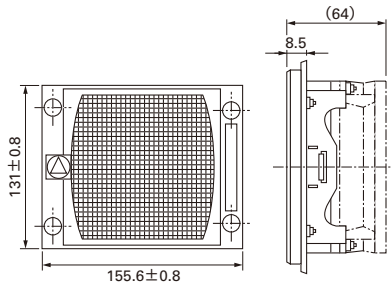
Resin filter kits

Model : 109-1000F13 (13PPI), 109-1000F20 (20PPI), 109-1000F30 (30PPI), 109-1000F40 (40PPI)



Filter kits

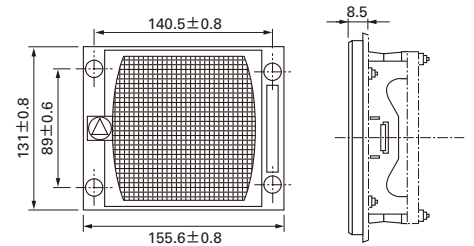
Model : 109-018 Applicable models : AC Fan 120×120×38mm



Neither filterkit nor screenkit can be installed on fans with sensor.

Screen kits

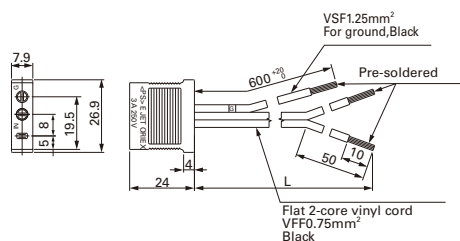
Model : 109-020 Applicable models : AC Fan 120×120×38mm



Plug cord

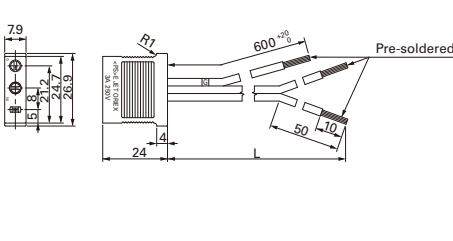
Exclusive for fans without UL at the end of the model number.

(Products compliant with Electrical Appliance and Material Safety Law)
 Model : 489-006-L10/489-006-L21/489-006-L35



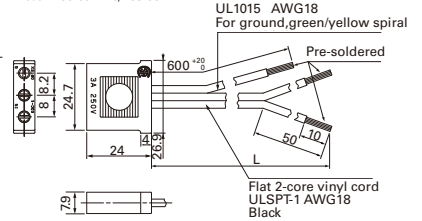
Exclusive for fans with UL at the end of the model number.

(Products compliant with Electrical Appliance and Material Safety Law)
 Model : 489-037-L10/489-037-L21/489-037-L35



(UL/CSA CERTIFIED)

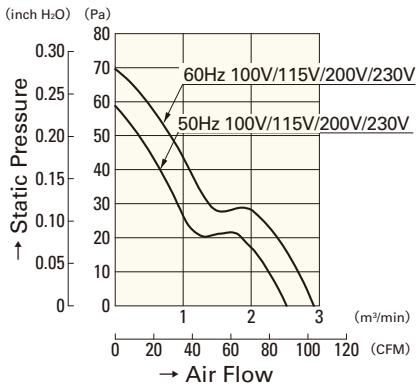
UL FILE No.E50197 CSA FILE No.LR67048
 Model : 489-007-L10/489-007-L21



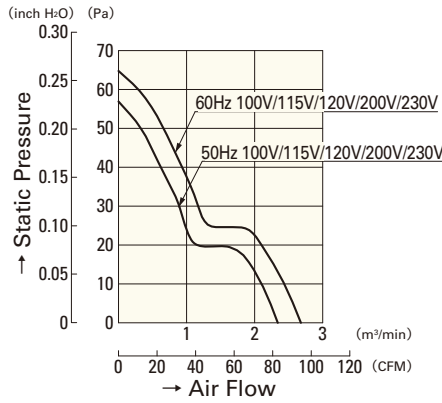
Model	Power cord length(mm)
- L10	1,000
- L21	2,100
- L35	3,500

Air Flow - Static Pressure Characteristics

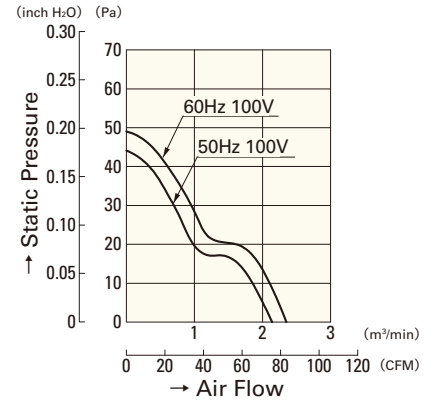
Standard



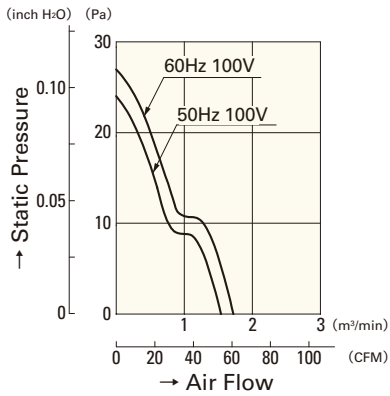
109S075UL	109S074UL
109S078UL	109S072UL



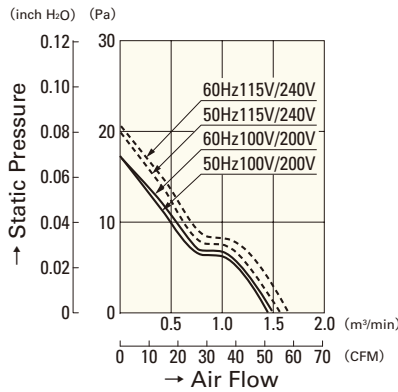
109S005	109S005UL
109S024	109S024UL
109S008	109S008UL
109S025	109S025UL



109S029UL

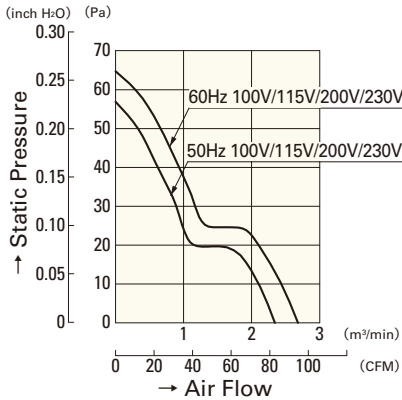


109S013
109S013UL

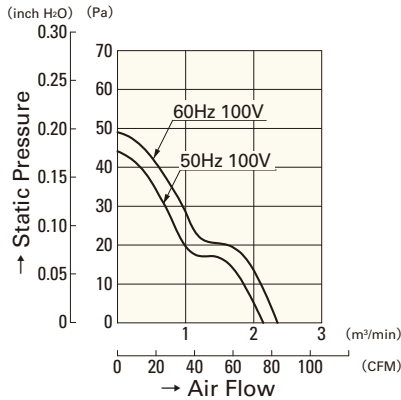


109S006	109S006UL
109S010	109S010UL

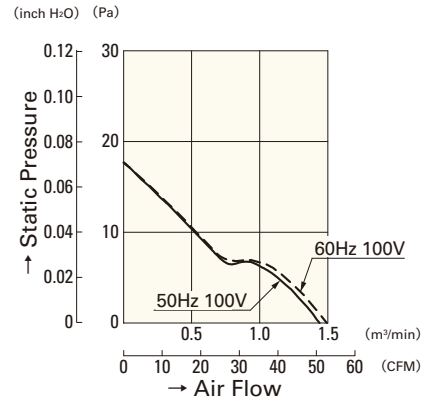
with Sensor



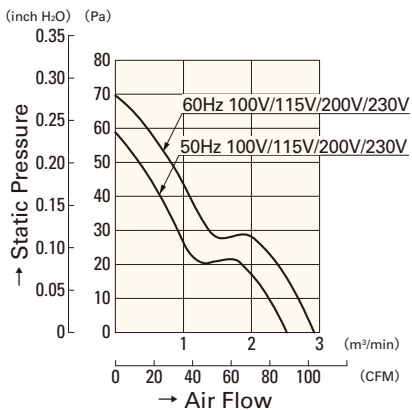
109S405UL	109S424UL
109S408UL	109S425UL



109S429UL



109S406UL



109S475UL	109S474UL
109S478UL	109S472UL