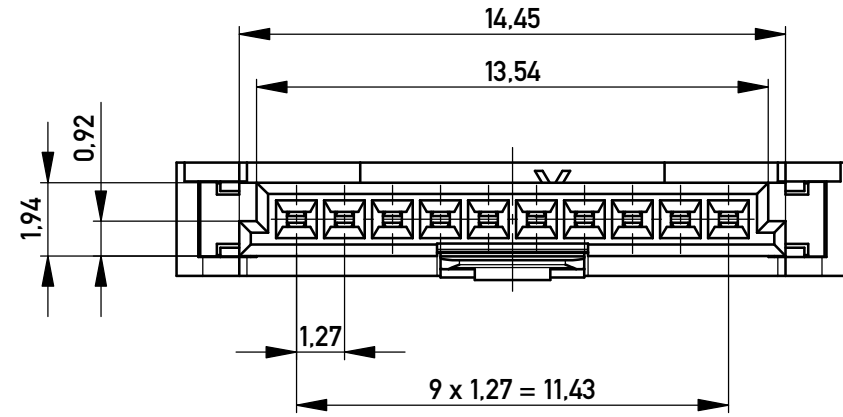
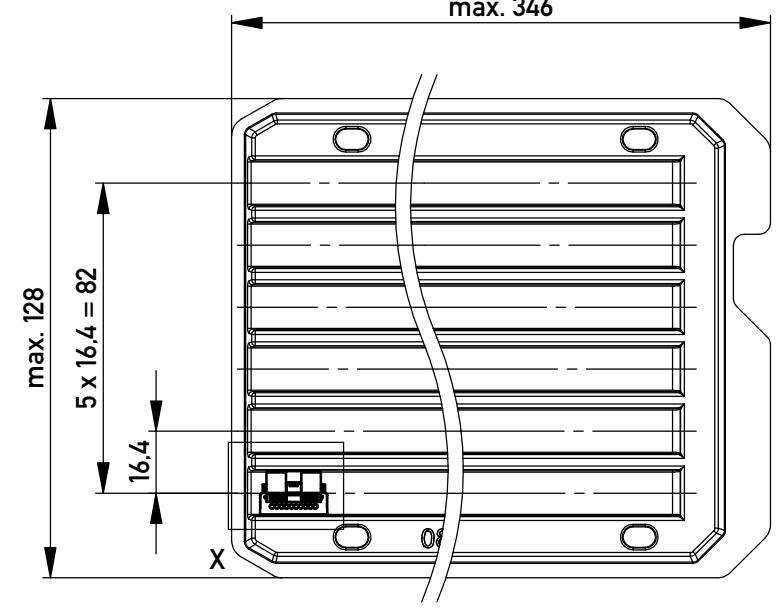


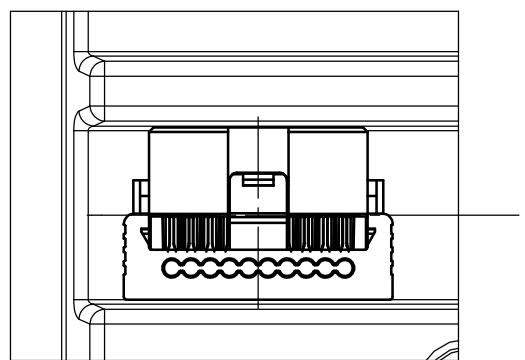
Kabelführung: rot
cable guide: red



Verpackt in Tray - tray packaging
Verpackungseinheit 102 Stück - packaging unit 102 pcs
max. 346



Einzelheit X - detail X
M 2:1



nur mit Hilfsmittel lösbar
only with tool unlockable

Information:		Tolerances	 All Dimensions in mm	Scale	5:1	
All rights reserved. Only for Information. To ensure that this is the latest version of this drawing, please contact one of the ERNI companies before using.		Subject to modification without prior notice. Drawing will not be updated.		Designation	1,27 SRC P SKV, 10-polig 1,27 SRC P IDC, 10-pin	
 www.ERNI.com					100103390001	I
a	13.01.2014					A3
Index	Date			Class	SRCP	

Copyright by ERNI GmbH
Proprietary notice pursuant to ISO 16016 to be observed.