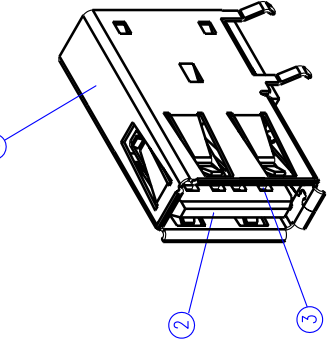


1 2 3 4 5 6 7 8

REV.	EC#	DESCRIPTION	DATE	DRAWN	CHECKED	APPROVED
F	ECR-03124	△ X4	07/28/03'	YEN	~	MAX
G	SZECR-04258	△ X1	05/29/04'	LONG	~	TOM
H	ECR-04174	MODIFY P/N △ X1	12/24/04'	JERRY	~	MAX
I	SZECR05444	△ X1,AX1	10/05/05'	CHP	FLYING	TOM
J	SZECR05449	△ X1,AX1	10/07/05'	ARPPING	FLYING	TOM
K	SZECR08077	△ X2,MX2	03/17/08'	LYP	FLYING	FLYING

**A**



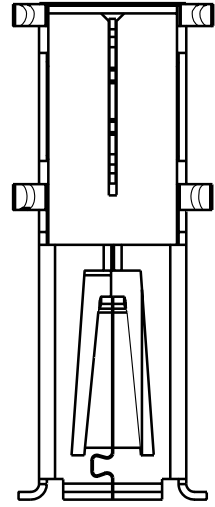
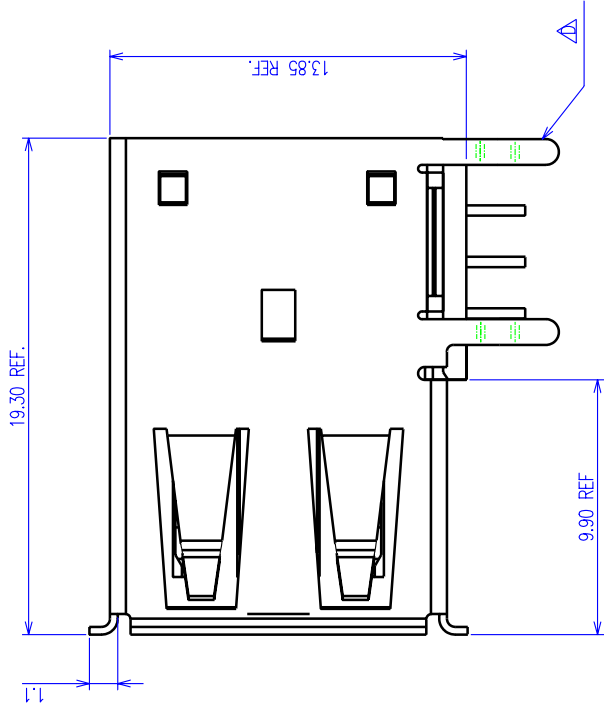
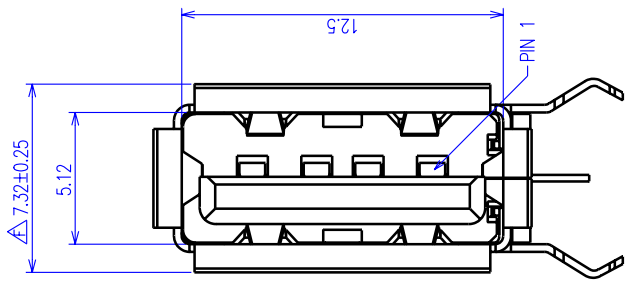
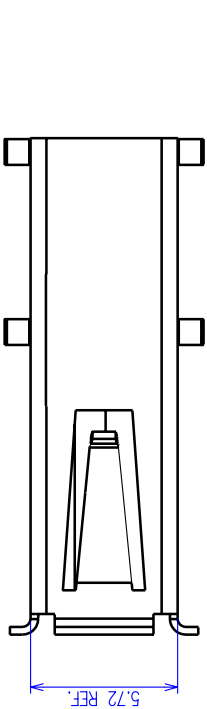
**B**

**C**

**D**

**E**

**F**



3	CONTACT	4	T-UAR80-14X00	COPPER ALLOY/SELECTIVE GOLD PLATING(REFER TO "TABLE A")																						
2	HOUSING	1	I-UAR80-14XX0	THERMOPLASTIC, GLASS FILLED, UL 94V-0 RATED																						
1	SHELL	1	S-UAR80-14XXX	COPPER ALLOY/PLATED SEE TABLE A																						
ITEM	NAME	QTY	PART#	MATERIAL / FINISH																						
<table border="1"> <thead> <tr> <th>TOLERANCES UNLESS OTHERWISE SPECIFIED:</th> <th>DATE</th> </tr> </thead> <tbody> <tr> <td>GENERAL</td> <td>Stonily 01/10/00'</td> </tr> <tr> <td>FRACTION</td> <td>X .005</td> </tr> <tr> <td>DECIMAL</td> <td>X .005</td> </tr> <tr> <td>ANGLES</td> <td>X .005</td> </tr> <tr> <td>ANGLES</td> <td>X .005</td> </tr> <tr> <td>ANGLES</td> <td>X .005</td> </tr> <tr> <td>ANGLES</td> <td>X .005</td> </tr> <tr> <td>SCALE</td> <td>5 : 1</td> </tr> <tr> <td>SHEET</td> <td>1 of 2</td> </tr> <tr> <td>UNIT</td> <td>mm</td> </tr> </tbody> </table>					TOLERANCES UNLESS OTHERWISE SPECIFIED:	DATE	GENERAL	Stonily 01/10/00'	FRACTION	X .005	DECIMAL	X .005	ANGLES	X .005	ANGLES	X .005	ANGLES	X .005	ANGLES	X .005	SCALE	5 : 1	SHEET	1 of 2	UNIT	mm
TOLERANCES UNLESS OTHERWISE SPECIFIED:	DATE																									
GENERAL	Stonily 01/10/00'																									
FRACTION	X .005																									
DECIMAL	X .005																									
ANGLES	X .005																									
ANGLES	X .005																									
ANGLES	X .005																									
ANGLES	X .005																									
SCALE	5 : 1																									
SHEET	1 of 2																									
UNIT	mm																									
<table border="1"> <thead> <tr> <th>DATE</th> <th>TITLE</th> <th>SERIES</th> <th>REV.</th> </tr> </thead> <tbody> <tr> <td>01/10/00'</td> <td>Stonily</td> <td>UAR80 SERIES</td> <td>A3</td> </tr> <tr> <td>01/10/00'</td> <td>Stonily</td> <td>UAR80 SERIES</td> <td>K</td> </tr> <tr> <td>02/18/00'</td> <td>Roger</td> <td>UAR80 SERIES</td> <td>K</td> </tr> <tr> <td>02/18/00'</td> <td>Roger</td> <td>UAR80 SERIES</td> <td>K</td> </tr> </tbody> </table>					DATE	TITLE	SERIES	REV.	01/10/00'	Stonily	UAR80 SERIES	A3	01/10/00'	Stonily	UAR80 SERIES	K	02/18/00'	Roger	UAR80 SERIES	K	02/18/00'	Roger	UAR80 SERIES	K		
DATE	TITLE	SERIES	REV.																							
01/10/00'	Stonily	UAR80 SERIES	A3																							
01/10/00'	Stonily	UAR80 SERIES	K																							
02/18/00'	Roger	UAR80 SERIES	K																							
02/18/00'	Roger	UAR80 SERIES	K																							
<p><b>ACON</b> ADVANCED - CONNECTEK INC.</p> <p>USB TYPE A (RECEPTACLE R/A, THRU-HOLE 4 POS.)</p> <p>CUSTOMER DRAWING</p>																										

All materials meet the ACON's spec. environment-related substances management technical standard.

This document and information contained herein are the property of Advanced Connectek Inc., copies are issued in strict confidence and shall not be reproduced or copied, or used as the basis of manufacture or sale of apparatus without permission.

TABLE A: PRODUCT NUMBERING CODE:

UARB8X- 4 X X X X 0  
 ① ② ③ ④ ⑤ ⑥

- ① UARB80: W/O BACKSHELL  
 UARB1: WITH BACKSHELL (N/A)
- ② POSITIONS:  
 4: 4 POSITIONS
- ③ COLOR OF HOUSING:  
 K-BLACK  
 W-WHITE
- ④ CONTACT GOLD PLATING THICKNESS:  
 2.5μ GOLDING  
 5.30μ GOLDING  
 6.2μ Min Au/30μ Min. Pd-Ni
- ⑤ SHELL FINISH:  
 1: Cu+TIN/LEAD  
 3: Cu+TIN/LEAD WITH "ACON"  
 J: Cu+Ni  
 C: Ni / Tin W/O LOGO  
 G: Ni / Tin WITH "ACON" LOGO
- ⑥ MATERIAL OF HOUSING :  
 0 : PBT  
 1 : PA-6T
- ⑦ SHELL TYPE:  
 0 : STANDARD  
 1 : TYPE II

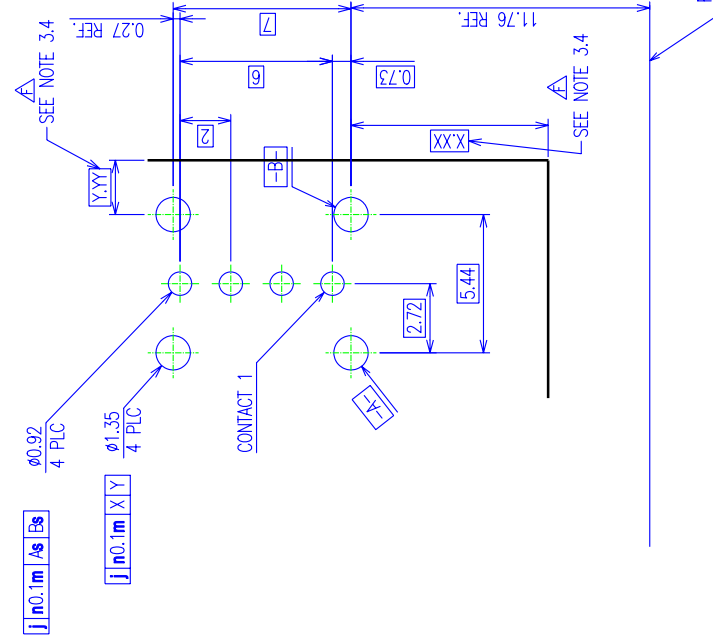


FIGURE B: PC BOARD MOUNTING DIMENSIONS

- NOTES :
- 1.0. RATING :
    - 1.1. VOLTAGE : 30 VAC (R.M.S.)
    - 1.2. CURREN : 1.5 AMPERE MAXIMUM PER CONTACT AT 30°C T-RISE
    - 1.3. TEMPERATURE : -55°C TO +85°C
  - 2.0. ELECTRICAL CHARACTERISTIC :
    - 2.1. CONTACT RESISTANCE : 30 MILLIOHMS MAXIMUM INITIAL
    - 2.2. INSULATION RESISTANCE : 1,000 MEGOHMS MINIMUM
    - 2.3. DIELECTIC WITHSTANDING VOLTAGE : 500 VAC AT SEE LEVEL
  - 3.0. OTHERS :
    - 3.1. PRODUCT NUMBERING CODE : REFER TO TABLE A
    - 3.2. RECOMMENDED PC BOARD THICKNESS OF 1.60mm
    - 3.3. RECOMMENDED PC BOARD MOUNTING DIMENSION : REFER FIGURE B

④ DATUM AND BASIC DIMENSIONS ESTABLISHED BY CUSTOMER.

 ADVANCED-CONNECTEK INC.		DATE: 01/10/00 DRAWN: Stantly CHECKED: Stantly APPROVED: Roger
TITLE: USB TYPE A (RECEPTACLE R/A THRU-HOLE 4 POS.)		DATE: 01/10/00 DATE: 02/18/00 DATE: 02/18/00
SERIES: UARB80 SERIES	PART NO.: C-UARB80-00-00	REV: A3
CUSTOMER DRAWING		

All materials meet the ACON's spec. environment-related substances management technical standard

This document and information contained herein are the property of Advanced Connectek Inc., copies are issued in strict confidence and shall not be reproduced or copied, or used as the basis of manufacture or sale of apparatus without permission