

Negative LDO Regulator IC with On/Off Control TK721xxM

DESCRIPTION

The TK721xxM is a negative output low dropout linear regulator with ON/OFF control, which can supply 150mA load current. The output voltage, trimmed with high accuracy, is available from -2.0 to -7.0V in 0.1V steps.

FEATURES

- High Voltage Accuracy $\pm 2.0\%$ or $\pm 60\text{mV}$
- Very Low Dropout Voltage: $V_{\text{drop}}=220\text{mV}$ at $I_{\text{OUT}}=60\text{mA}$
- Active Low On/Off Control
- Excellent Ripple Rejection Ratio: -55dB at 400Hz
- Very Low Noise with Noise Bypass pin
- Short Circuit Protection (Over Current Protection)
- Thermal Shutdown (Over Heat Protection)
- Reverse Bias Protection

APPLICATIONS

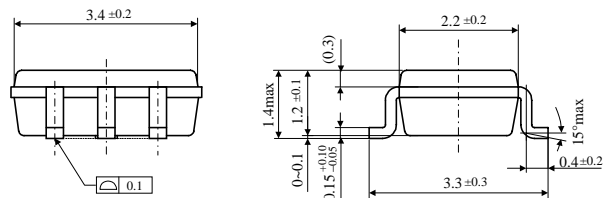
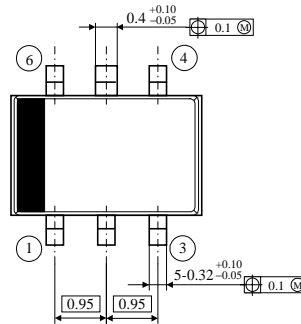
- Battery Powered Systems
- Mobile Communication Systems:
 Cordless Phone, GSM, PHS, PDC, CDMA,
 Base Station of Mobile Phones etc.
- Industrial Equipment:
 Personal Computer, Barcode Reader etc.
- Measurement System etc.

ELECTRICAL CHARACTERISTICS

Parameter	Symbol	Value (TYP)	Unit
Operating Voltage Range	V_{OP}	-2.8~-12.5	V
Operating Temp. Range	T_{OP}	-30~+80	°C
Dropout Voltage	V_{drop}	220@ $I_{\text{out}}=60\text{mA}$	mV
Output Current	I_{out}	150	mA
Maximum Output Current	I_{outMAX}	230	mA
Supply Current	I_{CC}	250.0	μA
Standby Current	I_{standby}	20.0	μA
Control Current	I_{cont}	6.0	μA
Control Voltage	V_{cont}	~0.3: V_{out} on	V
		1.5~: V_{out} off	

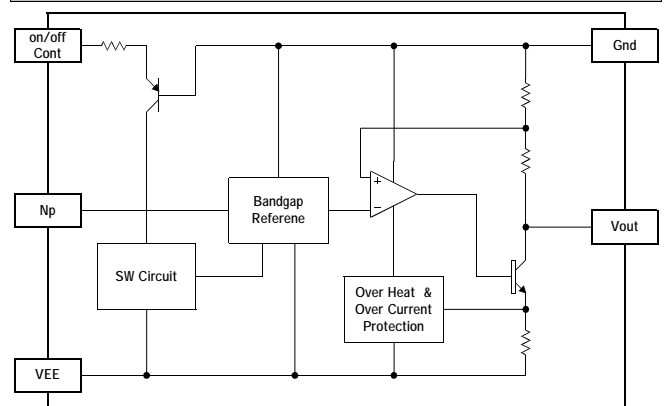
PACKAGE OUTLINE

■ SOT23L-6



Unit : mm

BLOCK DIAGRAM



⚠ Note that the contents are subject to change or discontinuation without notice. When placing orders, please confirm specifications and delivery condition in writing.