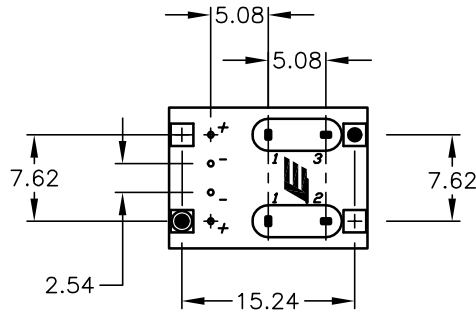
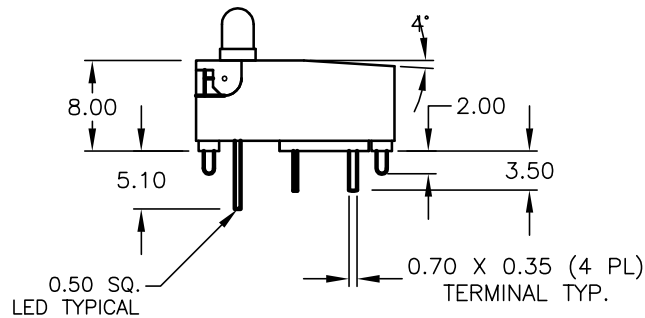
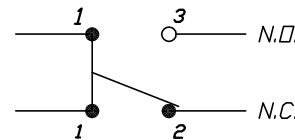


RECOMMENDED P.C.B. LAYOUT



LED SPECIFICATION	SYMBOL	YELLOW L.E.D			GREEN L.E.D			UNITS
		MAX.	MIN.	TYP.	MAX.	MIN.	TYP.	
POWER DISSIPATION	P _D	100	--		100	--		mW
FORWARD VOLTAGE	V _F	2.8	1.8	2.1	2.8	1.9	2.2	V
REVERSE VOLTAGE	V _R	5			5			V
EMISSION WAVELENGTH	λ _P			590			570	nm
AVE. FORWARD CURRENT	I _{AF}	30	--		30	--		mA
LUMINOUS INTENSITY	I _v	5.0		12	6.0		15	mcd



CIRCUIT: SPDT
CONTACT CONFIGURATION

NOTES:

1. ALL DIMENSIONS IN MM
2. GENERAL TOLERANCE: X.X=±0.4
X.XX=±0.25
3. TERM. NO. FOR REF. ONLY
4. RATING: 12mA @24V
5. FIXED CONTACT/MOVING CONTACT:
COPPER ALLOY W/GOLD PLATE
6. CONTACT BOUNCE: <5m SEC.
7. CONTACT RESISTANCE: <50milli-OHMS

B	13739	CORRECT CALLOUT	10/7/03	AR
A	13513	RELEASED FOR PRODUCTION	10/7/03	AR
REV.	ECN No.	DESCRIPTION	DATE	CHKD

THE INFORMATION CONTAINED IN THIS DOCUMENT IS PROPRIETARY TO E-SWITCH AND IS NOT TO BE COPIED OR TRANSFERRED

E-SWITCH®

TITLE
5500STDBODYYYELGRN

SCALE 1.5:1	DATE 10/7/03	DR AR	DWG R010004	REV B
----------------	-----------------	----------	----------------	----------