

### Features

- IEEE 802.3 Ethernet compatible
- Dual channel 16-pin SMD
- RoHS compliant\*

### Applications

- Ethernet

## PT61018L LAN 10/100 Base-Tx

### Electrical Specifications @ 25 °C

Inductance - Open Circuit... 350  $\mu$ H min.  
 (100 KHz, 0.2 V with 8 mA DC bias)  
 Turns Ratio ( $\pm 2$  %)  
 .....TX 1CT : 1CT; RX 1CT : 1 CT  
 Leakage Inductance..... 0.5  $\mu$ H max.  
 DCR..... 0.9 ohms max.  
 Insertion Loss  
 0.3 - 100 MHz ..... -1.1 dB max.  
 Return Loss (@ 100 ohms)  
 0.3 - 30 MHz ..... -18 dB min.  
 40 MHz..... -16 dB min.  
 50 MHz..... -14.5 dB min.  
 60 - 80 MHz ..... -12 dB min.  
 Cross Talk  
 0.3 - 60 MHz ..... -42 dB min.  
 60 - 100 MHz ..... -35 dB min.  
 Common Mode Rejection Ratio  
 0.3 - 30 MHz ..... -40 dB typ.  
 60 MHz..... -35 dB typ.  
 80 - 100 MHz ..... -30 dB typ.  
 C<sub>ww</sub> ..... 20 pF typ.  
 Isolation ..... 1500 VAC  
 Operating Temperature -40 °C to +85 °C

\*CT: Center tap

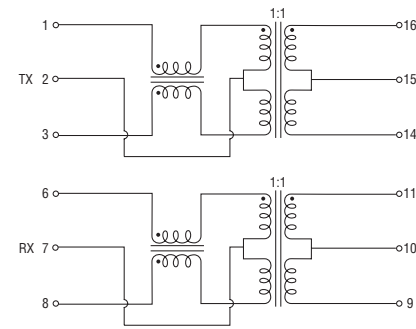
### Packaging Specifications

Tape & Reel ..... 700 pcs. /reel

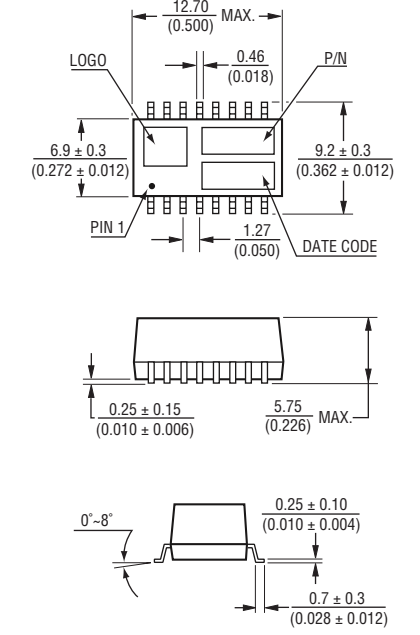
### How To Order

Model PT61018E L  
 Termination \_\_\_\_\_  
 L = Tin only (RoHS Compliant)

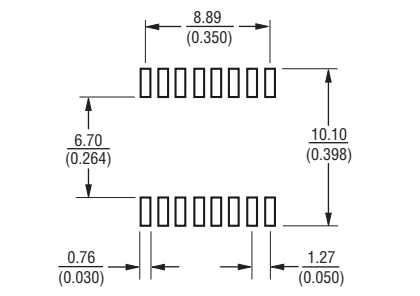
### Electrical Schematic



### Product Dimensions



### Recommended Layout



DIMENSIONS:  $\frac{\text{MM}}{\text{(INCHES)}}$