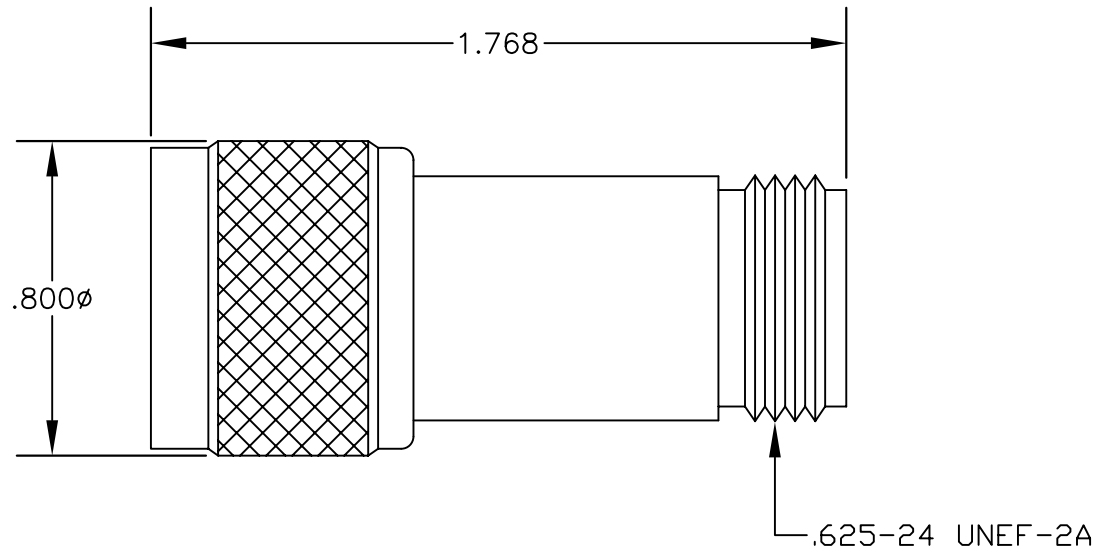


**MATERIALS**

<b>BODY</b>	<b>PASSIVATED STAINLESS STEEL</b>
<b>CONTACT</b>	<b>GOLD PLATED</b>
<b>INSULATOR</b>	<b>PTFE</b>
<b>COUPLING NUT</b>	<b>BRASS NICKEL PLATED</b>



**SPECIFICATIONS**

FREQUENCY RANGE: 10 MHz TO 18 GHz  
 TYPE OF D.C BLOCK: INNER  
 INSERTION LOSS: .6 dB  
 VSWR: 1.35:1 MAXIMUM  
 WORKING VOLTAGE: 200 VOLTS



**PASTERNACK ENTERPRISES, INC.**  
 P.O BOX 16759, IRVINE, CA 92623  
 PHONE (949) 261-1920 FAX (949) 261-7451  
 WEB ADDRESS: [www.pasternack.com](http://www.pasternack.com)  
 E-MAIL ADDRESS: [sales@pasternack.com](mailto:sales@pasternack.com)  
**COAXIAL & FIBER OPTICS**

DWG TITLE <b>PE8213</b>		DES. N MALE TO N FEMALE D.C BLOCK (INNER) FREQUENCY RANGE: 10 MHz TO 18 GHz			
SIZE A	FSCM NO. 53919	CAD FILE 112103	SCALE N/A		127

**NOTES:**  
 1. UNLESS OTHERWISE SPECIFIED ALL DIMENSIONS ARE NOMINAL.  
 2. ALL SPECIFICATIONS ARE SUBJECT TO CHANGE WITHOUT NOTICE AT ANY TIME.