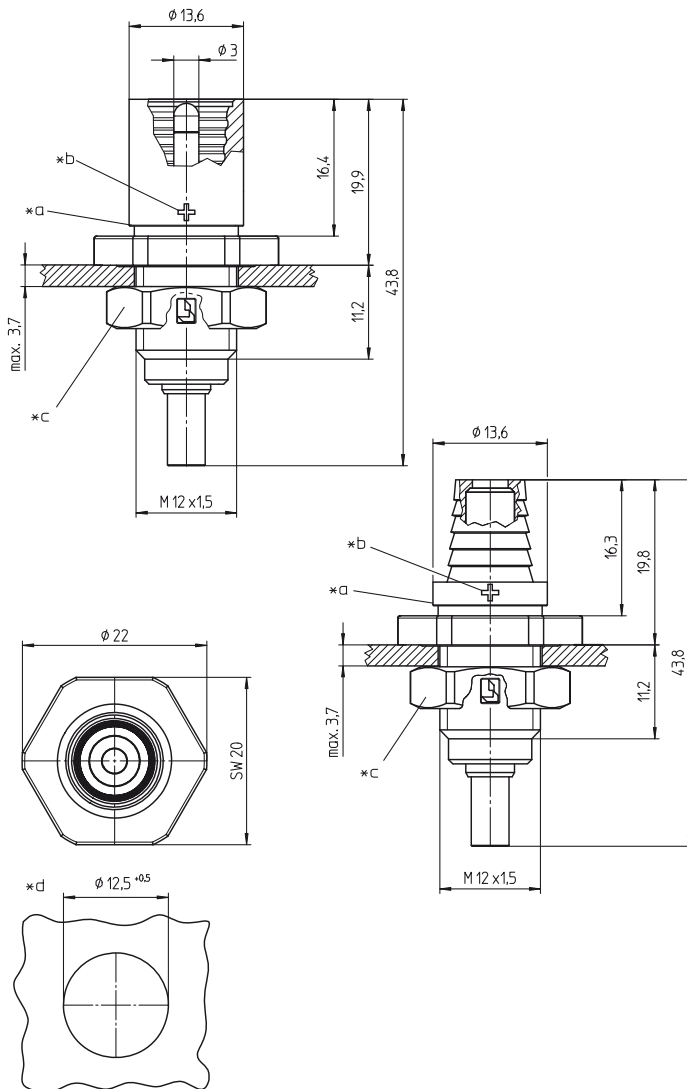



LC3-CP 10

LC3-CP 11


*a recess for optional unmating preventer LC3-CX 90 according to NEC 2008 NFPA 70

*b marking + on LC3-CP 1...-1, - on LC3-CP 1...-2

*c nut enclosed separately

*d port

LC3-CP 10
LC3-CP 11

LC3® photovoltaic chassis receptacle, with crimp contact, for front mounting

LC3-CP 10: plug

LC3-CP 11: socket

1. Temperature range	-40 °C/+85 °C (+110 °C upper limit temperature)
2. Materials	halogen-free, UV-resistant
Insulating body	TPU, V0 according to UL 94
Contact pin/bush	CuZn, pre-nickel and tinned
Contact protection (plugs only)	PA, V0 according to UL 94
Sleeve (sockets only)	CuZn, nickel
Hexagonal nut	PA GF
3. Mechanical data	
Insertion force ¹	≤ 89 N
Withdrawal force ¹	≥ 89 N
Mating cycles ¹	50
Tightening torque nut	0.8–1.1 Nm
Mating with	photovoltaic connectors LC3
Protection degree ²	IP 68
Connectable conductors crimp terminal stranded wire³	
Section LC3-CP 1... 2.5	2.5 mm ² (AWG 14)
Section LC3-CP 1... 4.0	4.0 mm ² (AWG 12)
Section LC3-CP 1... 6.0	6.0 mm ² (AWG 10)
4. Electrical data (at T_{amb} 20 °C)	
Contact resistance ¹	≤ 5 mΩ
Rated current ¹ LC3-CP 1... 2.5	22 A at T _{amb} 85 °C
Rated current ¹ LC3-CP 1... 4.0	35 A at T _{amb} 85 °C
Rated current ¹ LC3-CP 1... 6.0	40 A at T _{amb} 85 °C
Rated voltage ⁴	1000 V DC
Overvoltage category ⁴	III (8 kV)
Material group ⁴	I (IEC)/0 (UL) (CTI ≥ 600)
Creepage distance	≥ 12.5 mm
Clearance	≥ 12.5 mm
Insulation resistance	> 10 GΩ

¹ measured with a proper counterpart

² only in mated condition with a proper counterpart

³ IP X8 requirements under agreement between manufacturer and user wire construction preferably according to IEC 60228 class 5, otherwise crimp connection must be tested

⁴ according to DIN EN 60664/IEC 60664 resp. according to ANSI/UL 746A


Composition of type designation

Series: LC3 or LC4

Type of product
CP Connector Part

Configuration
10 chassis plug
11 chassis socket

Polarity

-1 +

-2 -

Cable section

2.5 2.5 mm² (AWG 14)

4.0 4.0 mm² (AWG 12)

6.0 6.0 mm² (AWG 10)

LC3-CP 10-1 4.0

Package unit: 100 pieces in a cardboard box