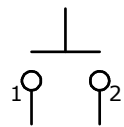


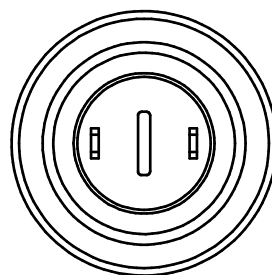
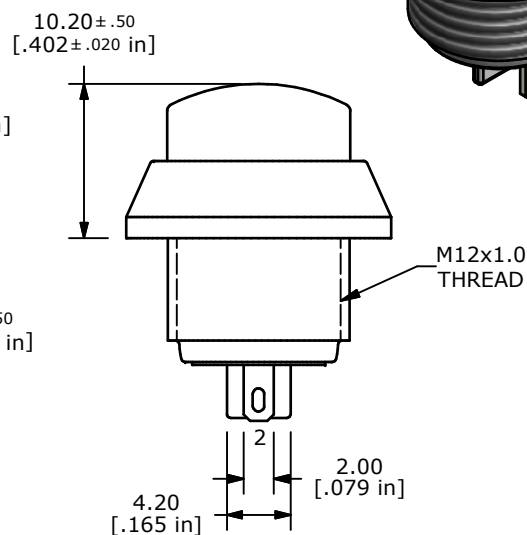
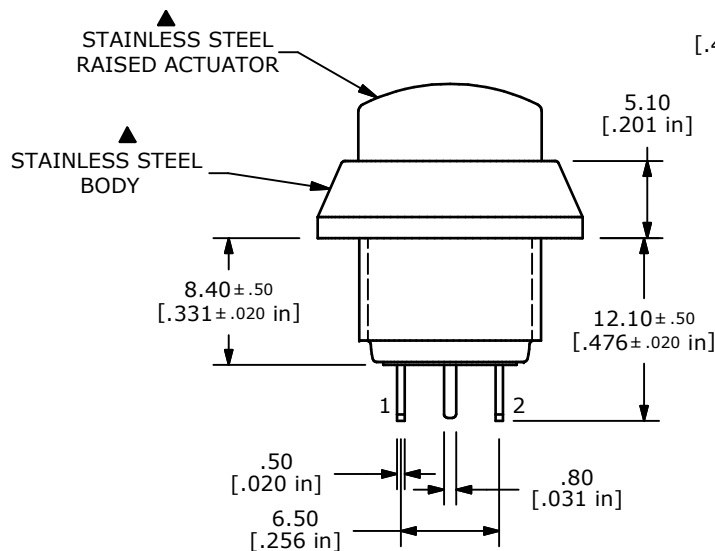
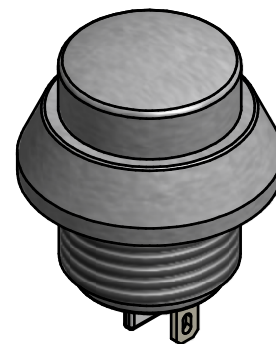
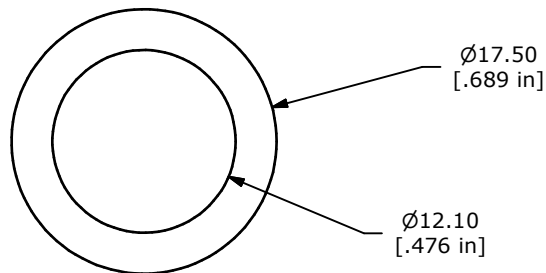
PANEL MOUNTING
MAX. PANEL THICKNESS 4mm

SWITCH FUNCTION	
POS. 1	POS. 2
OFF	(ON)
OPEN	1-2

(ON) = MOMENTARY



▲ **CIRCUIT: SPST**



- NOTE:
1. ALL DIMENSIONS IN MM [INCH]
 2. GENERAL TOLERANCE: X.X=±0.4
X.XX=±0.25
 3. TERMINAL NUMBERS FOR REF ONLY
 4. CIRCUIT: SPST, OFF- (ON)
 5. CONTACT MATERIAL: SILVER
 6. RATING: 2A @ 48 VDC
 7. ELECTRICAL LIFE: 200,000 CYCLES
 8. CONTACT RESISTANCE: 50 mΩ MAX. @ 1A 12VDC (INITIAL)
 9. INSULATION RESISTANCE: 1,000 MΩ MIN. @ 500VDC.
 10. DIELECTRIC STRENGTH: 2,000 VAC rms.
 11. OPERATING TEMPERATURE: -20°C TO +70°C.
 12. PANEL THICKNESS MAX: 4.0 mm.
 13. INGRESS PROTECTION: IP65
 14. ▲ DENOTES CRITICAL PARAMETER.
 15. 2002/95/EC (ROHS) COMPLIANT
 16. ▲ HARDWARE INCLUDED, 1 O-RING & 1 HEX NUT.(NOT SHOWN)



TITLE PV5H240SS

A	21254	RELEASE FOR PRODUCTION	10/11/13	EBP
REV	PCR NO	DESCRIPTION	DATE	BY

SCALE	DATE	DR	DWG	REV
	10/11/2013	EBP	52-PV5H240SS	A

THE INFORMATION CONTAINED IN THIS DOCUMENT IS PROPRIETARY TO E-SWITCH AND IS NOT TO BE COPIED OR TRANSFERRED