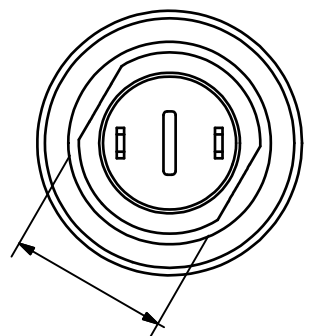
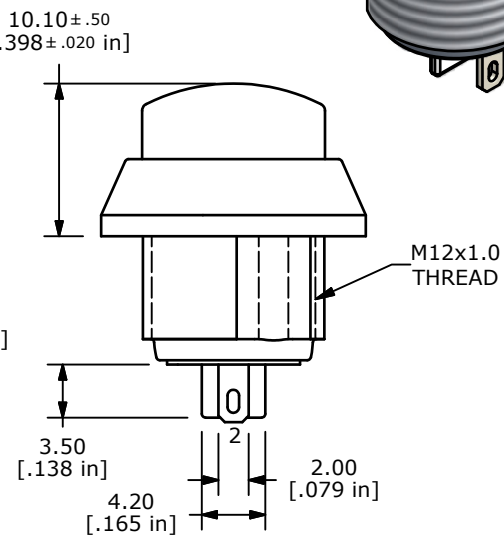
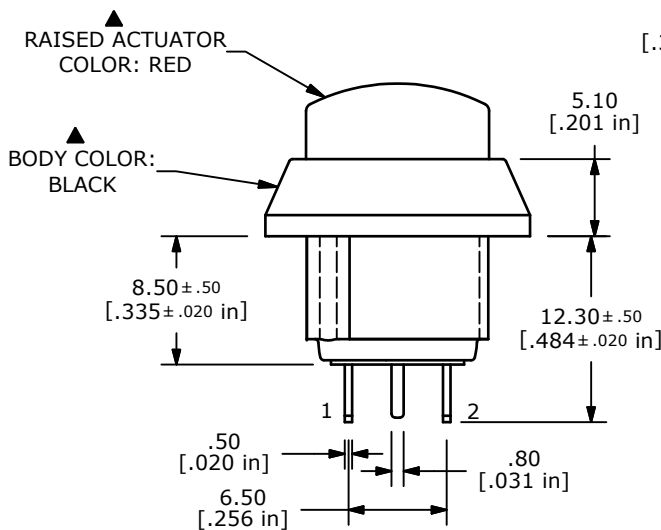


PANEL MOUNTING
MAX. PANEL THICKNESS 4mm

▲ **SWITCH FUNCTION**

| POS. 1 | POS. 2 |
|--------|--------|
| | |
| OFF | (ON) |
| OPEN | 1-2 |

(ON) = MOMENTARY



- NOTE:**
1. ALL DIMENSIONS IN MM [INCH]
 2. GENERAL TOLERANCE: X.X=±0.4
X.XX=±0.25
 3. TERMINAL NUMBERS FOR REF ONLY
 4. CIRCUIT: SPST, OFF- (ON)
 - ▲ 5. CONTACT MATERIAL: SILVER
 6. RATING: 2A @ 48 VDC
 7. ELECTRICAL LIFE: 200,000 CYCLES
 8. CONTACT RESISTANCE: 50 mΩ MAX. @ 1A 12VDC (INITIAL)
 9. INSULATION RESISTANCE: 1,000 MΩ MIN. @ 500VDC.
 10. DIELECTRIC STRENGTH: 2,000 VAC rms.
 11. OPERATING TEMPERATURE: -20°C TO +70°C.
 12. PANEL THICKNESS MAX: 4.0 mm.
 13. INGRESS PROTECTION: IP65
 14. ▲ DENOTES CRITICAL PARAMETER.
 15. 2002/95/EC (ROHS) COMPLIANT
 - ▲ 16. HARDWARE INCLUDED, 1 O-RING & 1 HEX NUT.(NOT SHOWN)



| | | | | |
|-----|--------|------------------------|---------|-----|
| A | 20158 | RELEASE FOR PRODUCTION | 9/19/11 | BGL |
| REV | PCR NO | DESCRIPTION | DATE | BY |

TITLE PV5H24019

THE INFORMATION CONTAINED IN THIS DOCUMENT IS PROPRIETARY TO E-SWITCH AND IS NOT TO BE COPIED OR TRANSFERRED

| | | | | |
|-------|-----------|-----|--------------|-----|
| SCALE | DATE | DR | DWG | REV |
| 2:1 | 9/19/2011 | BGL | 52-PV5H24019 | A |