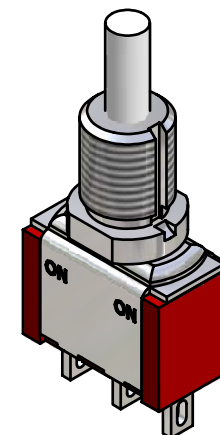
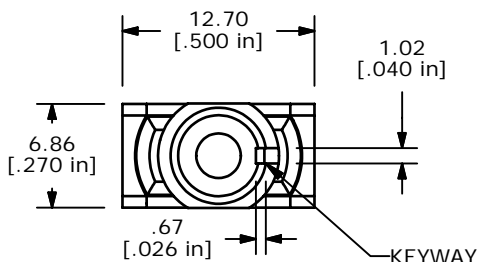
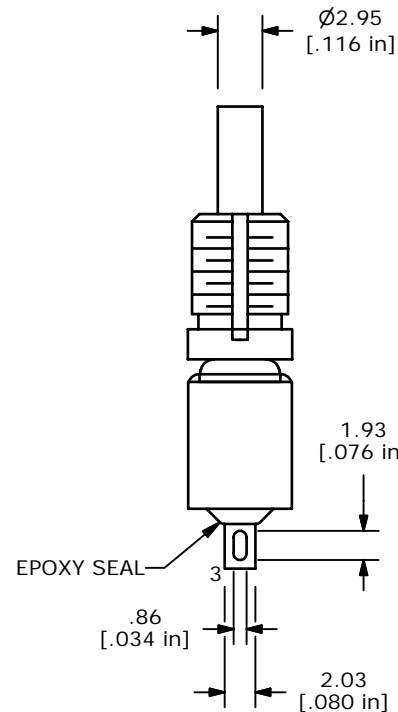
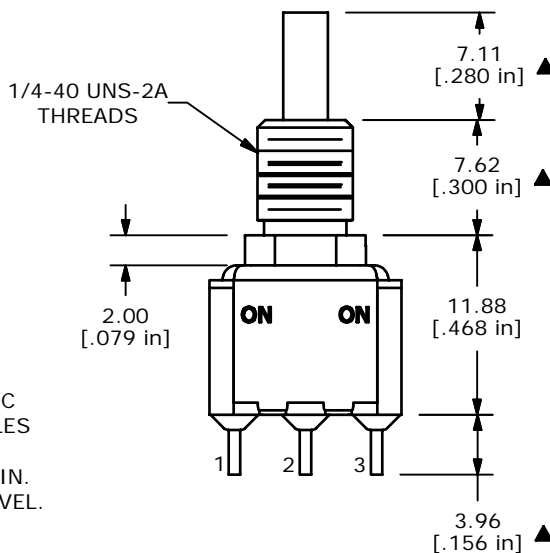
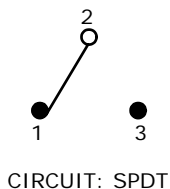


SWITCH FUNCTION	
POS. 1	POS. 2
ON	ON
1-2	2-3



ISOMETRIC



- NOTE:
1. ALL DIMENSIONS IN MM [INCH]
  2. GENERAL TOLERANCE: X.X=±0.4  
X.XX=±0.25
  3. TERMINAL NUMBERS FOR REF ONLY
  - ▲ 4. PLATING MATERIAL: SILVER
  5. RATING: 1A @250VAC, 3A @120 VAC OR 28 VDC
  6. ELECTRIC LIFE: 50,000 MAKE-AND-BREAK CYCLES AT FULL LOAD.
  7. INSULATION RESISTANCE: 1,000 MEGA-OHM MIN.
  8. DIELECTRIC STRENGTH: 1,000 V RMS @SEA LEVEL.
  9. OPERATING TEMP.: -30°C to 85°C
  10. ▲ DENOTES CRITICAL PARAMETER.
  11. 2002/95/EC (ROHS) COMPLIANT

REV	PCR NO	DESCRIPTION	DATE	BY
D	16009	UPDATE TERMINAL LENGTH	5/5/06	CT
C	15799	DIM FROM 11.54 TO 11.88	2/21/06	PH
B	15792	EDIT ACTUATOR DIA., ADD ROHS NOTE	2/20/06	PH
A	14801	RELEASED FOR PRODUCTION	4/14/05	JEB



TITLE 700CSP7B60M1QE

THE INFORMATION CONTAINED IN THIS DOCUMENT IS PROPRIETARY TO E-SWITCH AND IS NOT TO BE COPIED OR TRANSFERRED

SCALE	DATE	DR	DWG	REV
2:1	4/14/2005	JEB	T711056	D