

SQV Series



SQV Series comes in 2 sizes with wide inductance range, high Q value at high frequencies and low DC resistance.

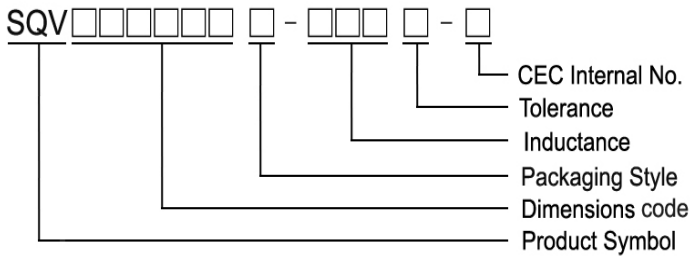
Features

- RoHS compliant
- Miniature chip inductors wound on a special ferrite core
- High Q value at high frequencies and low DC resistance
- Wide inductance range
- Excellent solder heat resistance
- Both flow and reflow soldering methods can be employed

Applications

- Personal, cordless phone
- High Freq. communication products
- GPS (global position system)
- Personal computers

Product Identification

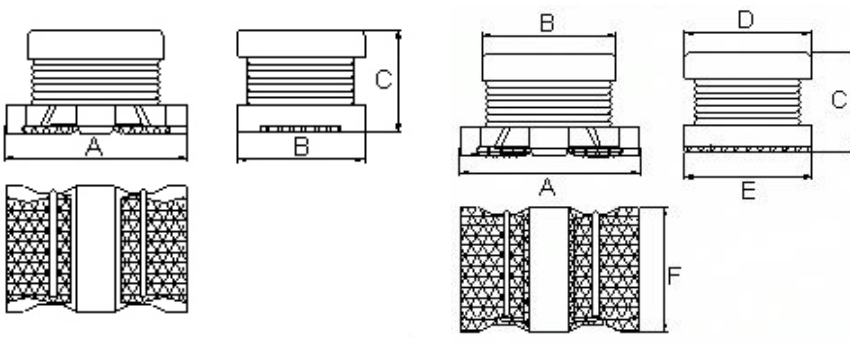


- Packaging: T : Tape and Reel

Shape and Dimensions

SQV322520

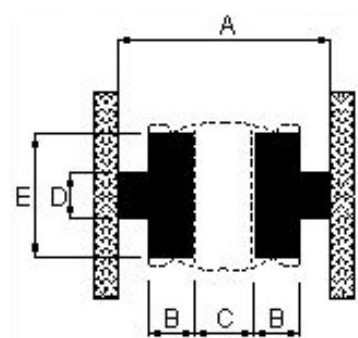
SQV453226



Dimensions in mm

TYPE	A	B	C	D	E	F
SQV322520	3.2±0.3	2.5±0.2	2.0±0.2	-	-	-
SQV453226	4.5±0.3	3.6±0.2	2.6±0.2	3.2±0.2	3.2±0.2	3.2±0.2

Recommended Pattern



Dimensions in mm

TYPE	A	B	C	D	E
SQV322520	5.5	1.0	1.3	1.0	2.0
SQV453226	7.5	1.5	1.5	1.5	3.0

Electrical Characteristics

Part Number	Inductance (uH)	Test Frequency (MHz)	Tolerance (±%)	Q Min	Test Frequency (MHz)	D.C. Resistance (Ω) Max	SRF (MHz) Min	Rated current (mA)
SQV322520T-R18□-N	0.18	1	20	20	25.2	0.25	200	650
SQV322520T-R27□-N	0.27	1	20	25	25.2	0.25	200	600
SQV322520T-R39□-N	0.39	1	20	25	25.2	0.25	200	530
SQV322520T-R56□-N	0.56	1	20	30	25.2	0.25	160	530
SQV322520T-R68□-N	0.68	1	20	30	25.2	0.25	160	470
SQV322520T-R82□-N	0.82	1	20	30	25.2	0.25	120	450
SQV322520T-1R0□-N	1.0	1	20	20	1	0.50	100	445
SQV322520T-1R2□-N	1.2	1	20	20	1	0.60	100	425
SQV322520T-1R5□-N	1.5	1	20 / 10	20	1	0.60	75	400
SQV322520T-1R8□-N	1.8	1	20 / 10	20	1	0.70	60	390
SQV322520T-2R2□-N	2.2	1	20 / 10	20	1	0.80	50	370
SQV322520T-2R7□-N	2.7	1	20 / 10	20	1	0.90	43	320
SQV322520T-3R3□-N	3.3	1	20 / 10	20	1	1.0	38	300
SQV322520T-3R9□-N	3.9	1	20 / 10	20	1	1.1	35	290
SQV322520T-4R7□-N	4.7	1	20 / 10	20	1	1.2	31	270
SQV322520T-5R6□-N	5.6	1	20 / 10	20	1	1.3	28	250
SQV322520T-6R8□-N	6.8	1	20 / 10	20	1	1.5	25	240
SQV322520T-8R2□-N	8.2	1	20 / 10	20	1	1.6	23	225
SQV322520T-100□-N	10	1	10 / 5	35	1	1.8	20	190
SQV322520T-120□-N	12	1	10 / 5	35	1	2.0	18	180
SQV322520T-150□-N	15	1	10 / 5	35	1	2.2	16	170
SQV322520T-180□-N	18	1	10 / 5	35	1	2.5	15	165
SQV322520T-220□-N	22	1	10 / 5	35	1	2.8	14	150
SQV322520T-270□-N	27	1	10 / 5	35	1	3.1	13	125
SQV322520T-330□-N	33	1	10 / 5	40	1	3.5	12	115
SQV322520T-390□-N	39	1	10 / 5	40	1	3.9	11	110
SQV322520T-470□-N	47	1	10 / 5	40	1	4.3	11	100
SQV322520T-560□-N	56	1	10 / 5	40	1	4.9	10.0	85
SQV322520T-680□-N	68	1	10 / 5	40	1	5.5	9.0	80
SQV322520T-820□-N	82	1	10 / 5	40	1	6.2	8.5	70
SQV322520T-101□-N	100	1	10 / 5	40	0.796	7.0	8.0	80
SQV322520T-121□-N	120	1	10 / 5	40	0.796	8.0	7.5	75
SQV322520T-151□-N	150	1	10 / 5	40	0.796	9.3	7.0	70
SQV322520T-181□-N	180	1	10 / 5	40	0.796	10.2	6.0	65
SQV322520T-221□-N	220	1	10 / 5	40	0.796	11.8	5.5	65
SQV322520T-271□-N	270	1	10 / 5	40	0.796	12.5	5.0	65
SQV322520T-331□-N	330	1	10 / 5	40	0.796	13.0	5.0	65
SQV322520T-391□-N	390	1	10 / 5	50	0.796	22.0	5.0	50
SQV322520T-471□-N	470	0.001	10 / 5	50	0.796	25.0	5.0	45
SQV322520T-561□-N	560	0.001	10 / 5	50	0.796	28.0	2.0	40

- When ordering, please specify tolerance and packaging codes
- Rated Current: Self temperature rise shall be limited to 35°C Max. Inductance drop 10% typ.
- Operating temp: -40°C ~ 125°C. (Including self - temperature rise)
- Soldering Heat: 260°C 10 sec after 150°C preheat cycle for 4 min
- Tolerance: J = ±5% , K = ±10% , M = ±20%
- Test Equipment: L & Q: HP4285A LF Impedance Analyzer
SRF: HP4291A RF Impedance Analyzer
DCR: CH502BC/ HP4338B

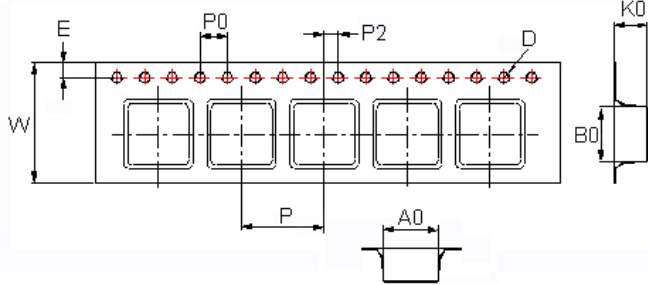
Electrical Characteristics

Part Number	Inductance (uH)	Test Frequency (MHz)	Tolerance (±%)	Q Min	Test Frequency (MHz)	D.C. Resistance (Ω) Max	SRF (MHz) Min	Rated current (mA)
SQV453226T-1R0□-N	1.0	1	20	20	1	0.20	120	500
SQV453226T-1R2□-N	1.2	1	20	20	1	0.20	100	500
SQV453226T-1R5□-N	1.5	1	20	20	1	0.30	85	500
SQV453226T-1R8□-N	1.8	1	20	20	1	0.30	75	500
SQV453226T-2R2□-N	2.2	1	20	20	1	0.30	62	500
SQV453226T-2R7□-N	2.7	1	20	20	1	0.32	53	500
SQV453226T-3R3□-N	3.3	1	20	20	1	0.35	47	500
SQV453226T-3R9□-N	3.9	1	20	20	1	0.38	41	500
SQV453226T-4R7□-N	4.7	1	20 / 10	30	1	0.40	38	500
SQV453226T-5R6□-N	5.6	1	20 / 10	30	1	0.47	33	500
SQV453226T-6R8□-N	6.8	1	20 / 10	30	1	0.50	31	450
SQV453226T-8R2□-N	8.2	1	20 / 10	30	1	0.56	27	450
SQV453226T-100□-N	10	1	10 / 5	35	1	0.56	23	400
SQV453226T-120□-N	12	1	10 / 5	35	1	0.62	21	380
SQV453226T-150□-N	15	1	10 / 5	35	1	0.73	19	360
SQV453226T-180□-N	18	1	10 / 5	35	1	0.82	17	340
SQV453226T-220□-N	22	1	10 / 5	35	1	0.94	15	320
SQV453226T-270□-N	27	1	10 / 5	35	1	1.1	14	300
SQV453226T-330□-N	33	1	10 / 5	35	1	1.2	12	270
SQV453226T-390□-N	39	1	10 / 5	35	1	1.4	11	240
SQV453226T-470□-N	47	1	10 / 5	35	1	1.5	10	220
SQV453226T-560□-N	56	1	10 / 5	35	1	1.7	9.3	200
SQV453226T-680□-N	68	1	10 / 5	35	1	1.9	8.4	180
SQV453226T-820□-N	82	1	10 / 5	35	1	2.2	7.5	170
SQV453226T-101□-N	100	1	10 / 5	40	0.796	2.5	6.8	160
SQV453226T-121□-N	120	1	10 / 5	40	0.796	3.0	6.2	150
SQV453226T-151□-N	150	1	10 / 5	40	0.796	3.7	5.5	130
SQV453226T-181□-N	180	1	10 / 5	40	0.796	4.5	5.0	120
SQV453226T-221□-N	220	1	10 / 5	40	0.796	5.4	4.5	110
SQV453226T-271□-N	270	1	10 / 5	40	0.796	6.8	4.0	100
SQV453226T-331□-N	330	1	10 / 5	40	0.796	8.2	3.6	95
SQV453226T-391□-N	390	1	10 / 5	40	0.796	9.7	3.3	90
SQV453226T-471□-N	470	0.001	10 / 5	40	0.796	11.8	3.0	80
SQV453226T-561□-N	560	0.001	10 / 5	40	0.796	14.5	2.7	70
SQV453226T-681□-N	680	0.001	10 / 5	40	0.796	17.5	2.5	65
SQV453226T-821□-N	820	0.001	10 / 5	40	0.796	20.5	2.2	60
SQV453226T-102□-N	1000	0.001	10 / 5	40	0.252	25.0	2.0	50
SQV453226T-122□-N	1200	0.001	10 / 5	40	0.252	30.0	1.8	45
SQV453226T-152□-N	1500	0.001	10 / 5	40	0.252	37.0	1.6	40
SQV453226T-182□-N	1800	0.001	10 / 5	40	0.252	45.0	1.5	35
SQV453226T-222□-N	2200	0.001	10 / 5	40	0.252	50.0	1.3	30

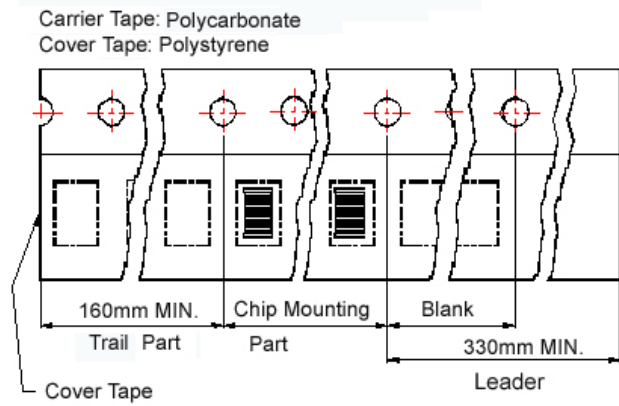
- When ordering, please specify tolerance and packaging codes
- Rated Current: Self temperature rise shall be limited to 35°C Max. Inductance drop 10% typ.
- Operating temp: -40°C ~ 125°C. (Including self - temperature rise)
- Soldering Heat: 260°C 10 sec after 150°C preheat cycle for 4 min
- Inductance tolerance: J = ±5% K = ±10% M = ±20%
- Test Equipment: L & Q: HP4285A LF Impedance Analyzer
SRF: HP4291A RF Impedance Analyzer
DCR: CH502BC/ HP4338B

Packaging Specifications

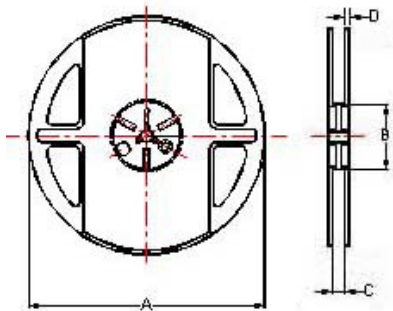
Tape Dimensions



Tape Material



Reel Dimensions



Dimensions in mm

TYPE	Tape Dimensions									Reel Dimensions				Quantity
	A0	B0	K0	D	E	W	P	P0	P2	A	B	C	D	PCS / REEL
SQV322520	2.90	3.60	2.25	1.5	1.75	8	4	4	2	178	60	9	1.5	200
SQV453226	3.60	4.90	3.00	1.5	1.75	12	8	4	2	178	60	13.2	1.5	500