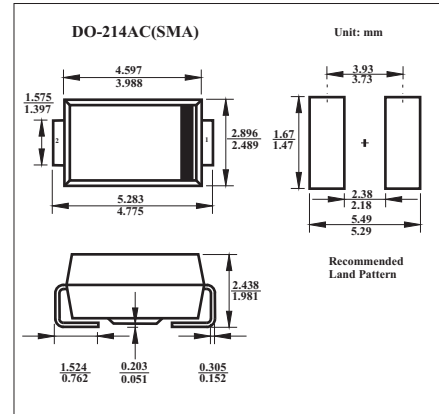


# SK32-SK36

## ■ Features

- For Surface Mounted Applications
- High Reliability
- High Current Capability and Low  $V_F$



## ■ Absolute Maximum Ratings $T_a = 25^\circ\text{C}$

Parameter	Symbol	SK32	SK33	SK34	SK35	SK36	Unit
Maximum recurrent peak reverse voltage	$V_{RRM}$	20	30	40	50	60	V
Maximum RMS voltage	$V_{RMS}$	14	21	28	35	42	V
Maximum DC blocking voltage	$V_{DC}$	20	30	40	50	60	V
Average forward rectified current @ $T_L = 75^\circ\text{C}$	$I_o$	3					A
Peak forward surge current 8.3 ms single half sine-wave superimposed on rated load	$I_{FSM}$	100					A
Maximum instantaneous forward voltage at $3.0A^1$	$V_F$	0.5		0.75			V
Maximum DC reverse current at rated @ $T_A = 25^\circ\text{C}$ @ $T_A = 100^\circ\text{C}$	$I_R$	0.5 20					mA
Maximum thermal resistance <sup>2</sup>	$R_{\theta JA}$	75					$^\circ\text{C}/W$
Typical junction capacitance <sup>3</sup>	$C_J$	300					pF
Operating and storage temperature range	$T_{stg}$	-55 to +150					$^\circ\text{C}$

\*1. Pulse test width 300  $\mu\text{s}$ , duty cycle 2%

\*2. 8.0  $\text{mm}^2$  (0.13mm thick) land pads

\*3. Measured at 1.0 MHz and applied reverse voltage of 4.0V