

# SC4004B ( 40 CHARACTERS x 4 LINES )

## FEATURES

- ◆ 5 x 7 DOTS WITH CURSOR
- ◆ BUILT-IN CONTROLLER (KS0066 OR EQUIVALENT)
- ◆ 5 V POWER SUPPLY
- ◆ 1/16 DUTY CYCLE
- ◆ 4.2 V LED FORWARD VOLTAGE

## MECHANICAL DATA

ITEM	DIMENSIONS	UNIT
Module Size ( W x H x T )	288.3 x 77.5 x 15.1(24.5)	mm
Viewing Area ( W x H )	260.0 x 56.6	mm
Character Size ( W x H )	5.16 x 10.52	mm
Character Pitch ( W x H )	6.25 x 13.62	mm
Dot Size ( W x H )	1.00 x 1.28	mm
Dot Pitch ( W x H )	1.04 x 1.32	mm

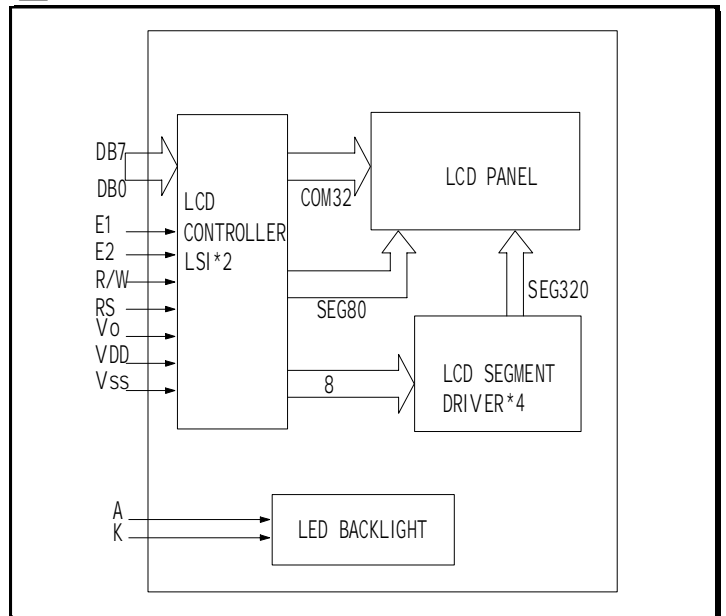
## INTERFACE PIN CONNECTIONS

NO.	SYMBOL	FUNCTION	NO.	SYMBOL	FUNCTION
2	NC	No Control	15	DB2	Data Bit 2
3	E2	Enable IC2	17	DB3	Data Bit 3
4	Vo	Contrast Adj.	19	DB4	Data Bit 4
5	R/W	Read/Write	20	Vss	Supply Ground
7	RS	Register Select	21	DB5	Data Bit 5
9	E1	Enable IC1	22	VDD	Supply Voltage
11	DB0	Data Bit 0	23	DB6	Data Bit 6
13	DB1	Data Bit 1	25	DB7	Data Bit 7

## ELECTRICAL CHARACTERISTICS

ITEM	SYMBOL	CONDITION	MIN.	TYP.	MAX.	UNIT
LCD Operating Voltage	V <sub>DD-Vo</sub>	T=0°C	-	4.8	-	V
		T=25°C	-	4.5	-	V
		T=50°C	-	4.2	-	V
Supply Voltage	V <sub>DD-Vss</sub>	-	4.7	5	5.3	V
Supply Current	I <sub>DD</sub>	-	-	5.2	10.8	mA
Input Voltage	"HIGH" Level	V <sub>IH</sub>	-	2.2	-	V <sub>DD</sub> V
	"LOW" Level	V <sub>IL</sub>	-	0	-	0.6 V
Output Voltage	"HIGH" Level	V <sub>OH</sub>	-	2.4	-	V
	"LOW" Level	V <sub>OL</sub>	-	-	-	0.4 V

## BLOCK DIAGRAM



## EXTERNAL DIMENSIONS

