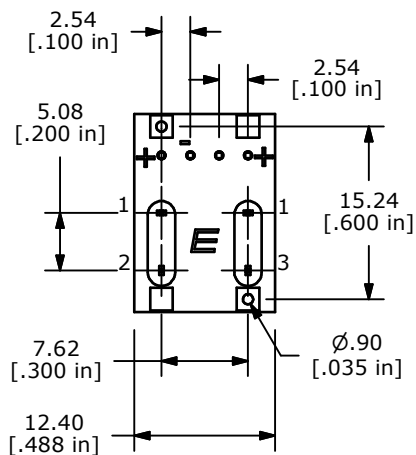
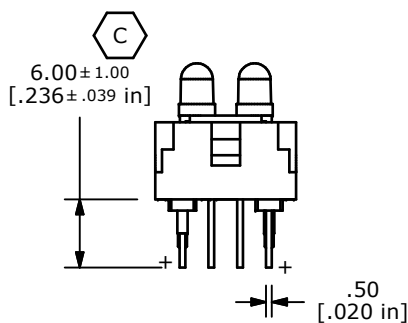
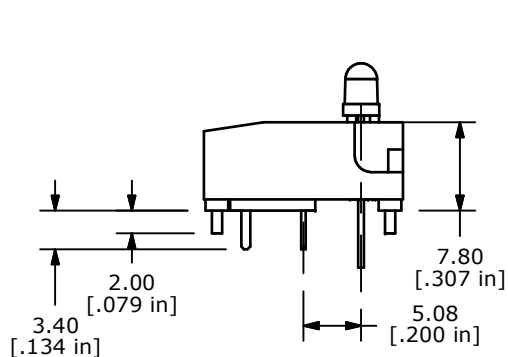


ISOMETRIC



NOTE:

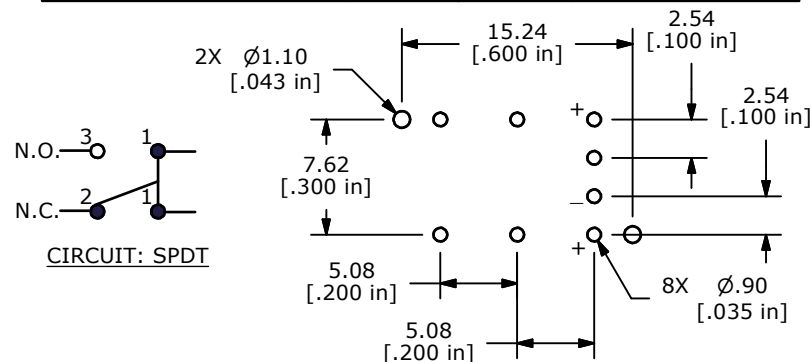
1. ALL DIMENSIONS IN MM [INCH]
2. GENERAL TOLERANCE: X.X=±0.4
X.XX=±0.25
3. TERMINAL NUMBERS FOR REF ONLY
4. RATINGS: 12mA @24V
5. CONTACTS: FIXED AND MOVING:
COPPER ALLOY W/GOLD PLATE
6. ▲ DENOTES CRITICAL PARAMETER.

RED LED

PARAMETERS	SYMBOL	MAX.	MIN.	TYP.	UNITS
POWER DISSIPATION	P _D	80	--		mW
AVE FORWARD CURRENT	I _{AF}	30	--		mA
PEAK FORWARD CURRENT	I _{PF}	80	--		mA
FORWARD VOLTAGE	V _F	2.8	1.8	2.2	V
REVERSE VOLTAGE	V _R	5	--		V
REVERSE CURRENT	I _R	100	--		μA
EMISSION WAVELENGTH	λ _P			695	nm
LUMINOUS INTENSITY	I _F		0.7	2.2	mcd

GREEN LED

PARAMETERS	SYMBOL	MAX.	MIN.	TYP.	UNITS
POWER DISSIPATION	P _D	100	--		mW
AVE FORWARD CURRENT	I _{AF}	30	--		mA
PEAK FORWARD CURRENT	I _{PF}	120	--		mA
FORWARD VOLTAGE	V _F	2.8	1.9	2.2	V
REVERSE VOLTAGE	V _R	5	--		V
REVERSE CURRENT	I _R	100	--		μA
EMISSION WAVELENGTH	λ _P			570	nm
LUMINOUS INTENSITY	I _F		6.0	15.0	mcd



C	21212	TOLERANCE WAS ±0.40mm	8/22/13	EBP
B	14604	REVISED AND REDRAWN	1/5/05	AR
REV	PCR NO	DESCRIPTION	DATE	BY

TITLE 5500STDBODYREDGRN				
SCALE 1.5:1	DATE 5/8/2002	DR CJB	DWG R010002	REV C

THE INFORMATION CONTAINED IN THIS DOCUMENT IS PROPRIETARY TO E-SWITCH AND IS NOT TO BE COPIED OR TRANSFERRED