

# POS



## POS-3152

The One-of-a-kind Highly Integrated & Performance 15" POS Terminal

### Features and Benefits:

- Intel® Atom™ D525 CPU
- 15" LCD display with touch
- Flexible design for versatile applications
- Optional Vertical MSR /i-Button /ISO 14443A RFID module /fingerprint module
- Optional 2"/3" stand alone thermal printer
- Optional 8.4" 2nd LCD display
- Small footprint & Streamline design



### Protech Systems Co., Ltd.

No. 24, Lane 365, Yang Goang Street, Nei Hu District Taipei 114, Taiwan  
TEL: +886-2-8751-1111 FAX: +886-2-8751-1199  
E-mail: sales@protech.com.tw  
<http://www.protech.com.tw>

### Protech Technologies Inc.

950 Fee Ana St, Suite B Placentia, CA 92870  
TEL: +1-714- 996-7200 FAX: +1-714- 996-7300  
Sales: sales@protech-usa.net  
<http://www.protech-usa.net>

### Protech Japan Co., Ltd.

OSK Bldg, 6F, 6-25-14, Minami-ohi Shinagawa-ku, Tokyo, 140-0013  
TEL: +81-3-5753-8411 FAX: +81-3-3763-9282  
E-mail: sam@protech-j.com  
<http://www.protech-j.com>



MSR & Fingerprint



Slim DVD



VFD



CF card & W-LAN

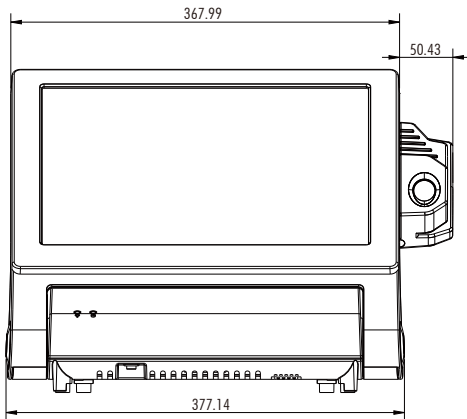


ISO CERTIFIED  
9001 14001

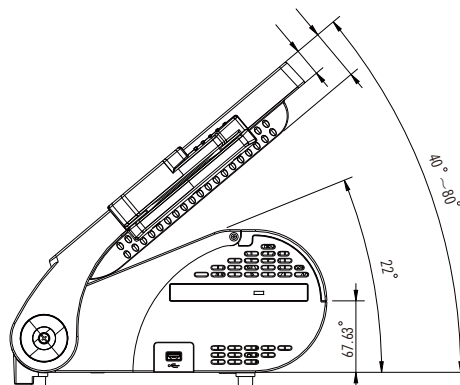
# POS-3152

## The One-of-a-kind Highly Integrated & Performance 15" POS Terminal

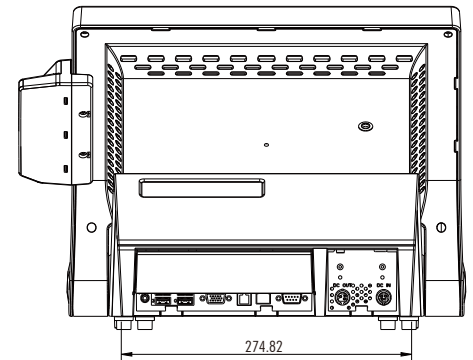
### Top View



### Side View



### Rear View



Unit: mm

### Specifications

System	
<b>CPU Support</b>	Intel® Atom™ D525 CPU
<b>Memory</b>	1 x DDR3 SO-DIMM Slot, 1GB (up to 4GB)
<b>Core Logic</b>	Intel® ICH8M
<b>Network</b>	10/100/1000 Base-T Fast Ethernet
<b>Power Supply</b>	72Watt ~ 120Watt power adaptor
<b>Fan</b>	Low noise & easy maintenance
<b>System Weight</b>	8.3 kg
<b>Dimension (W x H x D)</b>	368 x 291 x 201 mm (Angle: 40 degrees)
<b>O.S. Support</b>	POSReady2009 /POSReady7 /WES2009 /WES7

### Storage

<b>HDD</b>	1 x 2.5" SATA HDD
<b>SD/MMC</b>	over or equal 8GB
<b>CD-ROM</b>	Slim DVD-ROM or COMBO

### I/O Ports

<b>USB</b>	4 x USB 2.0 ports / 1 x USB 2.0 on side bezel
<b>Serial Ports</b>	2 x DB-9 (COM 1/2), 1 x RJ45 (COM 3), +5V/12V selectable (COM 1~ COM3)
<b>PS/2</b>	1 x PS/2 ports (default at keyboard)
<b>LAN</b>	1 x RJ-45
<b>VGA</b>	1 x DB-15 VGA interface
<b>Cash Drawer</b>	1 x RJ11 (+12V or +24V selectable)(default at +12V)
<b>DC in</b>	Link from Power adaptor

### Optional

<b>Customer Display</b>	VFD kit, 20 columns and 2 lines, each column is 5 x 7 dots
<b>Display</b>	
<b>LCD</b>	15" TFT LCD
<b>Max. Resolution</b>	1024 x 768
<b>Brightness</b>	250 cd/m <sup>2</sup>
<b>Touch Screen</b>	5-wire Analog resistive
<b>Tilt Angle</b>	40 ~ 65 degrees

### Environment

<b>EMC &amp; Safety</b>	CE / FCC
<b>Operating Temp.</b>	0 ~ 35° C
<b>Storage Temp.</b>	-20 ~ 60° C
<b>Humidity</b>	20 ~ 90%

### Ordering Information

<b>PA-3051RA-A1B</b>	POS-3152 barebone, Black, ELO resistive touchscreen & 120W power adaptor
<b>PA-3051RZ-24A</b>	DDR3 2GB Memory /2.5" HDD
<b>PA-3050RZ-83B</b>	PS2 MSR(ID tech)
<b>PA-3050RZ-31B</b>	VFD Customer Display
<b>PA-3050RZ-41A</b>	Slim DVD ROM
<b>PA-3100RZ-81A</b>	Wireless module (802.11b/g)
<b>PA-3050RZ-87B</b>	Vertical Fingerprint(USB) module
<b>PA-3050RZ-95B</b>	8.4" 2 <sup>nd</sup> Display
<b>OS</b>	POSReady2009 /POSReady7 /WES7

All of trademarks and brand names are the property of their owners. Trademark "Protech" is the property of Protech Systems Co., Ltd. All information contained in this document is subject to change without any prior notice. This catalog is copyrighted in Dec. 2012.