



GR874 Sexless Connector Crimp/Solder Attachment For RG214, RG9, RG225, RG393

TECHNICAL DATA SHEET

PE4352

GR874 Sexless Connector Crimp/Solder Attachment For RG214, RG9, RG225, RG393

Configuration

| | |
|--|--------------------------|
| Connector | GR874 Sexless |
| Connector Specification | MIL-C-39012 |
| Connector Interface Type | RG214, RG9, RG225, RG393 |
| Cable Attachment Method (Shield/Contact) | Crimp/Solder |
| Body Style | Straight |

Electrical Specifications

| | |
|-----------------|----|
| Impedance, Ohms | 50 |
|-----------------|----|

Mechanical Specifications

Temperature

| | |
|------------------------|-------------|
| Operating Range, deg C | -65 to +165 |
|------------------------|-------------|

Size

| | |
|---------------------|---------------|
| Length, in [mm] | 1.95 [49.53] |
| Width/Dia., in [mm] | 0.81 [20.57] |
| Weight, lbs [g] | 0.068 [30.84] |

Connector

| | |
|-------------------------------|---------------|
| Type | GR874 Sexless |
| Contact Material and Plating | Silver |
| Contact Plating Specification | QQ-S-365 |
| Body Material and Plating | Brass, Nickel |
| Dielectric Type | Teflon |

Compliance Certifications (visit www.Pasternack.com for current document)

| | |
|----------------|-----|
| RoHS Compliant | Yes |
|----------------|-----|

Plotted and Other Data

| | |
|--------|----------------------------|
| Notes: | Values at 25 °C, sea level |
|--------|----------------------------|

GR874 Sexless Connector Crimp/Solder Attachment For RG214, RG9, RG225, RG393 from Pasternack Enterprises has same day shipment for domestic and International orders. Our RF, microwave and fiber optic products maintain a 99% availability and are part of the broadest selection in the industry.

Click the following link (or enter part number in "SEARCH" on website) to obtain additional part information including price, inventory and certifications: [GR874 Sexless Connector Crimp/Solder Attachment For RG214, RG9, RG225, RG393 PE4352](http://www.pasternack.com/gr874-sexless-standard-rg214-rg9-rg225-rg393-connector-pe4352-p.aspx)

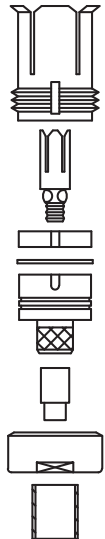
URL: <http://www.pasternack.com/gr874-sexless-standard-rg214-rg9-rg225-rg393-connector-pe4352-p.aspx>

The information contained in this document is accurate to the best of our knowledge and representative of the part described herein. It may be necessary to make modifications to the part and/or the documentation of the part, in order to implement improvements. Pasternack reserves the right to make such changes as required. Unless otherwise stated, all specifications are nominal.

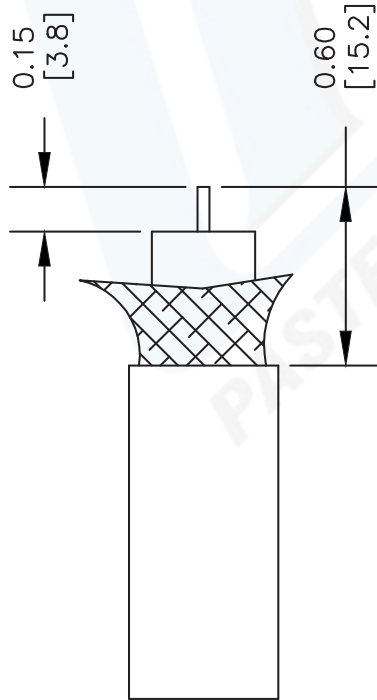
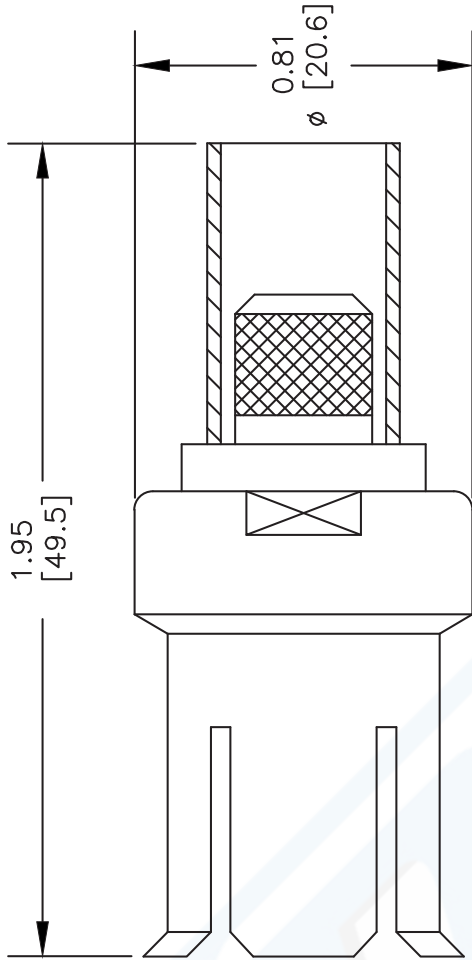


PE4352 CAD Drawing

GR874 Sexless Connector Crimp/Solder Attachment For RG214, RG9, RG225, RG393



1 2 3 4 5 6 7 8



STRIPPING DIMENSIONS

ASSEMBLY PROCEDURES

1. STRIP CABLE TO DIMENSION SHOWN SLIDE FERRULE (1) & NUT (2) OVER CABLE.
2. SOLDER CONTACT (3) TO CENTER CONDUCTOR. FLAIR BRAID BACK, INSERT EXTENSION (4) OVER CONTACT (3) & DIELECTRIC. SLIDE FERRULE (1) OVER BRAID AGAINST EXTENSION (4).
3. INSTALL RING (5) ON EXTENSION (4) INSERT CONTACT (7) THRU PTFE (6) TOGETHER SCREW IN TO CONTACT (3) ALIGN SLOTTED; PUSH BODY (8) OVER ASSEMBLY UNTIL PTFE (6) BOTTOMS ON TO BODY SHOULDER. SCREW NUT (2) SECURELY THEN CRIMP FERRULE (1).

CRIMP SIZE REQUIRED

CONTACT: SOLDER
FERRULE: .429" HEX CRIMP TOOL



PASTERNAK®
Pasternack Enterprises, Inc.
P.O. Box 16759 | Irvine | CA | 92623

Phone: (949) 261-1920 | Fax: (949) 261-7451
Website: www.pasternack.com | E-Mail: sales@pasternack.com

DWG TITLE

PE4352

- NOTES:
1. UNLESS OTHERWISE SPECIFIED ALL DIMENSIONS ARE NOMINAL.
 2. ALL SPECIFICATIONS ARE SUBJECT TO CHANGE WITHOUT NOTICE AT ANY TIME.
 3. DIMENSIONS ARE IN INCHES [mm].
 4. FITS MIL-C-17 AND EQUIVALENT CABLES.

REV. -

FSCM NO. 53919

CAD FILE 050802

SCALE N/A

SIZE A

2233