

30 VOLT QUAD-CHANNEL DIFFERENTIAL LINE DRIVER

Nov 2012

FEATURES:

- More feature-rich and cost-effective than the OL7272 and ET7273
- Pin to pin replaceable with the OL7272 and functionally equivalent to the ET7273
- Push-Pull or Open-Drain output drivers (LS7272)
- Open-Drain output drivers only (LS7273)
- Voltage Range: 4.5V – 30V ($V_{DD} - V_{SS}$)
- 120mA Sink/Source output drive
- Operating frequency up to 4 MHz
- Thermal shutdown protection for output driver overload
- Enable input with Thermal Shutdown disconnect feature
- 1.5A dynamic peak output current drive
- Outputs RS422A compatible
- Inputs CMOS/TTL compatible with hysteresis
- Output drivers fully connected or high-impedance state

PART NUMBER ORDERING INFORMATION:

This part is available in three package styles, DIP, SOIC, and TSSOP.

For DIP packages: LS7272, LS7273, LS7272-20, LS7273-20

For SOIC packages: LS7272-S, LS7273-S, LS7272-S20, LS7273-S20

For TSSOP packages: LS7272-TS, LS7273-TS, LS7272TS20, LS7273TS20

DESCRIPTION:

The LS7272/LS7273 are short-circuit proof Quad Differential Industrial Power Line Drivers. They can operate up to 30V and have a selectable thermal shutdown features.

The Data inputs are TTL / CMOS compatible and can also be driven up to the supply voltage V_{DD} . The \overline{ENA} input can be used to place all the outputs in a high impedance state. For the LS7272 the \overline{OPD} input is used to connect the outputs as push-pull drivers or open-drain drivers, where the outputs can be returned through external loads to a maximum voltage of V_{DD} .

For the LS7273, pin4 is LOW and is tied to ground. The outputs are open drain and the loads can be returned to any voltage between 4.5V and 30V independent of V_{DD} .

An internal 5V regulated supply is used to power the logic and level converter blocks.

The thermal shutdown block located in the center of the IC can be disabled by setting the \overline{ENA} input, Pin 12, to a voltage between 7.5V and 12V.

Upon power-up, a Power-On-Reset (POR) circuit block forces all output drivers to the high-impedance state until the power supply voltage reaches a nominal 3.8V. Included in the POR circuit block is a hysteresis of 100mV such that if the power supply drops below 3.7V all output drivers are forced to the high-impedance state until the voltage rises above 3.8V. There is a built-in 5 μ s delay for disabling the output drivers should the power supply drop below 3.7V. The output drivers are immediately enabled when the voltage rises above 3.8V.

PIN ASSIGNMENT – TOP VIEW

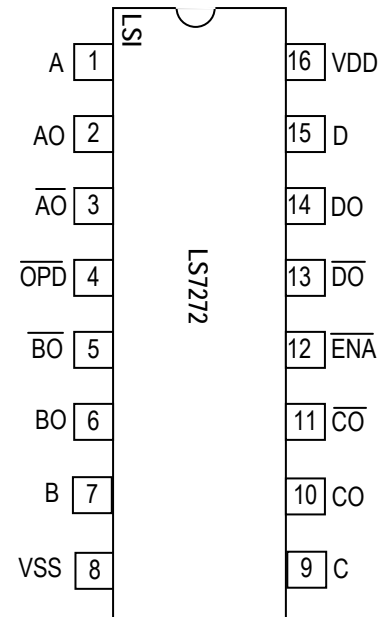


FIGURE 1

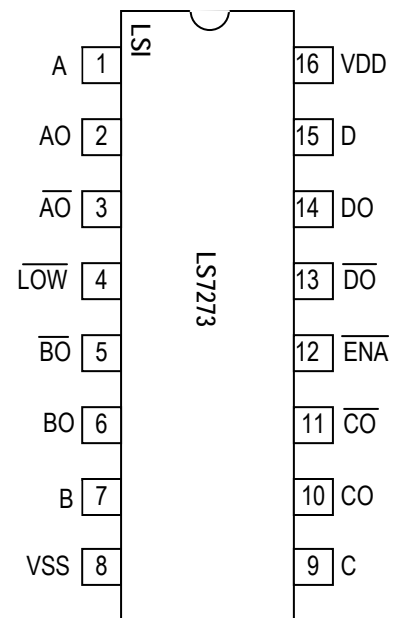


FIGURE 2

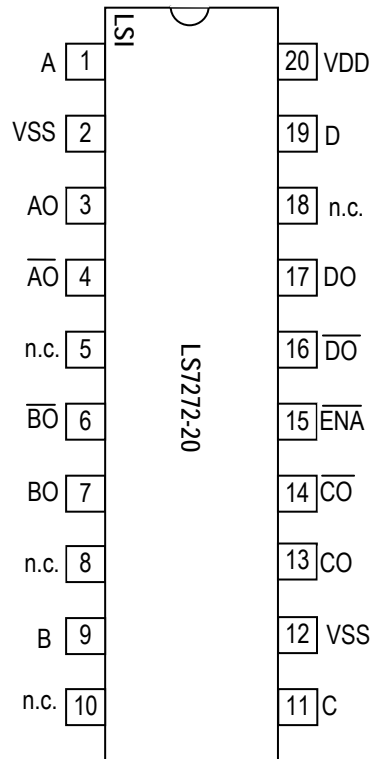


FIGURE 3

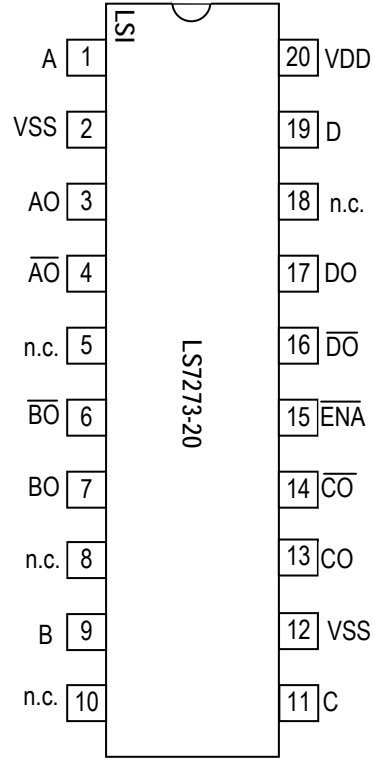


FIGURE 4

NOTE: LS7272-20 does not have $\overline{\text{OPD}}$ pin.

INPUT / OUTPUT DESCRIPTION:

A / B / C / D

These are CMOS / TTL data inputs that can also operate with input levels up to the V_{DD} power supply. All data input blocks contain hysteresis.

AO / BO / CO / DO / $\overline{\text{AO}}$ / $\overline{\text{BO}}$ / $\overline{\text{CO}}$ / $\overline{\text{DO}}$

These outputs can be selected to be push-pull or open-drain using the $\overline{\text{OPD}}$ input pin (LS7272 only). When in push-pull mode, outputs switch between V_{DD} and V_{SS} (Ground).

$\overline{\text{ENA}}$

A logic low on this CMOS / TTL compatible input enables the output drivers while logic high forces them into a high-impedance state. This input is also used to enable / disable the output short circuit thermal protection.

Applying a voltage between 7.5V and 12.5V to the $\overline{\text{ENA}}$ input will disable the thermal shutdown protection function. When using this feature, the Line Driver Outputs are enabled but no longer protected.

$\overline{\text{OPD}}$ (LS7272 only)

A logic low on this connects the outputs as open-drain drivers. If this input is left floating, the outputs are connected as push-pull drivers.

$\overline{\text{LOW}}$ (LS7273 only)

This pin must be tied low.

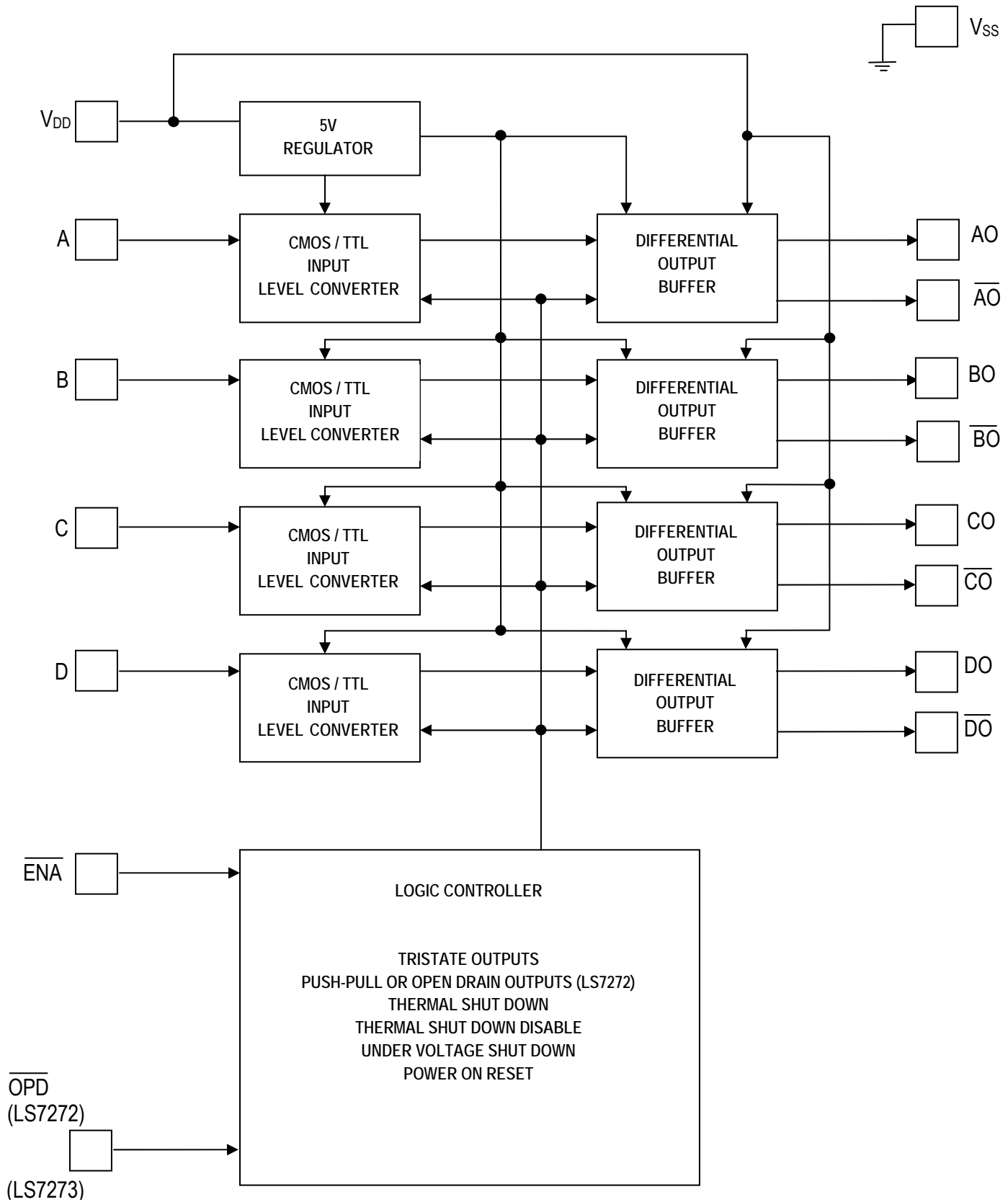


FIGURE 4 LS7272 / LS7273 BLOCK DIAGRAM

\overline{OPD}
(LS7272)
 \overline{OPD}
(LS7273)
 \overline{LOW}
Should be tied Low.

ABSOLUTE MAXIMUM RATINGS

Parameter	Symbol	Value	Unit
DC Supply Voltage	V_{DD}	36	V
Data Output Voltage	V_{OUT}	$V_{DD} + 0.3$	V (LS7272)
Data Output Voltage	V_{OUT}	4.5 to 36	V (LS7273)
Drive Output Current	I_{OUT}	1500 / 120	mA (pulse peak) / average
Data Input Voltage	V_{IND}	$V_{DD} + 0.3$	V
\overline{ENA} Input Voltage	V_{INE}	18	V
\overline{OPD} Input Voltage	V_{INO}	5	V (LS7272)
\overline{LOW} Input Voltage	V_{INL}	5	V (LS7273)
Operating Temperature	T_A	-55 to +125	°C
Storage Temperature	T_{STG}	-65 to +150	°C

RECOMMENDED OPERATING CONDITIONS

Parameter	Symbol	Value	Unit
DC Supply Voltage	V_{DD}	4.5 to 30	V
Data Input Voltage	V_{IND}	0 to V_{DD}	V
\overline{ENA} Input Voltage	V_{INE}	0 to 5.5	V
Data Output Voltage	V_{OUT}	0 to V_{DD}	V
Data Output Voltage	V_{OUT}	4.5 to 30	V (LS7273)
Data Output Current	I_{OUT}	100	mA
Operating Temperature	T_{OP}	-40 to +125	°C
\overline{OPD}	V_{INO}	0 to float	V (LS7272)
\overline{LOW}	V_{INL}	0	V (LS7273)

ELECTRICAL CHARACTERISTICS

(VDD = 12V, TA = 25°C, unless otherwise specified)

Parameter	Symbol	Min	Typ	Max	Unit	Conditions
Inputs:						
Data Input High-Threshold	V _{DH}	-	1.7	2.4	V	$\overline{\text{EN}}\overline{\text{A}} \leq 0.8\text{V}$
Data Input Low Threshold	V _{DL}	0.8	1.2	-	V	$\overline{\text{EN}}\overline{\text{A}} \leq 0.8\text{V}$
Data Input Hysteresis	V _{DHY}	-	0.5	-	V	$\overline{\text{EN}}\overline{\text{A}} \leq 0.8\text{V}$
$\overline{\text{EN}}\overline{\text{A}} / \overline{\text{OPD}}$ Input High-Threshold	V _{EH}	-	1.7	2.4	V	-
$\overline{\text{EN}}\overline{\text{A}} / \overline{\text{OPD}}$ Input Low-Threshold	V _{EL}	0.8	1.2	-	V	-
$\overline{\text{EN}}\overline{\text{A}} / \overline{\text{OPD}}$ Input Hysteresis	V _{EHY}	-	0.5	-	V	-
Inputs:						
Leakage Current	I _{LKG}	-5		+5	μA	
$\overline{\text{EN}}\overline{\text{A}}$	I _{ESO}	-	100		μA	$\overline{\text{EN}}\overline{\text{A}} = 12\text{V}$
$\overline{\text{OPD}}, \overline{\text{LOW}}$	I _{DSI}		-30	-	μA	$\overline{\text{OPD}}, \overline{\text{LOW}} = 0\text{V}$
Outputs:						
High-Level Output Voltage (LS7272 only)	V _{OH}		V _{DD} - 0.4		V	I _{LOAD} = 20mA, V _{DD} = 4.75V
	V _{OH}		V _{DD} - 0.6	-	V	I _{LOAD} = 30mA, V _{DD} = 30V
Output Resistance	R _{DSO}	-	20	-	Ω	I _{LOAD} = 30mA
Low Voltage Output Voltage	V _{OL}	-	0.3	-	V	I _{LOAD} = -20mA, V _{DD} = 4.75V
	V _{OL}	-	0.4	-	V	I _{LOAD} = -30mA, V _{DD} = 30V
High-Impedance Output						
Leakage Current (Outputs Disabled)	I _{OT}	-10		+10	μA	V _{DD} = 20V, 2.4V < $\overline{\text{EN}}\overline{\text{A}}$ < 7.5V
Reset:						
Power-On-Reset (POR)	V _{POR}	-	3.6	2.4	V	-
POR Hysteresis	V _{PORH}		0.1	-	V	-
POR Removal Time	T _{PORR}	-	5	-	μS	-
Over-Temperature Protection:						
Junction Temperature Operate Point	T _{JTO}		165		°C	
Junction Temperature Release Point	T _{JTR}	-	135		°C	
$\overline{\text{EN}}\overline{\text{A}}$ Input Protection Inhibit	V _{EPI}	7.0		12.5	V	

NOTE: $\overline{\text{EN}}\overline{\text{A}}$ input disables Outputs between 2.4V and 7.5V. $\overline{\text{EN}}\overline{\text{A}}$ input enables Outputs between 7.5V and 12V but disables Temperature Shutdown. $\overline{\text{EN}}\overline{\text{A}}$ input disables Outputs above 12V.

AC SWITCHING CHARACTERISTICS

(V_{DD} = 12V, T_A = 25°C, Load Capacitance = 1000 pF)

Parameter	Symbol	Min	Typ	Max	Unit	Conditions
Propagation delay from 50% point of input rising edge to zero crossing of differential outputs	T _{PLH}	-	105	150	ns	V _{DD} = 5V (LS7272 only)
		-	112	200	ns	V _{DD} = 12V (LS7272 only)
		-	135	250	ns	V _{DD} = 24V (LS7272 only)
Propagation delay from 50% point of input rising edge to zero crossing of differential outputs	T _{PHL}	-	105	150	ns	V _{DD} = 5V
		-	112	280	ns	V _{DD} = 12V
		-	135	330	ns	V _{DD} = 24V
Output Rise Time	T _R	-	64	125	ns	V _{DD} = 5V (LS7272 only)
		-	75	150	ns	V _{DD} = 12V (LS7272 only)
		-	98	175	ns	V _{DD} = 24V (LS7272 only)
Output Fall Time	T _F	-	65	125	ns	V _{DD} = 5V
		-	73	175	ns	V _{DD} = 12V
		-	101	250	ns	V _{DD} = 24V
$\overline{\text{ENA}}$ Enable Time	T _{ON}	-	60	200	ns	-
$\overline{\text{ENA}}$ Disable Time	T _{OFF}	-	80	200	ns	-

The information included herein is believed to be accurate and reliable. However, LSI Computer Systems, Inc. assumes no responsibilities for inaccuracies, or for any infringements of patent rights of others which may result from its use.