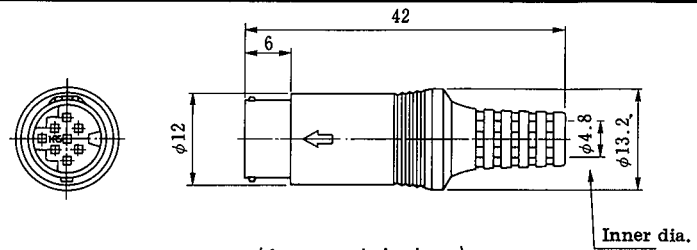
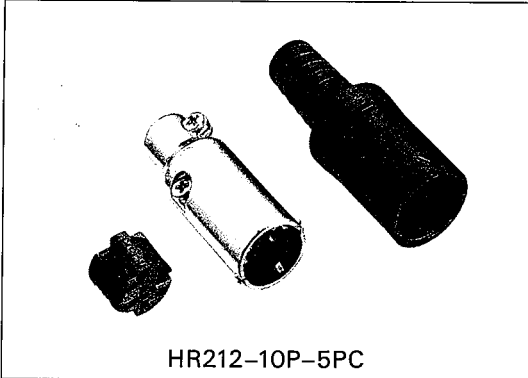


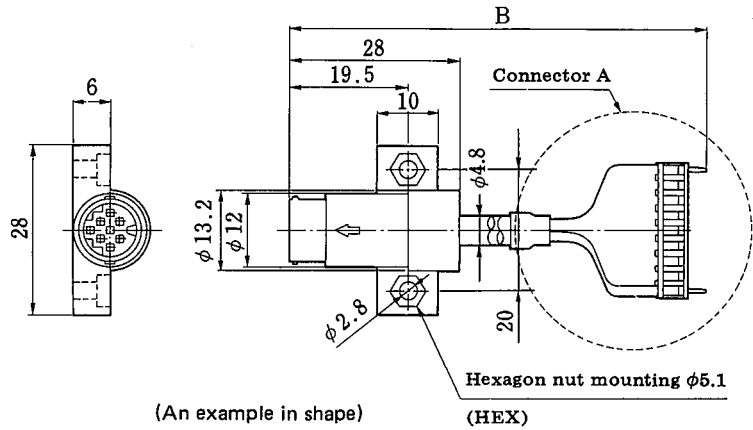
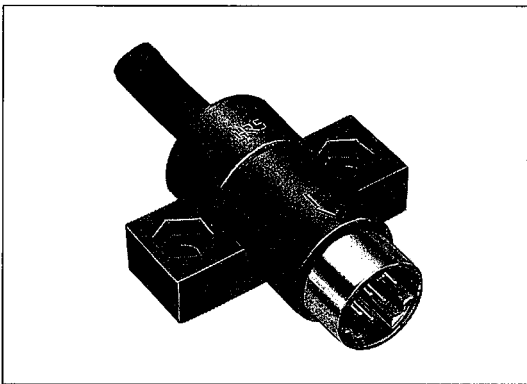
(Crimp Type)



(An example in shape)

HRS No.	Part No.	No. of pins	Remarks
112-4050-9	HR212-10P-5PC	5	
112-4051-1	HR212-10P-8PC	8	
112-4051-1-01	HR212-10P-8PC(01)	8	Color: Sand beige
112-4052-4	HR212-10P-10PC	10	
112-4052-4-01	HR212-10P-10PC(01)	10	Color: Sand beige

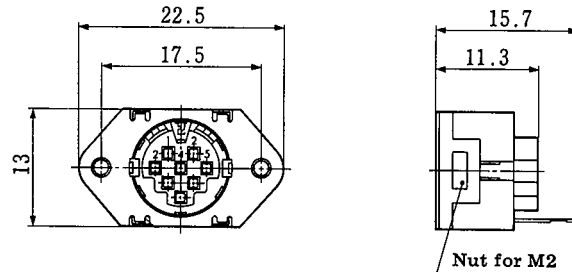
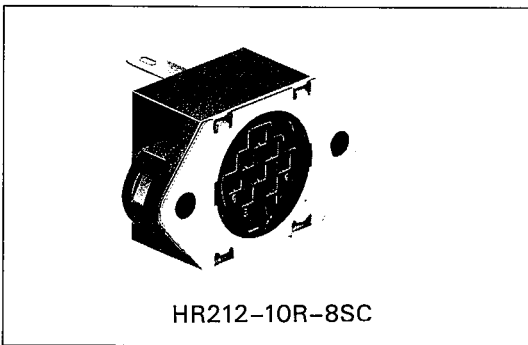
Plug Receptacle(with straight cable)



(An example in shape)

HRS No.	Part No.	No. of pins	Connector A	B	No. of cable cores	Remarks
112-2425-9	HR212G-10PB8PSAT82	8	DF2	90.2	8-cores (shielded)	Color: Sand beige Terminal: Selective gold plated

Receptacle (Crimp Type)



(An example in shape)

HRS No.	Part No.	No. of pins	Remarks
112-2001-2	HR212-10R-8SC	8	
112-2001-2-01	HR212-10R-8SC(01)	8	Color: Sand beige