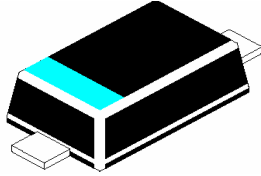


SILICON PLANAR ZENER DIODES

MMSZ4685 - MMSZ4717



**SOD-123
PLASTIC PACKAGE**

ABSOLUTE MAXIMUM RATINGS (T_a=25°C)

DESCRIPTION	SYMBOL	VALUE	UNIT
Power Dissipation at T _L =75°C	*P _{tot}	500	mW
Junction Temperature	T _J	150	°C
Storage Temperature Range	T _{stg}	- 55 to + 150	°C

*FR-4 or FR5 board with minimum recommended solder pad layout

Thermal Resistance Junction to Ambient Air	*R _{th(j-a)}	340	°C/W
--	-----------------------	-----	------

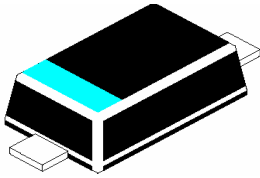
ELECTRICAL CHARACTERISTICS (T_a=25°C unless specified otherwise)

Forward Voltage at I_F=10mA V_F <0.9 V Tolerance +/- 5%

Type	**Zener Voltage V _Z (V) at I _{ZT} =50mA			Max Reverse Leakage Current I _R mA	Test Voltage V _R V	Marking Code
	Nom V	Min V	Max V			
MMSZ4685	3.6	3.42	3.78	7.5	2.0	CM
MMSZ4686	3.9	3.71	4.10	5.0	2.0	CN
MMSZ4687	4.3	4.09	4.52	4.0	2.0	CP
MMSZ4688	4.7	4.47	4.94	10	3.0	CT
MMSZ4689	5.1	4.85	5.36	10	3.0	CU
MMSZ4690	5.6	5.32	5.88	10	4.0	CV
MMSZ4691	6.2	5.89	6.51	10	5.0	CA
MMSZ4692	6.8	6.46	7.14	10	5.1	CX
MMSZ4693	7.5	7.13	7.88	10	5.7	CY
MMSZ4694	8.2	7.79	8.61	1.0	6.2	CZ
MMSZ4695	8.7	8.27	9.14	1.0	6.6	DC
MMSZ4696	9.1	8.65	9.56	1.0	6.9	DD
MMSZ4697	10	9.50	10.50	1.0	7.6	DE
MMSZ4698	11	10.50	11.60	0.05	8.4	DF
MMSZ4699	12	11.40	12.60	0.05	9.1	DH
MMSZ4700	13	12.40	13.70	0.05	9.8	DJ
MMSZ4701	14	13.30	14.70	0.05	10.6	DK
MMSZ4702	15	14.30	15.80	0.05	11.4	DM
MMSZ4703	16	15.20	16.80	0.05	12.1	DN
MMSZ4704	17	16.20	17.90	0.05	12.9	DP

**Measured with device junction in thermal equilibrium

MMSZ4685_4717Rev090507E



SOD-123
PLASTIC PACKAGE

ELECTRICAL CHARACTERISTICS ($T_a=25^\circ\text{C}$ unless specified otherwise)

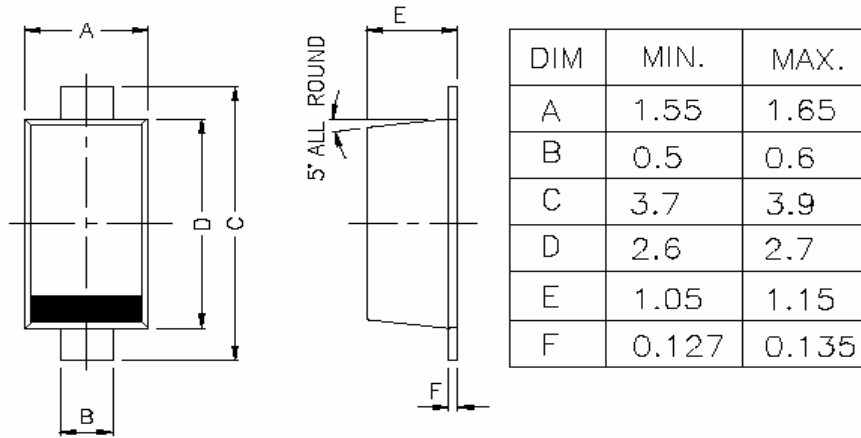
Forward Voltage at $I_F=10\text{mA}$ $V_F < 0.9$ V Tolerance +/- 5%

Type	**Zener Voltage V_Z (V) at $I_{ZT}=50\text{mA}$			Max Reverse Leakage Current I_R mA	Test Voltage V_R V	Marking code
	Nom	Min	Max			
	V	V	V			
MMSZ4705	18	17.10	18.90	0.05	13.6	DT
MMSZ4706	19	18.10	20.00	0.05	14.4	DU
MMSZ4707	20	19.00	21.00	0.01	15.2	DV
MMSZ4708	22	20.90	23.10	0.01	16.7	DA
MMSZ4709	24	22.80	25.20	0.01	18.2	DZ
MMSZ4710	25	23.80	26.30	0.01	19.0	DY
MMSZ4711	27	25.70	28.40	0.01	20.4	EA
MMSZ4712	28	26.60	29.40	0.01	21.2	EC
MMSZ4713	30	28.50	31.50	0.01	22.8	ED
MMSZ4714	33	31.40	34.70	0.01	25.0	EE
MMSZ4715	36	34.20	37.80	0.01	27.3	EF
MMSZ4716	39	37.10	41.00	0.01	29.6	EH
MMSZ4717	43	40.90	45.20	0.01	32.6	EJ

**Measured with device junction in thermal equilibrium

MMSZ4685_4717Rev090507E

PACKAGE SOD-123 FL



All dimensions are in mm
CATHODE IS MARKED BY BAND

Component Disposal Instructions

1. CDIL Semiconductor Devices are RoHS compliant, customers are requested to please dispose as per prevailing Environmental Legislation of their Country.
2. In Europe, please dispose as per EU Directive 2002/96/EC on Waste Electrical and Electronic Equipment (WEEE).

Disclaimer

The product information and the selection guides facilitate selection of the CDIL's Semiconductor Device(s) best suited for application in your product(s) as per your requirement. It is recommended that you completely review our Data Sheet(s) so as to confirm that the Device(s) meet functionality parameters for your application. The information furnished in the Data Sheet and on the CDIL Web Site/CD are believed to be accurate and reliable. CDIL however, does not assume responsibility for inaccuracies or incomplete information. Furthermore, CDIL does not assume liability whatsoever, arising out of the application or use of any CDIL product; neither does it convey any license under its patent rights nor rights of others. These products are not designed for use in life saving/support appliances or systems. CDIL customers selling these products (either as individual Semiconductor Devices or incorporated in their end products), in any life saving/support appliances or systems or applications do so at their own risk and CDIL will not be responsible for any damages resulting from such sale(s).

CDIL strives for continuous improvement and reserves the right to change the specifications of its products without prior notice.



CDIL is a registered Trademark of
Continental Device India Limited
C-120 Naraina Industrial Area, New Delhi 110 028, India.
Telephone + 91-11-2579 6150, 4141 1112 Fax + 91-11-2579 5290, 4141 1119
email@cdil.com www.cdilsemi.com

MMSZ4685_4717Rev090507E