



*Features*


- ✧ For RF SAW filter
- ✧ Single-ended operation
- ✧ Ceramic Surface Mount Package
- ✧ Small size
- ✧ No matching required for operation at 50Ω
- ✧ RoHS compliant (2002/95/EC), Pb-free

*Specifications*

Parameter	Unit	Minimum	Typical	Maximum	
<i>Center Frequency</i>	MHz	-	415	-	
<i>Insertion Loss(400~430MHz)</i>	dB	-	1.7	2.7	
<i>Passband Variation(400~430MHz)</i>	dB	-	0.7	1.3	
<i>VSWR(400~430MHz)</i>	-	-	1.9/1.7	2.1	
<i>Group Delay Variation(400~430MHz)</i>	nsec	-	20	40	
<i>Attenuation</i>	<i>10~345MHz</i>	dB	25	26	-
	<i>345~390MHz</i>	dB	9	12	-
	<i>440~470MHz</i>	dB	4	7	-
	<i>470~480MHz</i>	dB	25	29	-
	<i>480~561MHz</i>	dB	27	28	-
	<i>561~593MHz</i>	dB	24	25	-
	<i>593~950MHz</i>	dB	21	22	-
	<i>950~2000MHz</i>	dB	13	25	-
	<i>2000~2500MHz</i>	dB	5	14	-
<i>Material Temperature coefficient</i>	KHz/°C		-28.2		
<i>Substrate Material</i>	-		41LN		
<i>Ambient Temperature</i>	°C		25		
<i>Operating Temperature Range</i>	°C		25		
<i>Storage Temperature Range</i>	°C	-40	-	+85	
<i>DC Voltage</i>	V		0		
<i>Input Power</i>	dBm	-	-	10	
<i>ESD Class</i>	-		1A		
<i>Package Size</i>		SMD3.8*3.8			

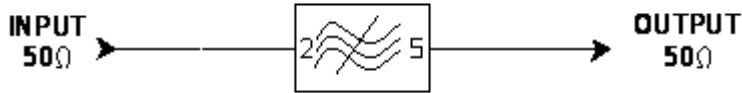
**Notes:**

1. All specifications are based on the test circuit shown;
2. In production, all specifications are measured by Agilent Network analyzer and full 2 port calibration at room temperature;
3. Electrical margin has been built into the design to account for the variations due to temperature drift and manufacturing tolerances;
4. This is the optimum impedance in order to achieve the performance show.

	<b>SIPAT Co., Ltd.</b> ( CETC No.26 Research Institute ) #14 Nanping Huayuan Road, Chongqing, China, 400060	Part Number	LBN41505	
		Rev. Date	2011-07-08	
		Ver.	1.0	Page

### Matching Configuration

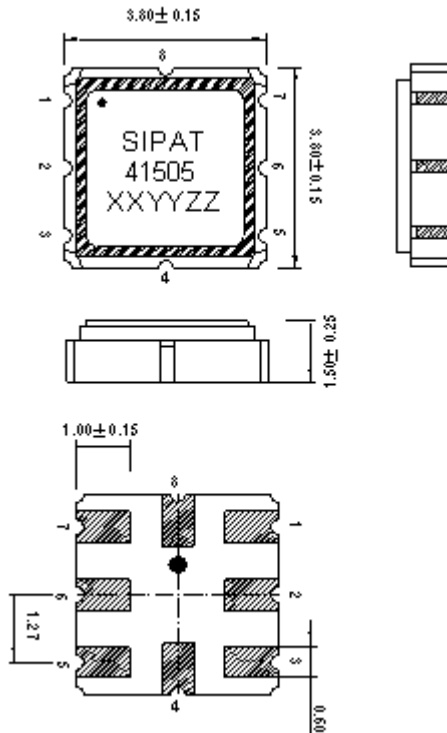
手动测试座



**Source/Load Impedance=50 ohm**

Notes - Component values may change depending on board layout.

### Package Dimension



#### Pad Configuration:

Input: 2  
Output: 5  
Ground: 1,3,4,6,7,8

#### Marking Configuration:

- 1) •: Pad Number 1 Index
- 2) SIPAT: Manufacturer Name
- 3) 41505: Part Number
- 4) XXYY: Date(Year/month)
- 5) ZZ: Identified Code

**Package: SMD3.8\*3.8**

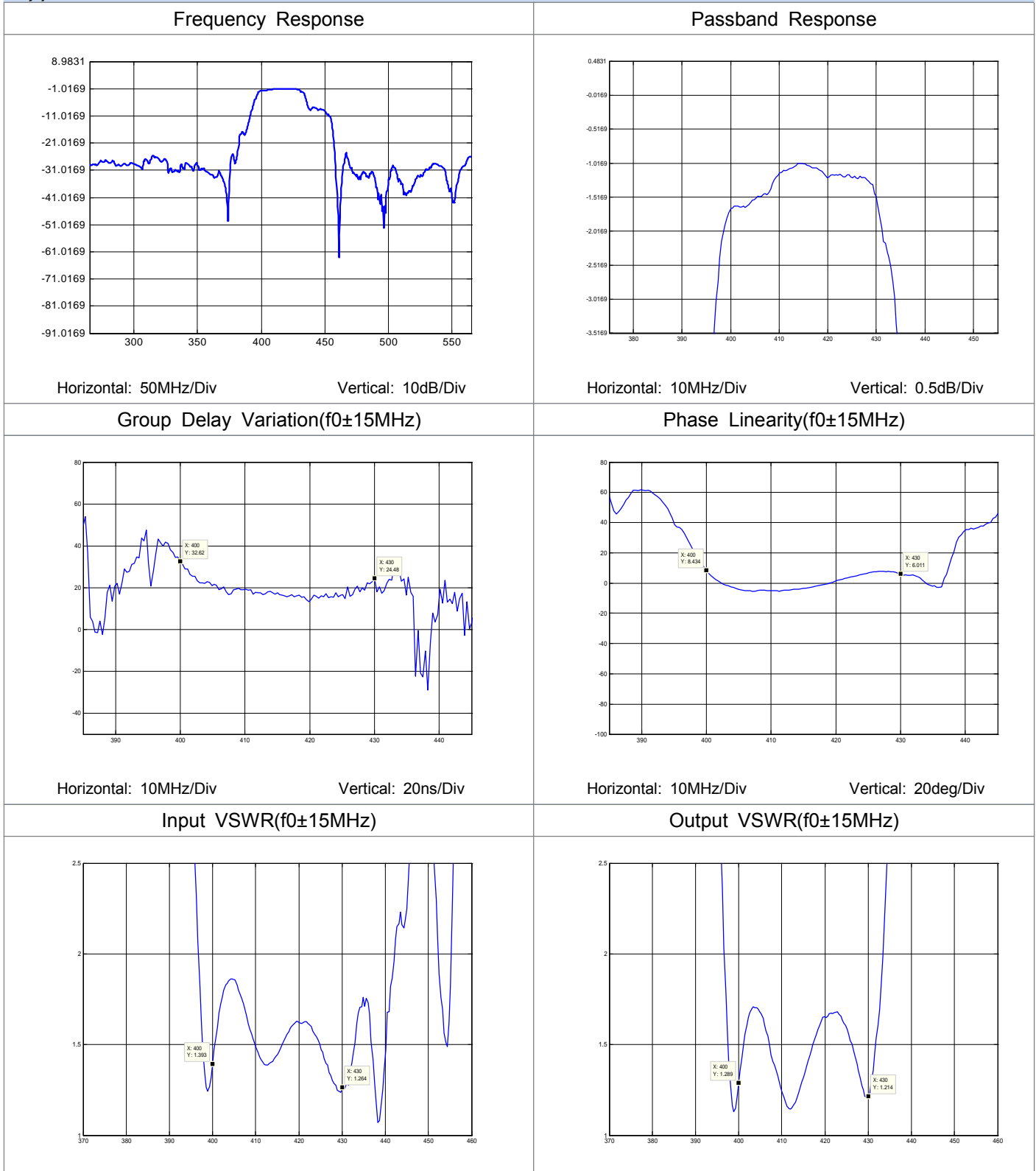
**Unit: mm**



**SIPAT Co., Ltd.**  
( CETC No.26 Research Institute )  
#14 Nanping Huayuan Road,  
Chongqing, China, 400060

Part Number	LBN41505	
Rev. Date	2011-07-08	
Ver.	1.0	Page 2/3

*Typical Performance*



**SIPAT Co., Ltd.**  
( CETC No.26 Research Institute )  
#14 Nanping Huayuan Road,  
Chongqing, China, 400060

Part Number	LBN41505	
Rev. Date	2011-07-08	
Ver.	1.0	Page 3/3