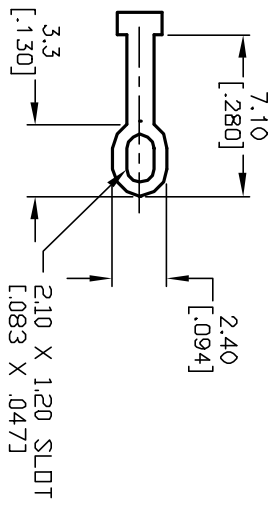
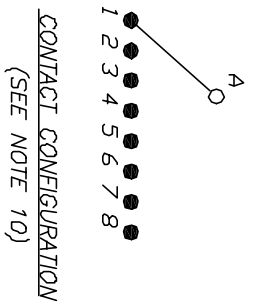
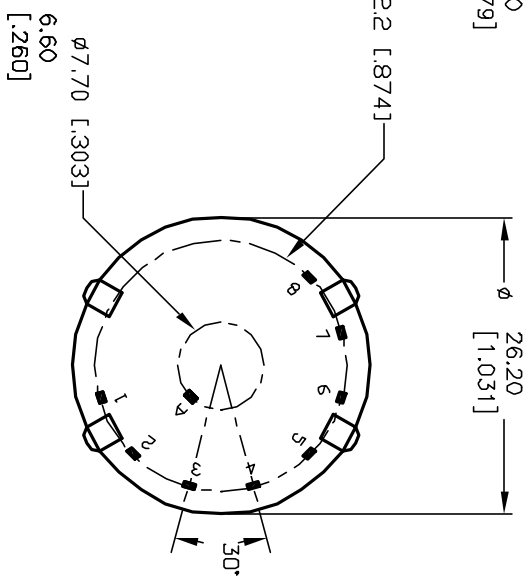
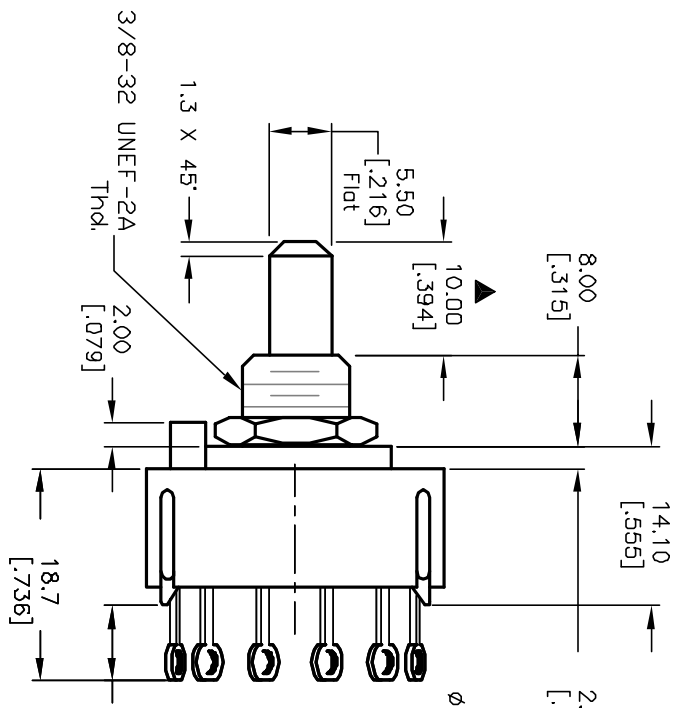
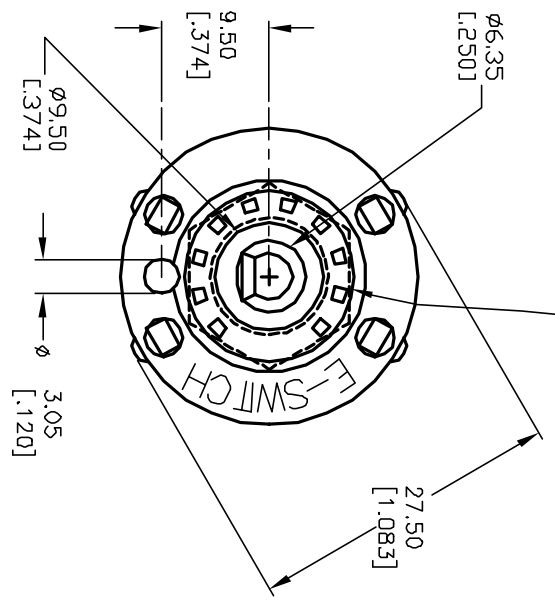


▲ HARDWARE SUPPLIED
ON SWITCH



NOTES:

1. ALL DIMENSION IN MM [INCH]
2. GENERAL TOLERANCE: X.X=±0.4
X.XX=±0.25
3. TERM. NOS. FOR REF. ONLY
4. CONTACT RATING SWITCHING: 150mA, 250V AC/DC
350mA, 110V AC/DC
5. OPERATING FORCE: 425±100 CM/STANDARD
6. OPERATING TEMP: -30° to 85°C
- ▲ 7. CIRCUIT SP: 8 POSITIONS, 30° INDEX.
- ▲ 8. DIELECTRIC STRENGTH: 1000V RMS min. @Sea Level
- ▲ 9. TIMING: BBM (Non-Shorting) Break Before Make.
- ▲ 10. HARDWARE SUPPLIED ON SWITCH— SEE BELOW
STOP RING, LOCKWASHER, & HEXNUT
11. ▲ DENOTES CRITICAL PARAMETER.

A		13083	RELEASED FOR PRODUCTION	4/24/03	AR	TITLE	
REV.	ECN No.	DESCRIPTION		DATE	CHKD	KC18A10.001NLS	
<p>THE INFORMATION CONTAINED IN THIS DOCUMENT IS PROPRIETARY TO E-SWITCH AND IS NOT TO BE COPIED OR TRANSFERRED</p>							
SCALE	1.5:1	DATE	4/24/03	DR	AR	DWG	G530158
REV	A						

E-SWITCH®