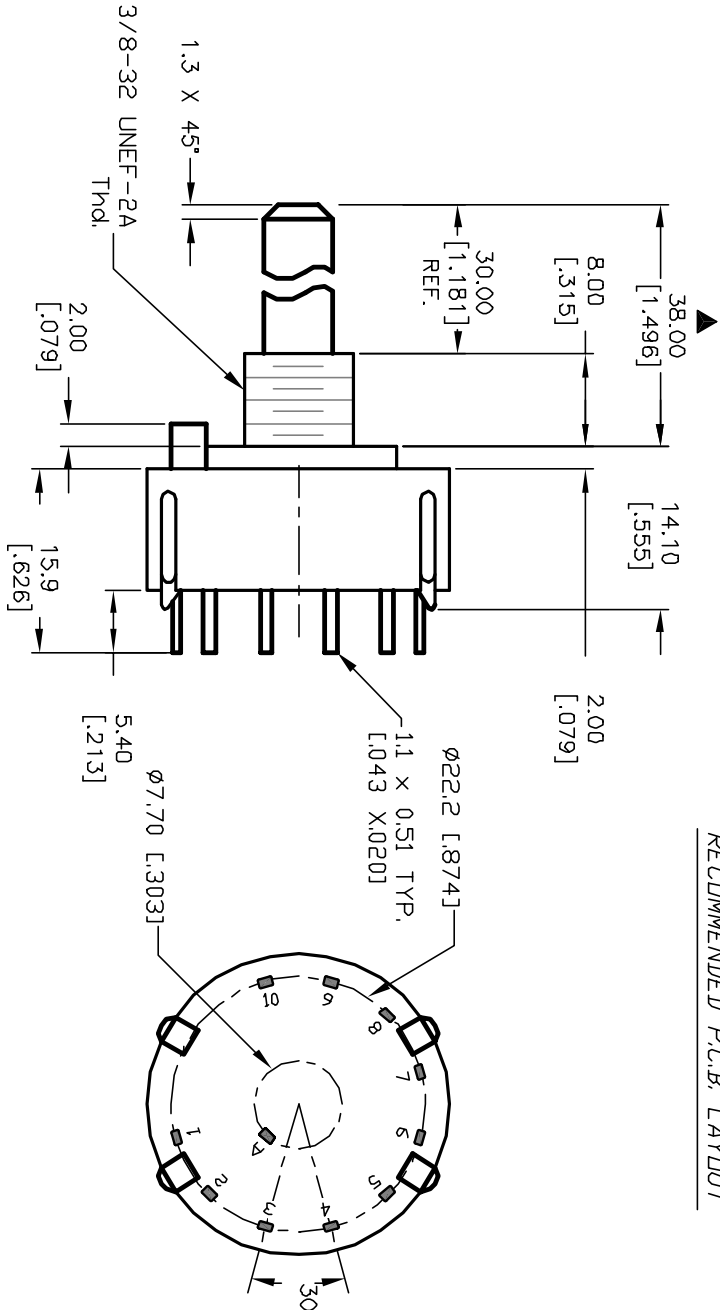
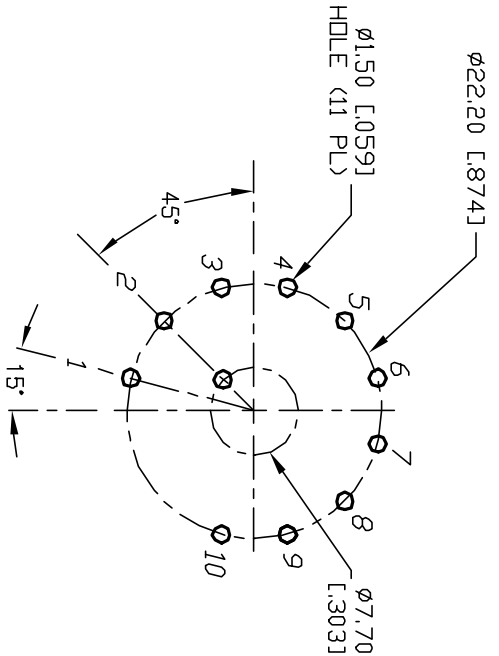
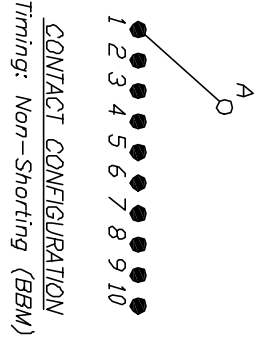
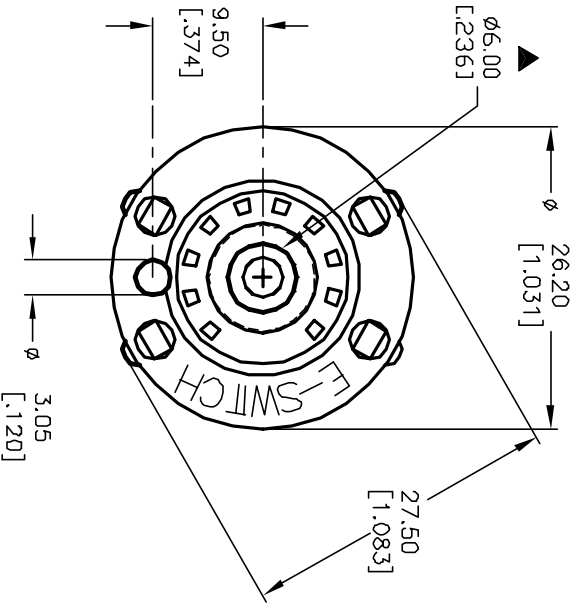


- NOTES:
1. ALL DIMENSION IN MM [INCH]
  2. GENERAL TOLERANCE: X.X=±0.4  
X.XX=±0.25
  3. TERM. NOS. FOR REF. ONLY
  4. CONTACT RATING SWITCHING: 150mA, 250V AC/DC  
350mA, 110V AC/DC
  5. CONTACT RATING (NON-SWITCHING) 5A
  6. OPERATING FORCE: 425±100 CM/STANDARD
  7. OPERATING TEMP: -30° to 85°C
  8. CIRCUIT SP: 10 POSITIONS, 30° INDEX.
  9. DIELECTRIC STRENGTH 1000V RMS min. @ SEA LEVEL
  10. DESIGNATE MAJOR DIMENSIONS
  11. SUPPLIED LOCK NUT AND WASHER (NOT SHOWN).



B		RELEASED FOR PRODUCTION		TITLE		SCALE		DATE		DR		DWG		REV		
A	12433	DESCRIPTION		9/19/02	KC-50-B-(30.0mm)01-N-P-S		1.5:1	3/7/01	CJB	DWG	G530106	A				
REV.	ECN No.	DATE		CHKD	DATE		SCALE		DATE		DR		DWG		REV	

**E-SWITCH®**

THE INFORMATION CONTAINED IN THIS DOCUMENT IS PROPRIETARY TO E-SWITCH AND IS NOT TO BE COPIED OR TRANSFERRED